

SPEAKMAN®

SE-693-ADA

COMBINATION SHOWER & EYE WASH

DESCRIPTION

The SE-693-ADA Safe-T-Zone® features an eyewash with dual aerated spray outlets, flip top dust caps and round bowl combined on a powder coated galvanized steel stanchion with an impeller action deluge showerhead which is activated by a high visibility yellow pull rod. Unit designed for ADA accessibility.

SPECIFICATIONS

Showerhead: 8" Cylolac® yellow plastic

Flow Control: Internal 20 gpm regulator

Valve: 1" NPT female brass, chrome plated.

Full flow stay open ball valve.

Activator: Extended powder coated yellow, aluminum triangular pull rod

Stanchion: 1¼" IPS galvanized steel piping with brass fittings

Inlet & Waste: 1¼" NPT female

Finish: Dura Jade powder coated finish

Performance: 20 gpm @ 20 psi

EYE WASH: SE-582

Bowl: 300 series stainless steel

Spray Heads: (2) aerated yellow ABS plastic spray outlets with flip-top dust caps

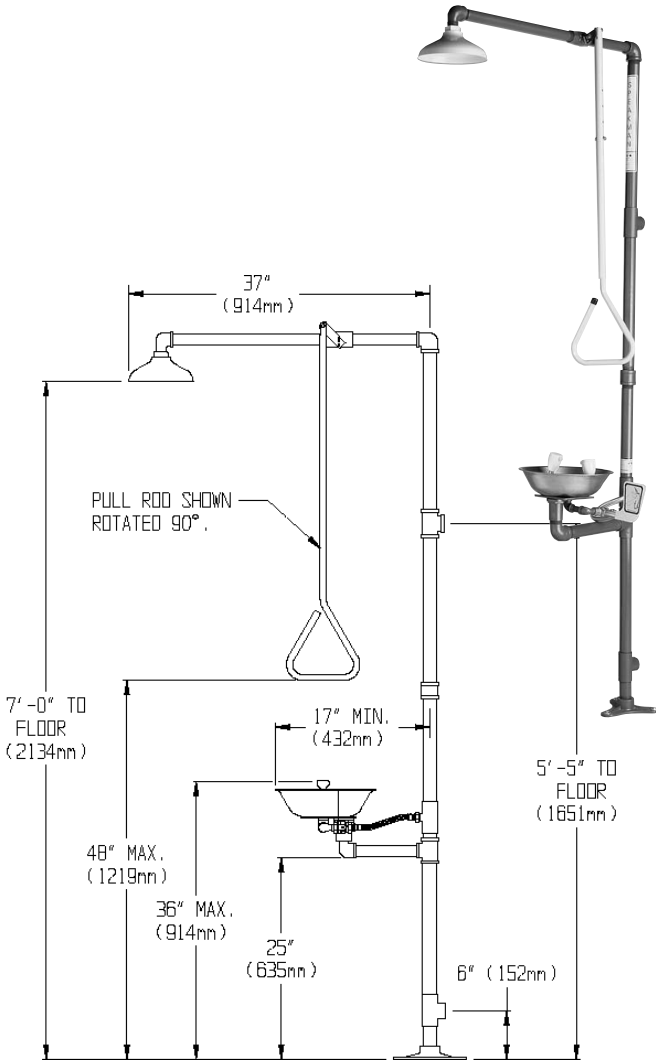
Valve: ½" NPT female brass, chrome plated full flow stay-open ball valve

Activator: Stainless steel push handle

Performance: 3.6 gpm @ 30 psi

Compliance: ANSI Z358.1

Universal Emergency Sign Included



OPTIONS

- FPV Freeze protection valve
- SPV Scald protection valve
- FLW Flow switch
- HS Hand held spray
- TS Top supply
- SSH Stainless steel showerhead
- SXPR Extended stainless steel pull rod
- SSBV Stainless steel ball valves
- BH Chrome plated brass showerhead

Job Name _____
Location _____
Architect/Engineer _____
Sales Representative _____
Wholesaler _____
Date _____ Model # _____