

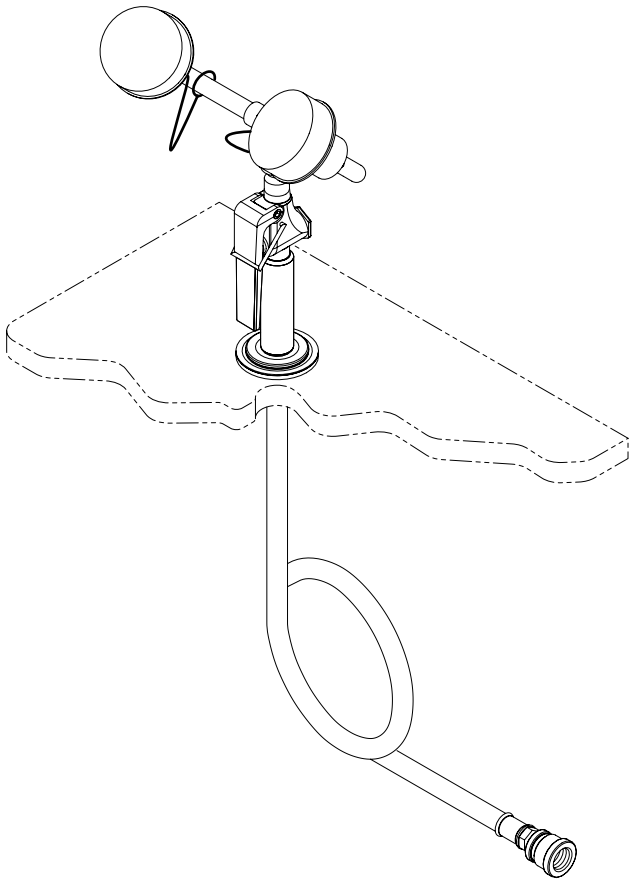
# Installation

## S19-465EFW

### Deck-Mounted Hand-Held Drench Hose

#### Table of Contents

Pre-Installation Information .....	2
Installation Instructions .....	3
Assembly of Components .....	4
Parts List .....	4



## Pre-Installation Information

### Operation

Water flows when the handle on the valve is squeezed and remains open while squeezed.

### Components

**Sprayhead:** Perforated sprayhead provides soft spray for cleansing eyes and face. The integral flow control assures safe, steady flow under varying water supply conditions from 30-90 PSI. *NOTE: The ANSI Z358.1 standard requires an uninterrupted supply of flushing fluid at a minimum 30 PSI flow pressure.*

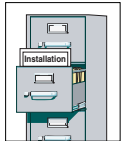
**Drench Hose:** The 8' (2438mm) hose has a 3/8" IPS male thread with a removable 1/2" x 3/8" female reducing coupling.

### Supplies Required

- 1/2" IPS water supply
- Sign-mounting hardware
- Backflow prevention device as required by UPC, IPC and/or local plumbing codes



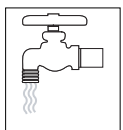
## WARNING



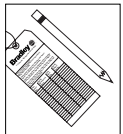
Read this installation manual completely to ensure proper installation, then file it with the owner or maintenance department. Compliance and conformity to drain requirements and other local codes and ordinances is the responsibility of the installer.



Separate parts from packaging and make sure all parts are accounted for before discarding any packaging material. If any parts are missing, do not begin installation until you obtain the missing parts.



Flush the water supply lines before beginning installation and after installation is complete. Test the unit for leaks and adequate water flow. Main water supply to the eyewash should be "ON" at all times. Provisions shall be made to prevent unauthorized shutoff. Flushing fluid should be tepid per ANSI Z358.1.



The inspection and testing results of this equipment should be recorded weekly to verify proper operation. This equipment should be inspected annually to ensure compliance with ANSI Z358.1.



Workers who may come in contact with potentially hazardous materials should be trained regarding the placement and proper operation of emergency equipment per ANSI Z358.1.



For questions regarding the operation or installation of this product, visit [www.bradleycorp.com](http://www.bradleycorp.com) or call 1-800-BRADLEY.

Product warranties may also be found under "Product Information" on our web site at [www.bradleycorp.com](http://www.bradleycorp.com).

## Installation Instructions

### Step 1: Prepare deck for installation

1. Rough-in 1/2" IPS supply piping from wall where drench hose is desired (piping supplied by installer).
2. Select desired location in deck for drench hose and drill a 1-5/16" (34mm) diameter hole.
3. Install the drain plug using the washers and locknut provided (see Figure 2 and the parts list, page 4).

### Step 2: Install drench hose

1. Install the drench hose assembly as shown in Figure 2 on page 4.

### Step 3: Connect water supply

1. Connect the end of the drench hose to the 1/2" IPS water supply.
2. Mount the safety sign to the wall using the sign-mounting hardware supplied by installer.
3. Open the water supply line. Test for leaks and adequate water flow.

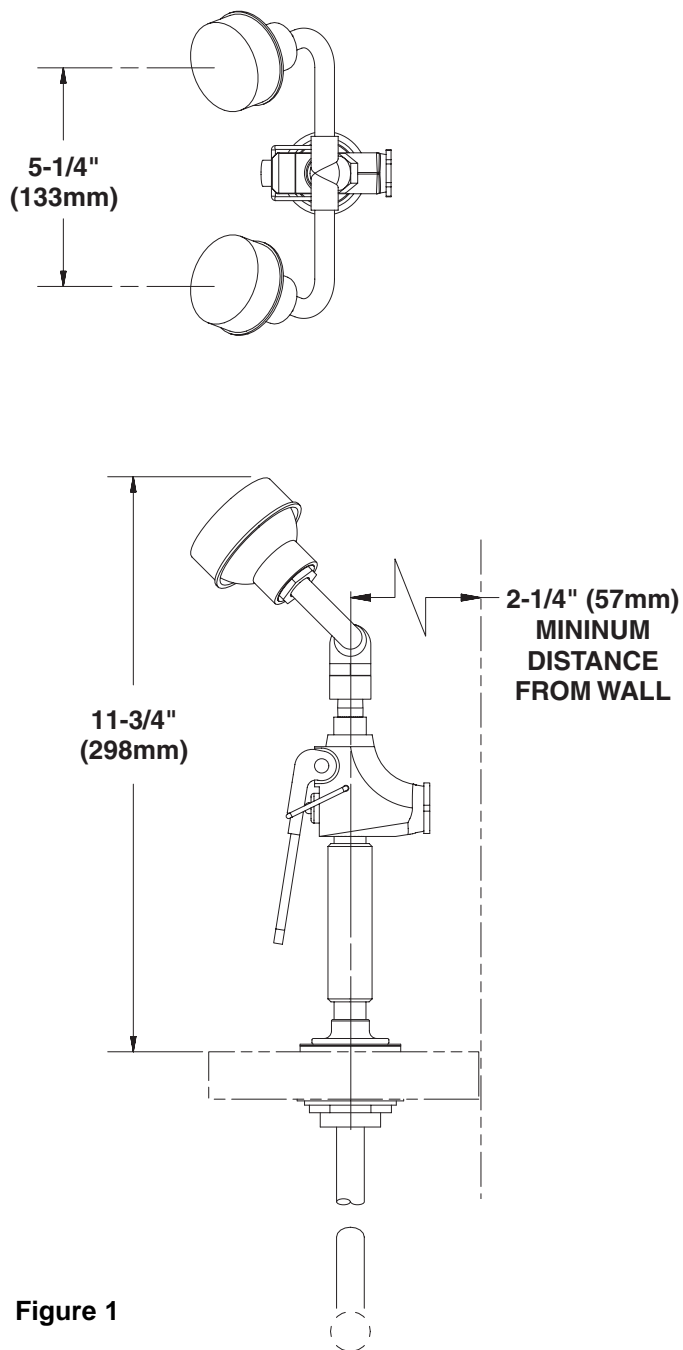


Figure 1

# Assembly of Components and Parts List

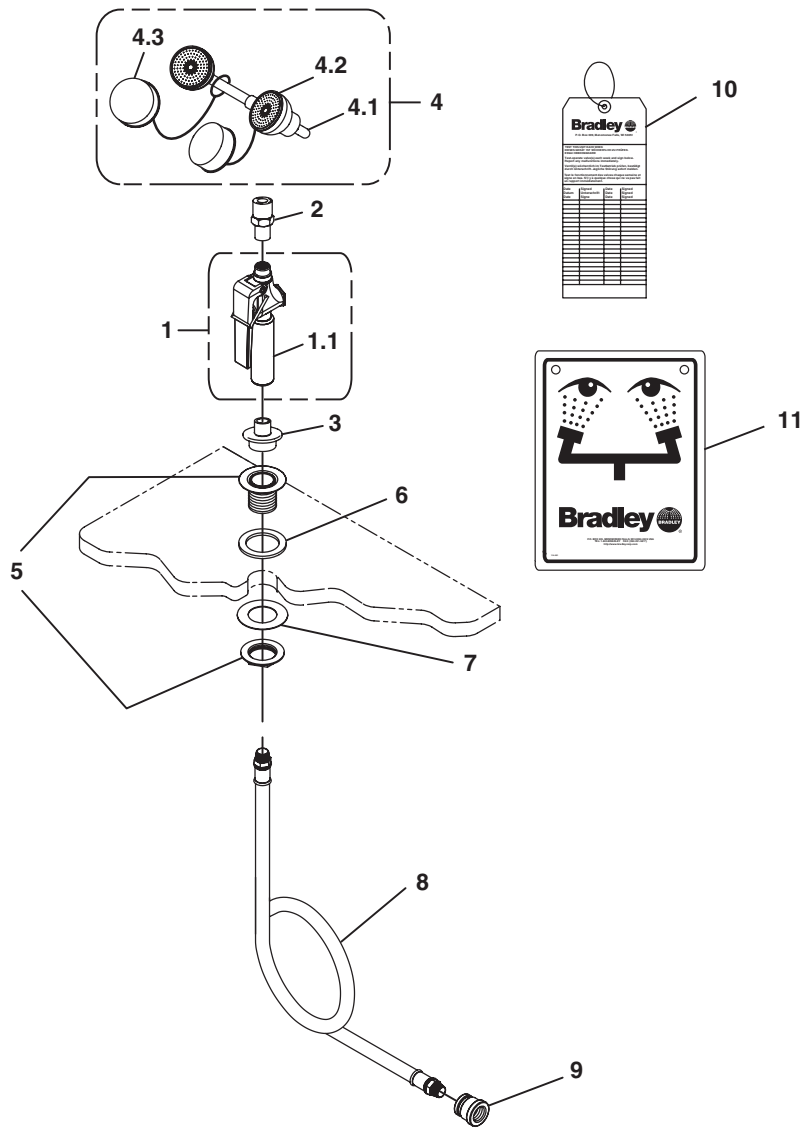


Figure 2

Item	Part No.	Qty	Description	Item	Part No.	Qty	Description
1	S27-265	1	Valve Assembly	5	S29-092	1	Drain Flange Assembly
1.1	269-661	1	Valve Handle only	6	125-001CE	1	Washer, Rubber
2	153-337	1	Adapter	7	169-875	1	Washer
3	153-380	1	Adapter	8	S89-002	1	3/8" Yellow Tube
4	S05-148	1	Sprayhead Assembly	9	169-059	1	Reducing Coupling
4.1	S05-147	1	Angled EFW Assembly	10	204-421	1	Emergency Tag
4.2	S05-135	2	Sprayhead	11	114-051	1	Safety Sign
4.3	S53-063	2	Dust Cover				