

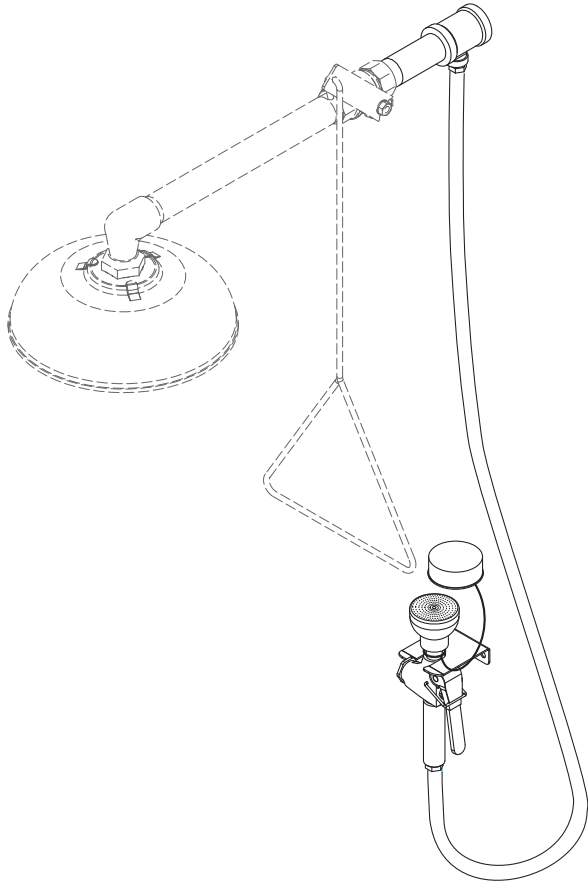
Installation

S19-430SH

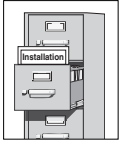
Drench Hose Spray Kit for Drench Showers or Combination Units

Table of Contents

Pre-Installation Information	2
Installation Instructions	3
Assembly of Components and Parts List	4



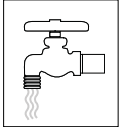
⚠ WARNING ⚠



Read this installation manual completely to ensure proper installation, then file it with the owner or maintenance department. Compliance and conformity to drain requirements and other local codes and ordinances is the responsibility of the installer.



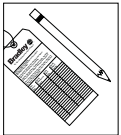
Separate parts from packaging and make sure all parts are accounted for before discarding any packaging material. If any parts are missing, do not begin installation until you obtain the missing parts.



Flush the water supply lines before beginning installation and after installation is complete. Test the unit for leaks and adequate water flow. Main water supply to the eyewash should be "ON" at all times. Provisions shall be made to prevent unauthorized shutoff.



The ANSI Z358.1 standard requires an uninterrupted supply of flushing fluid at a minimum 30 PSI (0.21 MPa) flowing pressure. Flushing fluid should be tepid per ANSI Z358.1.



The inspection and testing results of this equipment should be recorded weekly to verify proper operation. This equipment should be inspected annually to ensure compliance with ANSI Z358.1.



Workers who may come in contact with potentially hazardous materials should be trained regarding the placement and proper operation of emergency equipment per ANSI Z358.1.



For questions regarding the operation or installation of this product, visit www.bradleycorp.com or call 1-800-BRADLEY.

Product warranties may also be found under "Product Information" on our web site at www.bradleycorp.com.

Installation

Supplies Required:

- Pipe sealant
- 6" pipe (1" NPT) for horizontal drench shower
- **OPTIONAL:** Hardware to mount bracket to wall

NOTE: Close water supply before adding hose assembly.

NOTE: Apply pipe sealant or tape (supplied by installer) to all male-threaded pipe joints.

NOTE: Use a strap wrench around the yellow pipes to prevent marring.

For Drench Shower Units

1. Connect the pipe nipple and the pipe tee to the drench shower (see Figure 1).
2. Connect a 6" pipe (1" NPT, supplied by installer) to the tee.
3. Connect 1" NPT water supply piping to the 6" pipe.
4. Mount the bracket to piping (with hardware provided) or the wall (with hardware supplied by installer).
5. Open water supply lines. Test for leaks and adequate water flow.

For Combination Units

1. Connect the pipe nipple and the pipe tee between the drench shower valve and the pipe (see Figure 2).
2. Mount the bracket to piping (with hardware provided) or the wall (with hardware supplied by installer).
3. Open water supply lines. Test for leaks and adequate water flow.

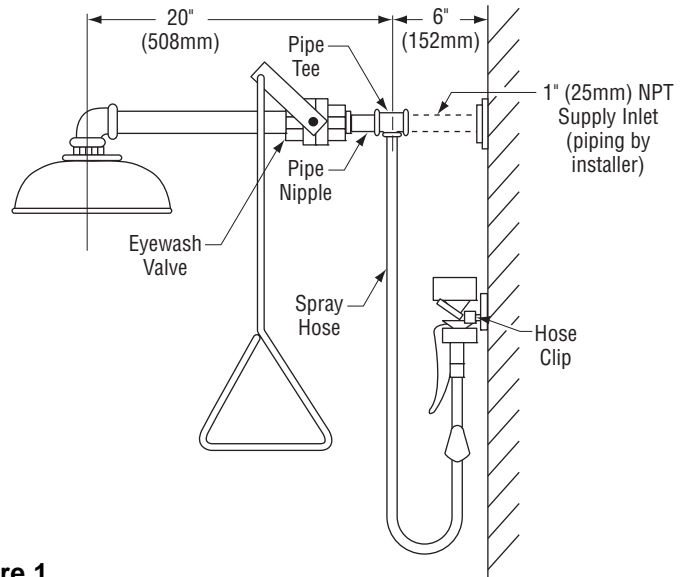


Figure 1

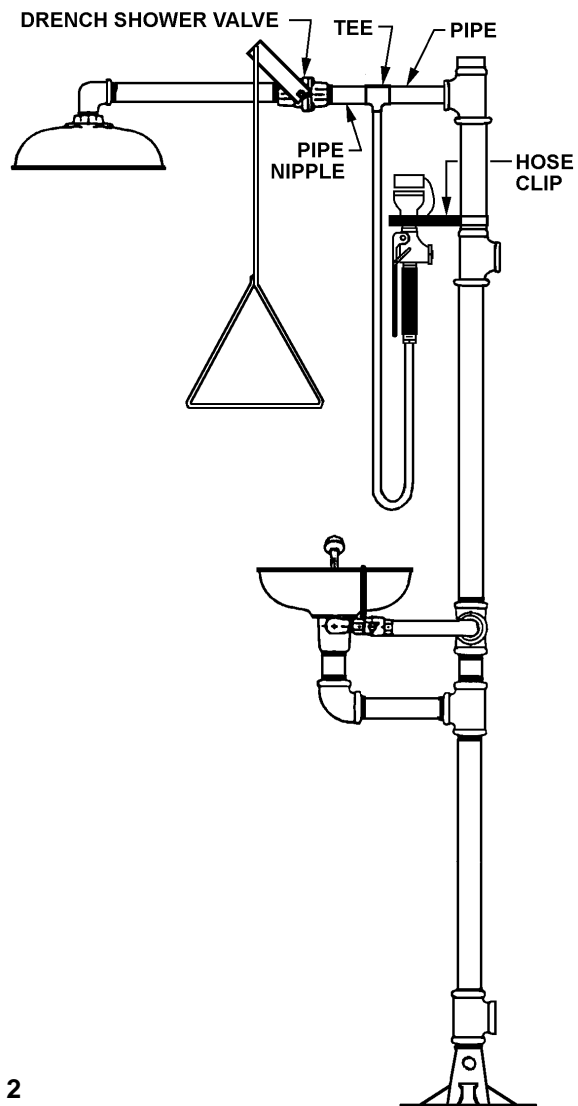


Figure 2

Assembly of Components

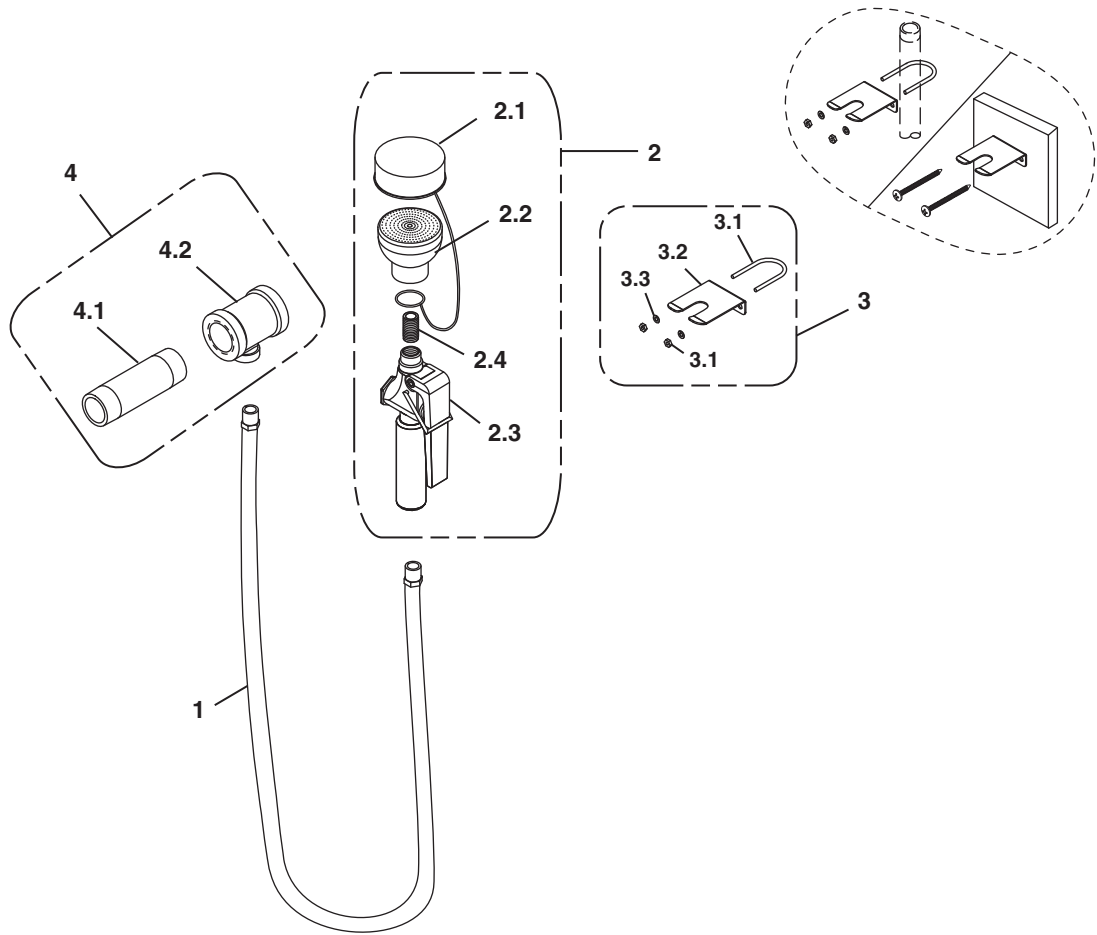


Figure 3

Parts List

Item	Part No.	Qty.	Description	Item	Part No.	Qty.	Description
1	S89-002	1	Yellow Tube 3/8"	3	S45-831	1	Clip Prepack
	S89-003	1	Stainless Steel Hose	3.1	269-681	1	U-Bolt with Nuts
2	S19-787	1	Hand-Held Hose	3.2	140-601	1	Bracket - Wall
2.1	S53-063	1	Dust Cover	3.3	142-002BS	2	Lockwasher
2.2	S05-158	1	Sprayhead	4	S45-317	1	Hose Fitting Prepack
2.3	S27-265	1	Valve	4.1	113-006MJ	1	Pipe Nipple
2.4	113-544A	1	EFW Adapter	4.2	169-880	1	Pipe Tee Reducer