

# Guardian

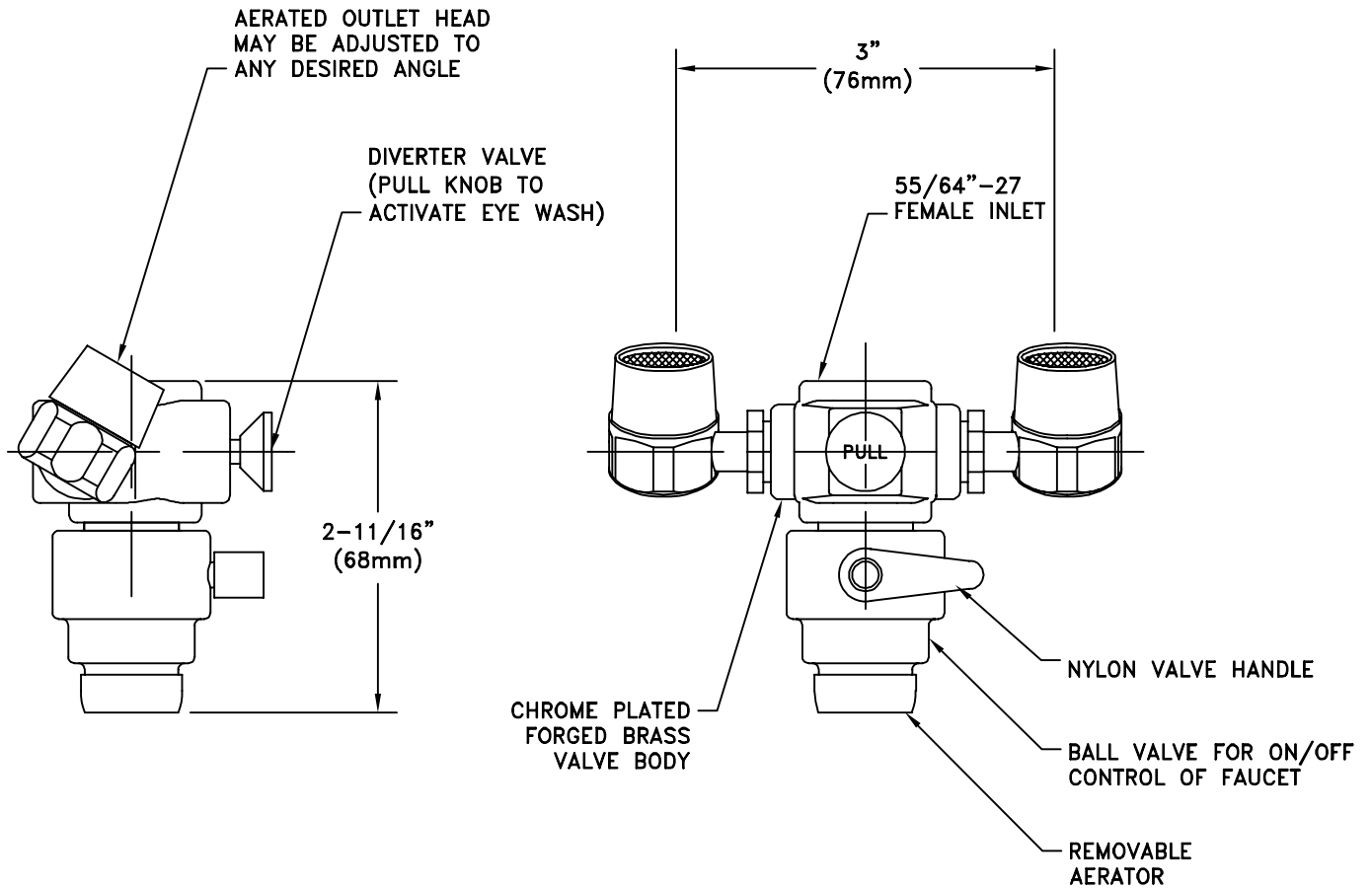
EMERGENCY EYEWASH & SHOWER TECHNOLOGY

Guardian Equipment  
1140 N North Branch St  
Chicago, IL 60642

312 447 8100 TELEPHONE  
312 447 8101 FACSIMILE  
gesafety.com

## G1200

EYESAFE FAUCET-MOUNTED EYE WASH, ADJUSTABLE AERATED OUTLET HEADS,  
ON/OFF BALL VALVE ON OUTLET



15/16" - 27 ADAPTOR



13/16" - 27 ADAPTOR



3/8" NPS ADAPTOR

### NOTES:

1. USE COLD OR WARM WATER ONLY WITH FAUCET-MOUNTED EYE WASH.

UNITS (EXCEPT THOSE WITH SELF-CLOSING VALVES) COMPLY WITH THE REQUIREMENTS OF ANSI Z358.1. TEST ALL EMERGENCY EQUIPMENT AT LEAST WEEKLY.

Drawing Number: G207-100

Approved: \_\_\_\_\_

Revision Number: 051208-JPP