

3500FR

Pedestal Mounted Drinking Fountain



FEATURES & BENEFITS

Barrier-Free

Barrier-free capabilities combined with its ease of use allows for a number of installation location possibilities.

Drain Clean-Out

Top-down access to the drain allows the fountain to be cleaned without taking the unit apart, which is ideal for outdoor settings that are high in drain-clogging sediment like leaves, garbage, and other debris.

All-Weather Capabilities

Fully engineered system with the pneumatic operated freeze-resistant valve installed below frost line to drain water to non-freezing depth allowing fountain to function year-round. Assembly can be lifted to surface and lowered back into casing for easy maintenance without disturbing the fountain.

Construction

Superior strength and durability are achieved with the use of 12 gauge Type 304 Stainless Steel, along with integral 3/8" thick cast stainless bowls. The unit is trimmed with a glossy green powder-coat finish and it is secured to the ground with an integral mounting plate.

Accessibility

Ease of maintenance is achieved with the use of an extra-large access door supplied with heavy-duty door hinges, and is locked by square key pins.

Push Button

Polished chrome-plated push-button requires less than 5 lbs. to activate.

Bubbler Head

Polished chrome-plated brass bubbler head features an integral basin shank for added strength, and is equipped with a shielded, anti-squirt orifice that provides a steady sanitary source of water.



SPECIFICATIONS

Model 3500FR StreetSmart "Hi-Lo" barrier-free vandal-resistant pedestal drinking fountain shall include a 12 gauge Type 304 Stainless Steel pedestal with integral 3/8" thick cast stainless steel basins all powder-coated green, polished chrome-plated brass buttons, polished chrome-plated brass vandal-resistant bubbler heads, polished chrome-plated brass vandal-resistant waste strainer with top-down clean-out access, large access door with heavy duty hinges and square key locks, vandal-resistant bottom plate, integral mounting plate, and 1-1/2" slip waste.

OPTIONS

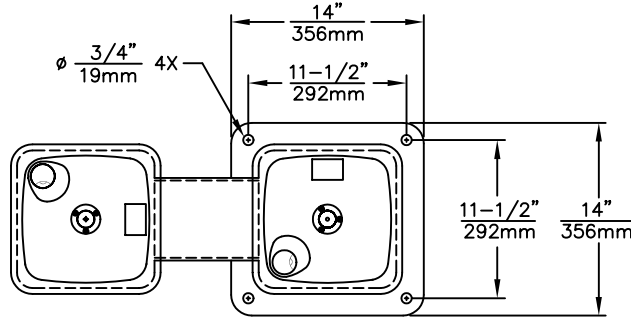
- Valve Box: Model 6625, ground box with lid, used with freeze-resistant valve models 6518FR and 6518.2FR.
- Mounting: Model MTG.3500 mounting plate gives in-ground support for many StreetSmart™ pedestal fountains and includes the mounting hardware.
- Mounting: Model MTG.3501, galvanized steel anchors.
- StreetSmart™ Colors: Nine StreetSmart™ powder-coated colors, (green, silver, red, blue, black, brown, orange, yellow and white), available at no extra charge.

APPLICATIONS

Taking performance and protection to a whole new level is the StreetSmart™ series drinking fountain. This unique drinking fountain is the perfect addition to parks, rest areas, and correctional facilities where vandalism may be more prone to take place. By welding the bowls directly to the upright, they become one with the unit, preventing removal. That, in addition to many other features for vandal-resistance, makes this fountain virtually indestructible. This series fountain may also be applicable in a wide assortment of other places not mentioned due to its great appeal through its vandal proof and wheelchair accessible design.

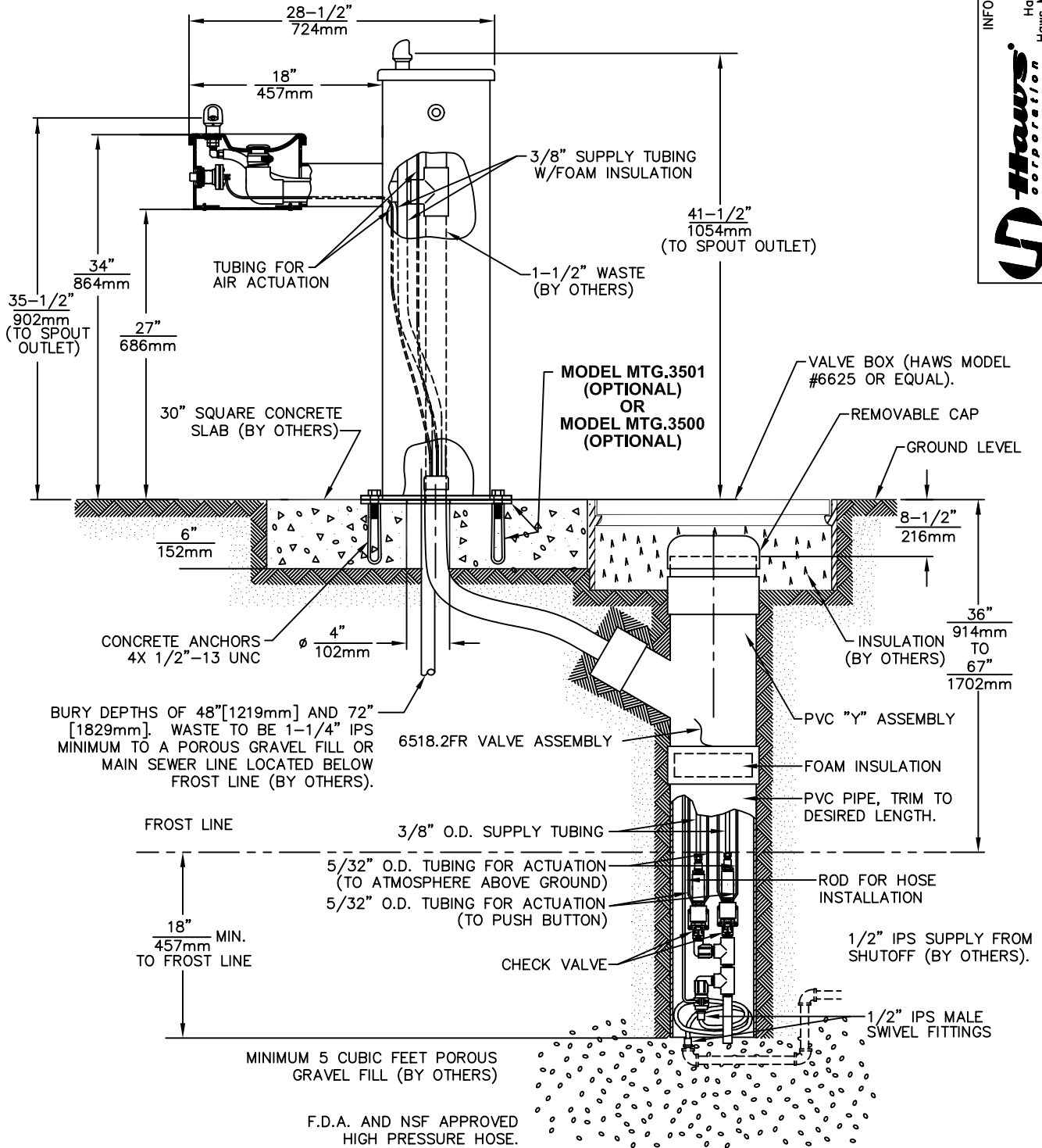
Model meets all current Federal Regulations for the disabled including those in the Americans with Disabilities Act. Haws manufactures drinking fountains, electric water coolers and electric drinking fountains to be lead-free by all known definitions including ANSI/NSF Standard 61, Section 9, California Proposition 65, and the Federal Safe Drinking Water Act.





PEDESTAL MOUNTING DETAIL

NOTE:
DOOR SPECIFIED BY CUSTOMER
AND SHIPPED SEPARATELY.



INFO FAX : 1-888-FAX-HAWS (1-888-329-4297)
 1455 Kleppe Ln, Sparks NV, 89431
 Phone: 775-359-4712 Fax: 775-359-7424
 Haws Ag, Bachweg 3, CH-3401 Burgdorf Switzerland
 Haws Mtg Pte Ltd 74 Sungai Kadut Loop Singapore 729531
 e-mail: Haws@hawsco.com website: www.hawsco.com

FOR NO. 100000000	REV. 1	DATE	10/29/99	BY	ECN	3878
DRAWN	F.V.	DATE	08/29/99	BY	ECN	3878
APPROVED		DATE		BY	ECN	3878

MODEL(S): 3500FR
 INFO FAX DOC #: 2350037
 SCALE: 1:14 DRAWING TYPE: INSTALLATION/FABRICATION

THIS DOCUMENT IS TRUE AND CORRECT AT TIME OF PUBLICATION. CONTINUED PRODUCT IMPROVEMENTS MAKE SPECIFICATIONS AND MEASUREMENTS SUBJECT TO CHANGE WITHOUT NOTICE.

©2006 Haws Corporation - All Rights Reserved HAWS® and other trademarks used in these materials are the exclusive property of Haws Corporation.



INSTALLATION, OPERATION & MAINTENANCE INSTRUCTIONS

1455 Kleppe Lane ♦ Sparks, NV 89431-6467 ♦ (775) 359-4712 ♦ Fax (775) 359-7424
HAWS AG ♦ Bachweg 3 ♦ CH-3401 Burgdorf ♦ Switzerland
Haws Mfg. Pte Lt. ♦ 2A Sungei Kadet Drive ♦ Singapore 729554
Avlis-Avenida Senador, Testonio Vilela ♦ 505 Jardim Aeroporto ♦ Itu, S.P. 13304-550 ♦ Brasil
E-mail: haws@hawsco.com ♦ website: www.hawsco.com

No. 2077455(7)

Model 3500FR Drinking Fountain

NOTE TO INSTALLER: Please leave this information with the Maintenance Department.

LIMITED WARRANTY

HAWS® warrants that all of its products are guaranteed against defective material or poor workmanship for a period of **one year from date of shipment**. HAWS liability under this warranty shall be discharged by furnishing without charge F.O.B. HAWS Factory any goods, or part thereof, which shall appear to the Company upon inspection to be of defective material or not of first class workmanship, provided that claim is made in writing to company within a reasonable period after receipt of the product. Where claims for defects are made, the defective part or parts shall be delivered to the Company, prepaid, for inspection. HAWS will not be liable for the cost of repairs, alterations or replacements, or for any expense connected therewith made by the owner or his agents, except upon written authority from HAWS, Sparks, Nevada. HAWS will not be liable for any damages caused by defective materials or poor workmanship, except for replacements, as provided above. Buyer agrees that Haws has made no other warranties either expressed or implied in addition to those above stated, except that of title with respect to any of the products or equipment sold hereunder and that HAWS shall not be liable for general, special, or consequential damages claimed to arise under the contract of sale. The drinking fountain manufactured by HAWS is warranted to function if installation and maintenance instructions provided are adhered to. The units also must be used for the purpose for which they were intended.

NO OTHER WARRANTIES EXPRESSED OR IMPLIED ARE AUTHORIZED, PROVIDED OR GIVEN BY HAWS.

SHOULD YOU EXPERIENCE DIFFICULTY WITH THE INSTALLATION OF THIS MODEL, PLEASE CALL:

1-800-766-5612

FOR PARTS CALL:

1-800-758-9378

**(U.S.A. AND CANADA ONLY) MONDAY-THURSDAY: 6:00 A.M. – 4:00 P.M. PST
FRIDAY: 6:00 A.M – 1:00 P.M. PST**

RECOMMENDED TOOLS: Hack saw, pipe joint sealant, screwdriver, level, 12" adjustable wrench, 10" pipe wrench, 9/16", 1/2", 7/16" socket wrench or open end wrench, 5/32" hex key wrench pinned tamper proof (supplied).

LOCATION OF UNIT: The Model 3500FR Drinking Fountain is a wheelchair accessible drinking water facility. The height dimensions shown, meet current ADA requirements. When installing this unit, local, state or federal codes should be adhered to. If height other than shown is required, then dimensions must be adjusted accordingly.

SUPPLY LINE: The minimum recommended line size is 1/2"IPS with 30-90 PSI (2-6 ATM) flowing pressure. Where sediment or mineral content is a problem, an inlet filter is recommended.

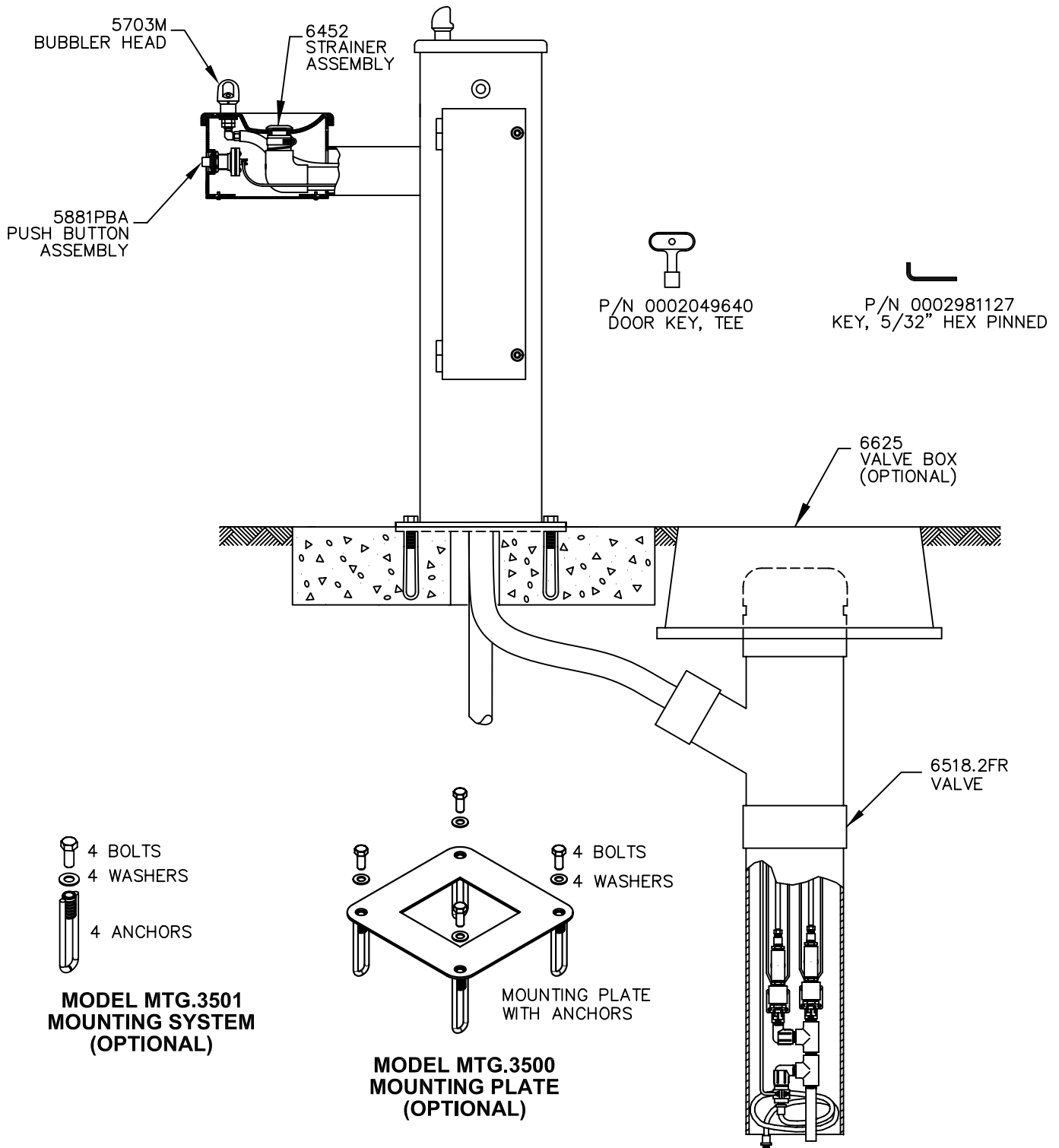
PLUMBING CONNECTIONS: Waste outlet is female 1-1/2" slip PVC female.

MAINTENANCE: Refer to 6518.2FR Operation and Maintenance Sheet for more information.

TROUBLESHOOTING

PROBLEM	REPAIR CHECKLIST
1. Insufficient bubbler flow.	1a. Check that inlet screwdriver stop valve is wide open. b. Verify minimum 30PSI flowing supply pressure. c. Adjust valve to increase flow. See 6518FR Manual.

PARTS BREAKDOWN



**MODEL MTG.3501
MOUNTING SYSTEM
(OPTIONAL)**

**MODEL MTG.3500
MOUNTING PLATE
(OPTIONAL)**

**WHEN ORDERING
PARTS PLEASE
SPECIFY YOUR
MODEL NUMBER**

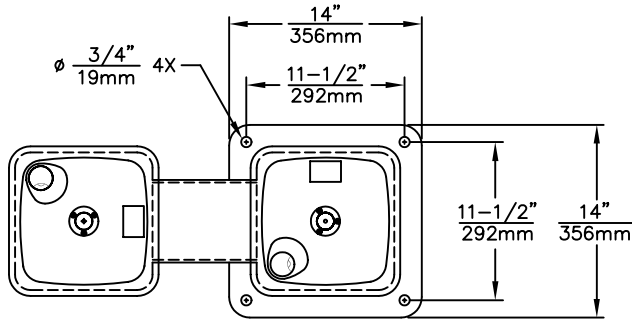


Haws
corporation

1455 KLEPPE LANE
SPARKS, NEVADA

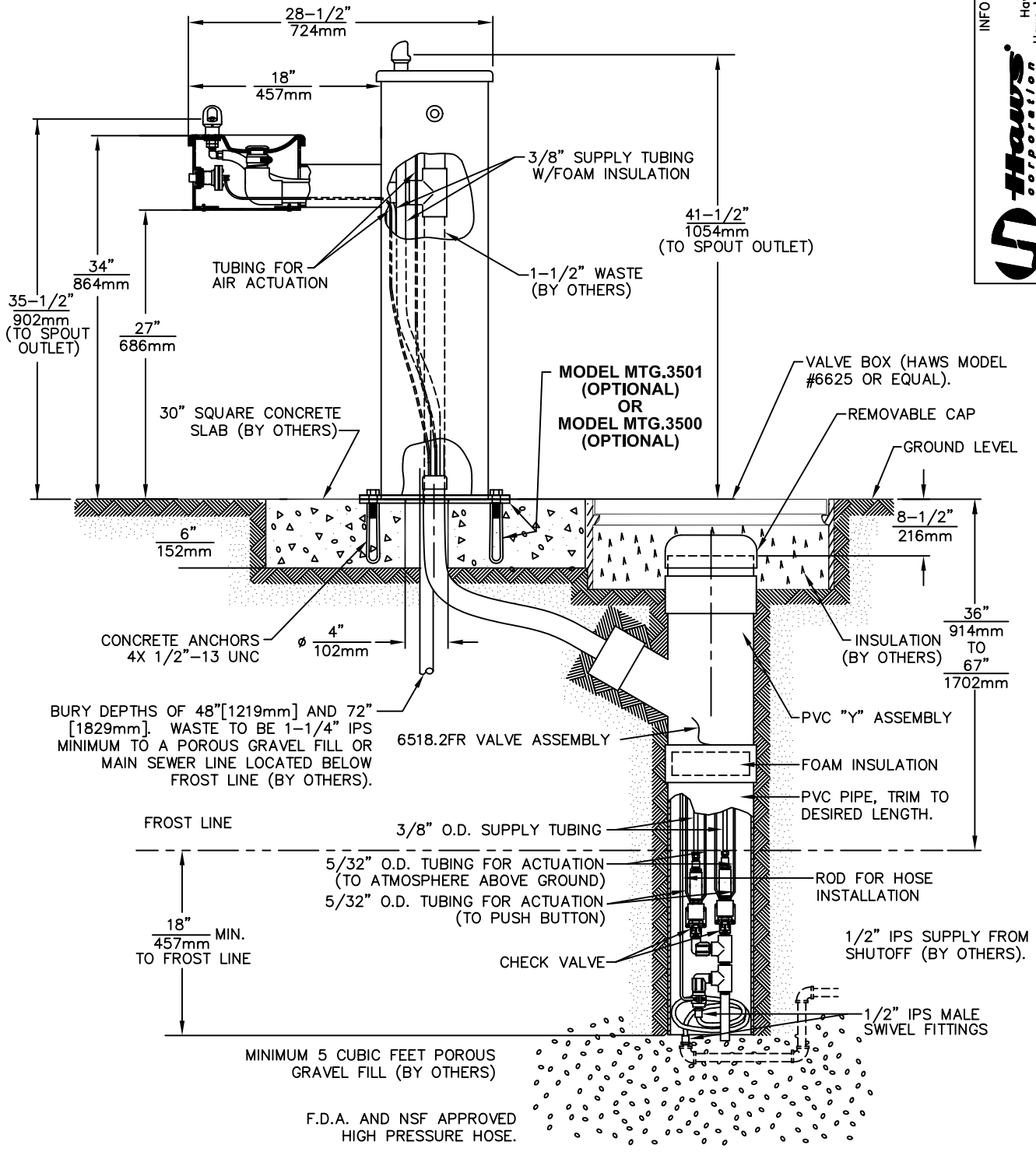
BACHWEG 3
CH3401 BURGDORF
SWITZERLAND

DRAWN BY: F.V.	DATE: 03/17/99	CHECK BY:	APP'D BY:	SCALE: 1/6
TITLE: 3500FR			PART NUMBER: 0002077455	
DRAWING TYPE: PARTS BREAKDOWN			DRAWING NUMBER: 14046C00	REV: 7



PEDESTAL MOUNTING DETAIL

NOTE:
DOOR SPECIFIED BY CUSTOMER AND SHIPPED SEPARATELY.



BURY DEPTHS OF 48" [1219mm] AND 72" [1829mm]. WASTE TO BE 1-1/4" IPS MINIMUM TO A POROUS GRAVEL FILL OR MAIN SEWER LINE LOCATED BELOW FROST LINE (BY OTHERS).

FROST LINE
18" MIN.
457mm
TO FROST LINE

MINIMUM 5 CUBIC FEET POROUS GRAVEL FILL (BY OTHERS)

F.D.A. AND NSF APPROVED HIGH PRESSURE HOSE.

Haws Corporation

INFO FAX : 1-888-FAX-HAWS (1-888-329-4297)
1455 Kleppe Ln, Sparks NV, 89431
Phone: 775-359-4712 Fax: 775-359-7424
Haws Ag, Bachweg 3, CH-3401 Burgdorf Switzerland
Haws Mtg Pte Ltd 74 Sungai Kadut Loop Singapore 729531
e-mail: Haws@hawsco.com website: www.hawsco.com

MODEL(S): 3500FR
DRAWN: E.C.N., S.B.T.B. H.M. B.K.D.T.
DATE: 06/29/99
APPROVED: DATE: SCALE: 1:14
INFO FAX DOC #: 2350037
DRAWING TYPE: INSTALLATION/FABRICATION

0000707455.D
14045C00
SIZE: A SH: 1 OF 1

THIS DOCUMENT IS TRUE AND CORRECT AT TIME OF PUBLICATION. CONTINUED PRODUCT IMPROVEMENTS MAKE SPECIFICATIONS AND MEASUREMENTS SUBJECT TO CHANGE WITHOUT NOTICE.

©2006 Haws Corporation - All Rights Reserved HAWS® and other trademarks used in these materials are the exclusive property of Haws Corporation.