

MANUAL FAUCETS

895-CP



Sink Faucet

Product Type

Sink Faucet

Features & Specifications

- 3 1/2" C-C Rigid/Swing Gooseneck Spout
- 2.2 GPM (8.3 L/min) Pressure Compensating Softflo® Aerator
- 2 3/8" Metal Lever Handles with Secured Red and Blue Service Buttons
- Quatum™ Operating Cartridges
- 1/2" NPSM Supply Inlets with Coupling Nut for 3/8" or 1/2" Flexible Riser

Performance Specification

- Rating Operating Pressure: 20-125 PSI
- Rated Operating Temperature: 40-140°F

Warranty

- Lifetime Limited Faucet Warranty
- 5-Year Limited Cartridge Warranty
- 1-Year Limited Finish Warranty

Compliant To

- ASME A112.18.1M
- CSA B125.1
- NSF 61, Section 9
- ADA ANSI/ICC A117.1

Job Name _____

Item Number _____

Section/Tag _____

Model Specified _____

Architect _____

Engineer _____

Contractor _____

Submitted as Shown Submitted with Variations

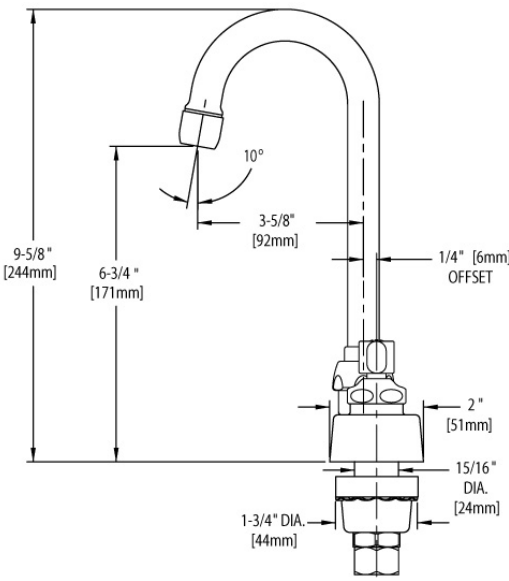
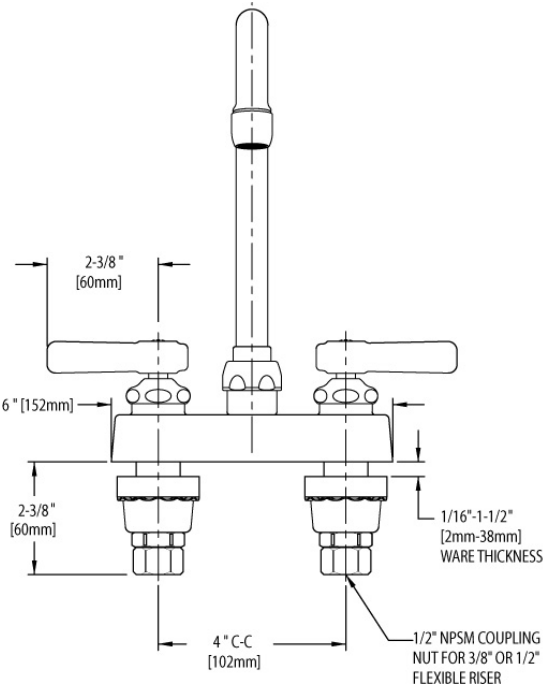
Date _____



2100 South Clearwater Drive
 Des Plaines, IL
 P: 847/803-5000
 F: 847/803-5454
 Technical: 800/TEC-TRUE
 www.chicagofaucets.com

Architect/Engineer Specification

Chicago Faucets No. 895-CP, polished chrome plated solid brass construction with integral shanks. 3-1/2" C-C rigid/swing field convertible gooseneck spout. 2.2 GPM pressure compensating aerator outlet. 2-3/8" lever handles with eight-point tapered broach and secured, color-coded index buttons. Quatern™ quarter-turn renewable compression cartridge designed to close with water pressure, with square tapered broach feature to help facilitate handle removal. Inlet shanks contain standard 1/2" NPSM threaded inlets with coupling nuts for connection to 3/8" or 1/2" standard flexible risers. Mounting hardware included. This product meets ADA requirements and is tested and certified to industry standards: ASME A112.18.1, NSF 61 Sec. 9, and CSA B125.



Operation and Maintenance

Installation should be in accordance with local plumbing codes. Flush all pipes thoroughly before installation. After installation, remove spout outlet or flow control and flush faucet thoroughly to clear any debris. Care should be taken when cleaning the product. Do not use abrasive cleaners, chemicals or solvents as they can result in surface damage. Use mild soap and warm water for cleaning and protecting the life of Chicago Faucet products. For specific operation and maintenance refer to the installation instructions and repair parts documents that are located at www.chicagofaucets.com.

Chicago Faucets, member of the Geberit Group, is the leading brand of commercial faucets and fittings in the United States, offering a complete range of products for schools, laboratories, hospitals, office buildings, food service, airports and sport facilities. Call 1.800.TECTRUE or 1.847.803.5000 Option 1 for installation or other technical assistance.



2100 South Clearwater Drive
Des Plaines, IL
P: 847/803-5000
F: 847/803-5454
Technical: 800/TEC-TRUE
www.chicagofaucets.com