

## 733-OHVBCP

Straight Urinal Valve

### PRODUCT TYPE

Straight urinal valve

### FEATURES & SPECIFICATIONS

- Polished chrome plated finish
- Solid brass body construction
- Long bonnet non-sag oscillating handle, catalog #386-009
- NAIAD™ adjustable self-closing cartridge, catalog #386XSLO
- 1/2" NPT female inlet
- 3/4" O.D. x 9 7/8" vacuum breaker tailpiece
- Escutcheon deck assembly

### PERFORMANCE SPECIFICATION

- Rated Operating Pressure: 20-125 PSI
- Rated Operating Temperature: 40-140° F

### WARRANTY

- Lifetime Limited Faucet Warranty
- 5-Year Limited Cartridge Warranty
- 1-Year Limited Finish Warranty

### COMPLIANT TO

- ASME A112.18.1M
- CSA B125

|   |  |
|---|--|
| Job Name                                    | _____  |
| Item Number                                 | _____  |
| Section/Tag                                 | _____  |
| Model Specified                             | _____  |
| Architect                                   | _____  |
| Engineer                                    | _____  |
| Contractor                                  | _____  |
| <input type="checkbox"/> Submitted as Shown | <input type="checkbox"/> Submitted with Variations |
| Date  | _____  |

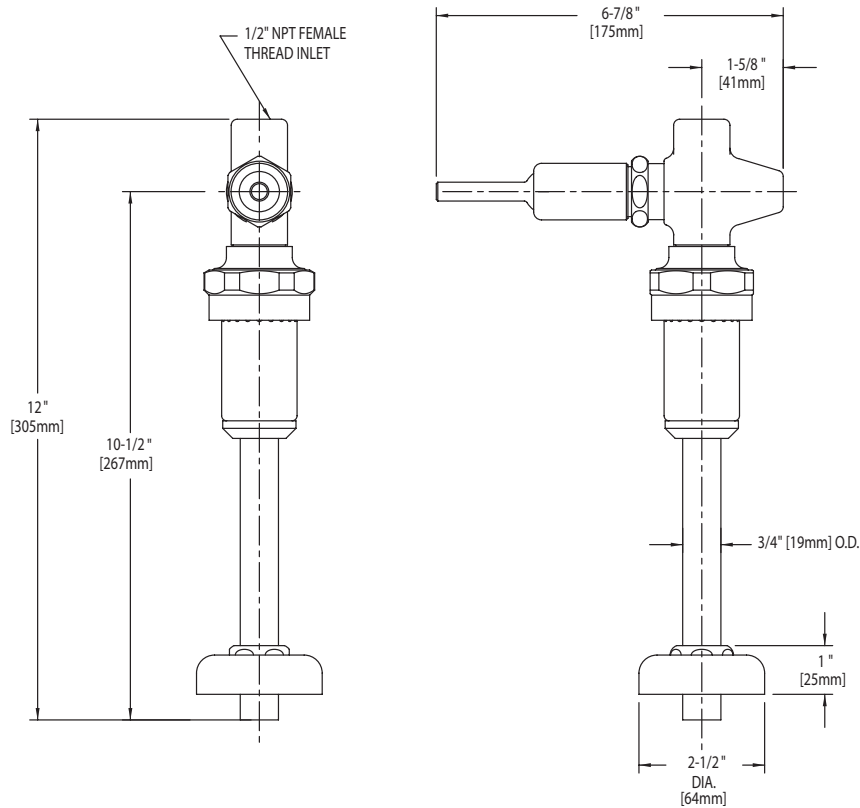


# 733-OHVBCP

Straight Urinal Valve

## ARCHITECT/ENGINEER SPECIFICATION

Chicago Faucets No. 733-OHVBCP, Polished chrome plated solid brass body. Long bonnet non-sag oscillating handle. NAIAD™ adjustable self-closing cartridge. 1/2" NPT female inlet and 3/4" OD x 9 7/8" vacuum breaker tailpiece. Escutcheon deck assembly. This product is tested and certified to industry standards: ASME A112.18.1 and CSA B125.



## OPERATION AND MAINTENANCE

Installation should be in accordance with local plumbing codes. Flush all pipes thoroughly before installation. After installation, remove spout outlet or flow control and flush faucet thoroughly to clear any debris. Care should be taken when cleaning this product. Do not use abrasive cleaners, chemicals or solvents as they can result in surface damage. Use mild soap and warm water for cleaning and protecting the life of Chicago Faucet products. For specific operation and maintenance refer to the installation instructions and repair parts documents that are located at [www.chicagofaucets.com](http://www.chicagofaucets.com).

Chicago Faucets, member of the Geberit Group, is the leading brand of commercial faucets and fittings in the United States, offering a complete range of products for schools, laboratories, hospitals, office buildings, food service, airports and sport facilities. Call 1.800.TECTRUE or 1.847.803.5000 Option 1 for installation or other technical assistance.

