

# MANUAL FAUCETS

## 732-OHVBCP



### Angle Urinal Metering Fitting

#### Product Type

Angle Urinal Metering Fitting

#### Features & Specifications

- 3/4" O.D. x 9 7/8" Vacuum Breaker Tail Piece
- Long Bonnet Non-Sag Oscillating Handle
- NAIAD™ Metering Adjustable Self Closing Cartridge
- 1/2" NPT Female Thread Inlet
- Slip Wall Flange
- Atmospheric Vacuum Breaker, Not Intended for Continuous Pressure Applications

#### Performance Specification

- Rating Operating Pressure: 20-125 PSI
- Rated Operating Temperature: 40-140°F

#### Compliant To

- ASME A112.18.1M
- CSA B125.1
- ADA ANSI/ICC A117.1

Job Name \_\_\_\_\_

Item Number \_\_\_\_\_

Section/Tag \_\_\_\_\_

Model Specified \_\_\_\_\_

Architect \_\_\_\_\_

Engineer \_\_\_\_\_

Contractor \_\_\_\_\_

Submitted as Shown       Submitted with Variations

Date \_\_\_\_\_

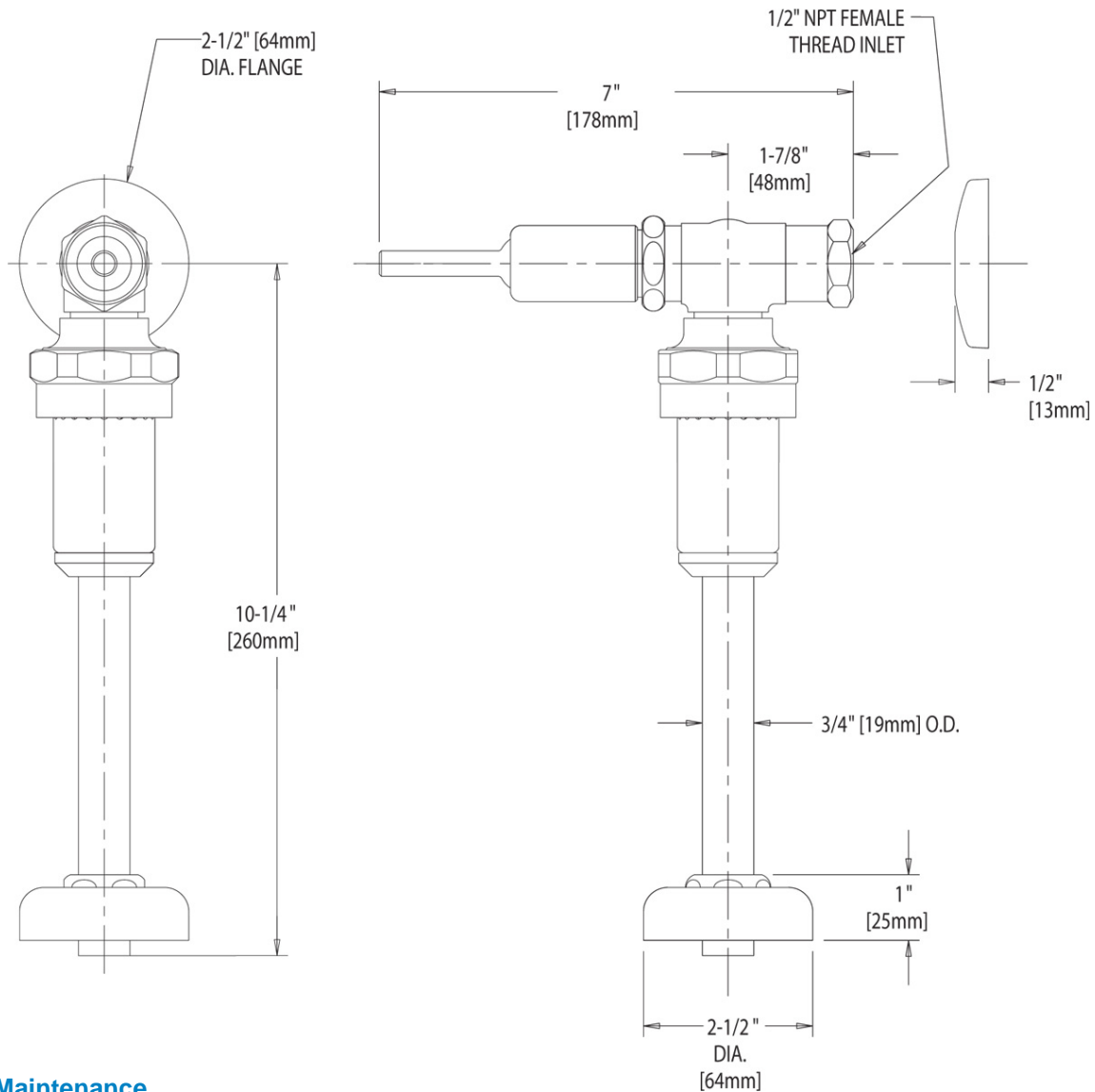


2100 South Clearwater Drive  
 Des Plaines, IL  
 P: 847/803-5000  
 F: 847/803-5454  
 Technical: 800/TEC-TRUE  
 www.chicagofaucets.com

## Angle Urinal Metering Fitting

### Architect/Engineer Specification

Chicago Faucets No. 732-OHVBCP, polished chrome plated solid brass body. Long bonnet non-sag oscillating handle. NAIAD™ adjustable slo-closing cartridge. 1/2" NPT female inlet and 3/4" OD x 9 7/8" vacuum breaker tailpiece. Escutcheon deck assembly and loose wall flange. This product is tested and certified to industry standards: ASME A112.18.1 and CSA B125.



### Operation and Maintenance

Installation should be in accordance with local plumbing codes. Flush all pipes thoroughly before installation. After installation, remove spout outlet or flow control and flush faucet thoroughly to clear any debris. Care should be taken when cleaning the product. Do not use abrasive cleaners, chemicals or solvents as they can result in surface damage. Use mild soap and warm water for cleaning and protecting the life of Chicago Faucet products. For specific operation and maintenance refer to the installation instructions and repair parts documents that are located at [www.chicagofaucets.com](http://www.chicagofaucets.com).

Chicago Faucets, member of the Geberit Group, is the leading brand of commercial faucets and fittings in the United States, offering a complete range of products for schools, laboratories, hospitals, office buildings, food service, airports and sport facilities. Call 1.800.TECTRUE or 1.847.803.5000 Option 1 for installation or other technical assistance.

