

Combination Pedal Box

Product Type

Combination Pedal Box

Features & Specifications

- One 3/8" NPT Female Back Outlet
- Short Pedals
- NAIAD™ Metering Non-adjustable Self Closing Cartridges
- Two 1/2" NPT Female Thread Back Inlets

Performance Specification

- Rating Operating Pressure: 20-125 PSI
- Rated Operating Temperature: 40-140°F

Warranty

- Lifetime Limited Faucet Warranty
- 5-Year Limited Cartridge Warranty
- 1-Year Limited Finish Warranty

Compliant To

- ASME A112.18.1M
- CSA B125.1
- NSF 61, Section 9

Job Name _____

Item Number _____

Section/Tag _____

Model Specified _____

Architect _____

Engineer _____

Contractor _____

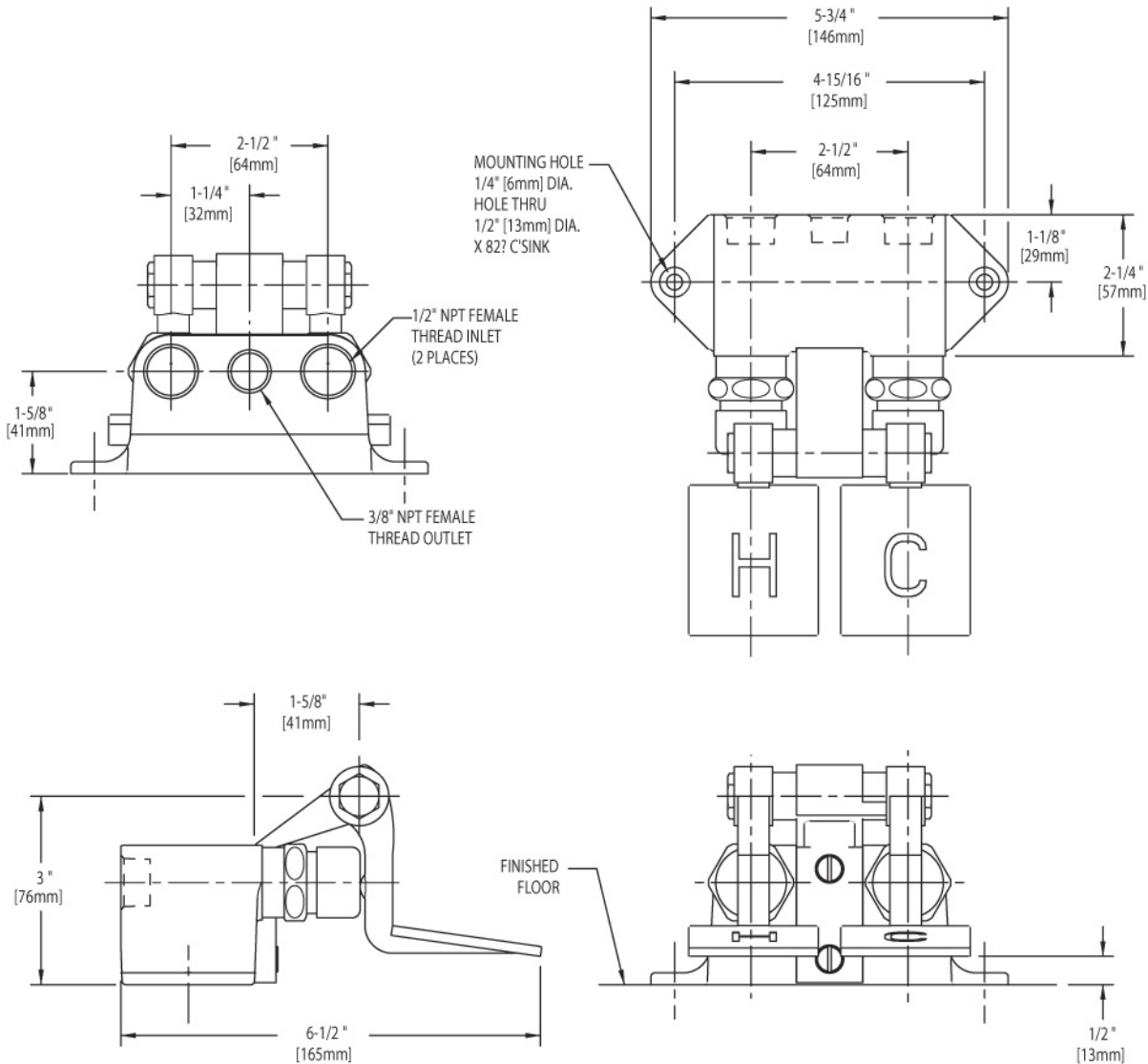
Submitted as Shown Submitted with Variations

Date _____



Architect/Engineer Specification

Chicago Faucets No. 625-CP, polished chrome plated solid brass construction, short metal pedals with "H" & "C" debossed on top. NAIAD™ self-closing renewable cartridge. Two 1/2" NPT female back inlets, one 3/8" NPT female back outlet. This product is tested and certified to industry standards: ASME A112.18.1, NSF 61 Sec. 9, and CSA B125.



Operation and Maintenance

Installation should be in accordance with local plumbing codes. Flush all pipes thoroughly before installation. After installation, remove spout outlet or flow control and flush faucet thoroughly to clear any debris. Care should be taken when cleaning the product. Do not use abrasive cleaners, chemicals or solvents as they can result in surface damage. Use mild soap and warm water for cleaning and protecting the life of Chicago Faucet products. For specific operation and maintenance refer to the installation instructions and repair parts documents that are located at www.chicagofaucets.com.

Chicago Faucets, member of the Geberit Group, is the leading brand of commercial faucets and fittings in the United States, offering a complete range of products for schools, laboratories, hospitals, office buildings, food service, airports and sport facilities. Call 1.800.TECTRUE or 1.847.803.5000 Option 1 for installation or other technical assistance.



2100 South Clearwater Drive
Des Plaines, IL
P: 847/803-5000
F: 847/803-5454
Technical: 800/TEC-TRUE
www.chicagofaucets.com