

# MANUAL FAUCETS

## 305-VBRCF



### Service Sink Faucet

#### Product Type

Service Sink Faucet

#### Features & Specifications

- Vacuum Breaker Short Spout with Pail Hook
- 3/4" Male Hose Thread Outlet
- 2 3/8" Metal Lever Handles with Secured Red and Blue Service Buttons
- Quatum™ Operating Cartridges
- 2 1/2" Offset Adjustable Supply Arms with 1/2" NPT Female Thread Inlet
- Atmospheric Vacuum Breaker, Not Intended for Continuous Pressure Applications

#### Performance Specification

- Rating Operating Pressure: 20-125 PSI
- Rated Operating Temperature: 40-140°F

#### Warranty

- Lifetime Limited Faucet Warranty
- 5-Year Limited Cartridge Warranty
- 1-Year Limited Finish Warranty

#### Compliant To

- ASME A112.18.1M
- CSA B125.1
- NSF 61, Section 9
- ADA ANSI/ICC A117.1

Job Name \_\_\_\_\_

Item Number \_\_\_\_\_

Section/Tag \_\_\_\_\_

Model Specified \_\_\_\_\_

Architect \_\_\_\_\_

Engineer \_\_\_\_\_

Contractor \_\_\_\_\_

Submitted as Shown       Submitted with Variations

Date \_\_\_\_\_



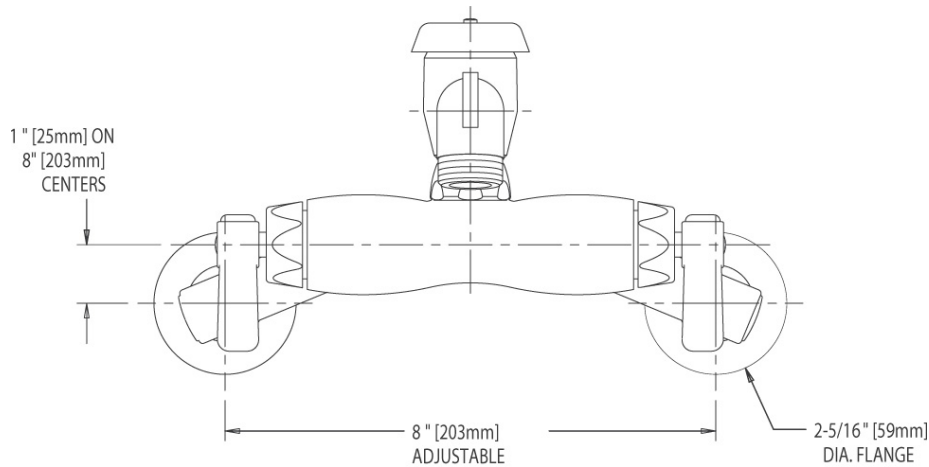
2100 South Clearwater Drive  
 Des Plaines, IL  
 P: 847/803-5000  
 F: 847/803-5454  
 Technical: 800/TEC-TRUE  
 www.chicagofaucets.com

# 305-VBRCF

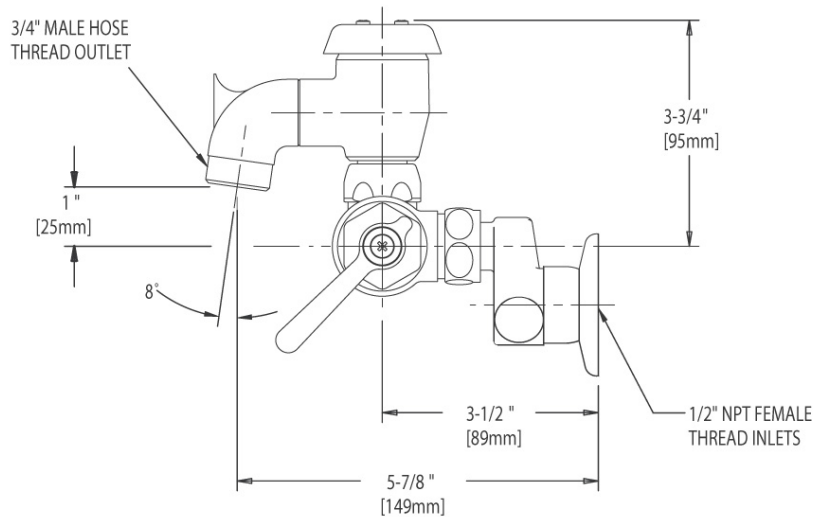
## Service Sink Faucet

### Architect/Engineer Specification

Chicago Faucets No. 305-VBRCF, rough chrome plated solid cast brass construction. Atmospheric vacuum breaker rigid spout with pail hook, wall brace and 3/4" male garden hose thread outlet. 2-3/8" metal lever handles with eight-point tapered broach and secured, color-coded index buttons. Quatum™ quarter-turn renewable compression cartridge designed to close with water pressure, with square tapered broach feature to help facilitate handle removal. 1/2" NPT female inlet supply arms with adjustable centers from 4" to 8-3/8", with loose wall flange. This product meets ADA requirements and is tested and certified to ASME A112.18.1 and CSA B125 industry standards.



FRONT VIEW



SIDE VIEW

### Operation and Maintenance

Installation should be in accordance with local plumbing codes. Flush all pipes thoroughly before installation. After installation, remove spout outlet or flow control and flush faucet thoroughly to clear any debris. Care should be taken when cleaning the product. Do not use abrasive cleaners, chemicals or solvents as they can result in surface damage. Use mild soap and warm water for cleaning and protecting the life of Chicago Faucet products. For specific operation and maintenance refer to the installation instructions and repair parts documents that are located at [www.chicagofaucets.com](http://www.chicagofaucets.com).

Chicago Faucets, member of the Geberit Group, is the leading brand of commercial faucets and fittings in the United States, offering a complete range of products for schools, laboratories, hospitals, office buildings, food service, airports and sport facilities. Call 1.800.TECTRUE or 1.847.803.5000 Option 1 for installation or other technical assistance.

