

MECHANICAL FAUCETS

293-244CP



Washdown and Sill

Product Type

Wall Mounted Inside Sill Fitting

Features & Specifications

- Sill Fittings
- 2 1/4" Tee Handle
- Klo-Self Metering Cam and Cap Design Operating Cartridge
- 1/2" NPT Female Thread Inlet
- Built-in Integral Check Stops

Performance Specification

- Rating Operating Pressure: 20-125 PSI
- Rated Operating Temperature: 40-140°F

Warranty

- Lifetime Limited Faucet Warranty
- 5-Year Limited Cartridge Warranty
- 1-Year Limited Finish Warranty

Codes & Standards

- ASME A112.18.1M
- CSA B125.1

Job Name _____

Item Number _____

Section/Tag _____

Model Specified _____

Architect _____

Engineer _____

Contractor _____

Submitted as Shown Submitted with Variations

Date _____



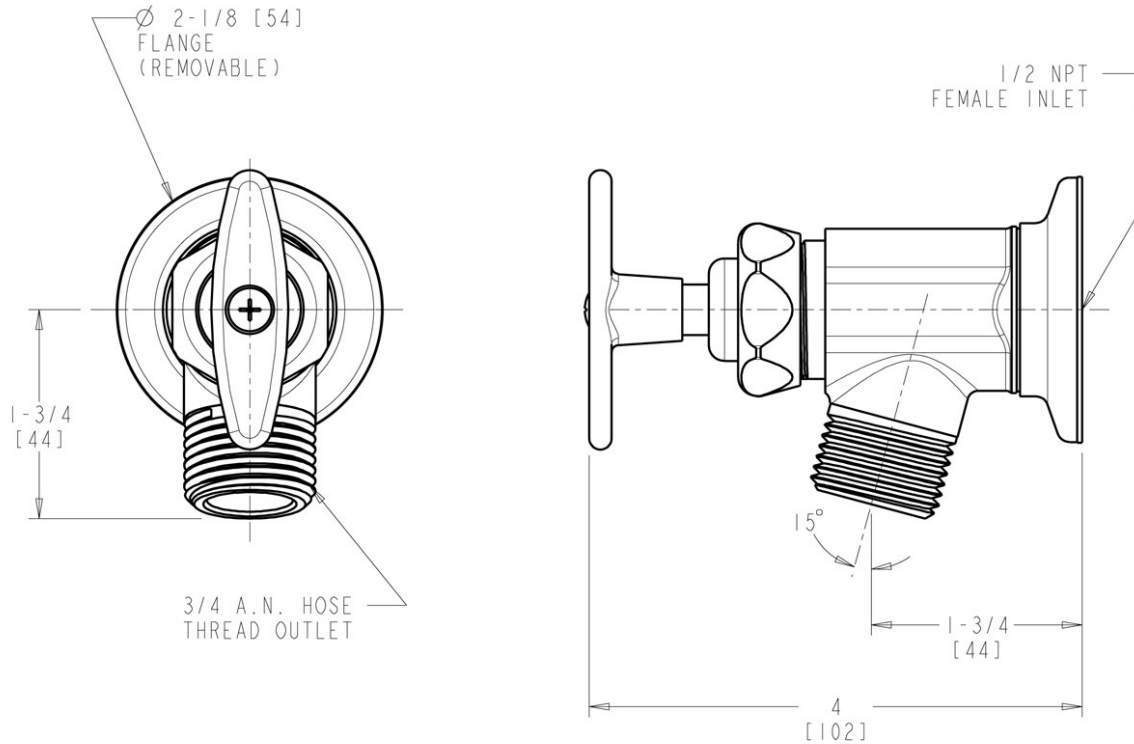
2100 South Clearwater Drive
Des Plaines, IL
P: 847/803-5000
F: 847/803-5454
Technical: 800/TEC-TRUE
www.chicagofaucets.com

293-244CP

Washdown and Sill

Architect/Engineer Specification

Chicago Faucets No. 293-244CP polished chrome plated solid brass construction. 2 1/4" metal tee handle(s) with tapered square. Klo-self™ rebuildable self-closing cartridge, immediate shut-off, opens and closes 90° bi-directional, features square tapered stem. Integral inlet shank(s) contains standard 1/2" NPT female thread inlet. Built-in integral check stops. Mounting hardware included. This product is tested and certified to industry standards: ASME A112.18.1M, and CSA B125.1.



Operation and Maintenance

Installation should be in accordance with local plumbing codes. Flush all pipes thoroughly before installation. After installation, remove spout outlet or flow control and flush faucet thoroughly to clear any debris. Care should be taken when cleaning the product. Do not use abrasive cleaners, chemicals or solvents as they can result in surface damage. Use mild soap and warm water for cleaning and protecting the life of Chicago Faucet products. For specific operation and maintenance refer to the installation instructions and repair parts documents that are located at www.chicagofaucets.com.

Chicago Faucets, member of the Geberit Group, is the leading brand of commercial faucets and fittings in the United States, offering a complete range of products for schools, laboratories, hospitals, office buildings, food service, airports and sport facilities. Call 1.800.TECTRUE or 1.847.803.5000 Option 1 for installation or other technical assistance.

