

Wall Mounted Hand Shower Fitting

Product Type

Wall Mounted Hand Shower Fitting

Features & Specifications

- Hand Spray
- 1/2" NPSM Female Thread Inlet
- 60" Chrome Plated Stainless Steel Hose

Warranty

- Lifetime Limited Faucet Warranty
- 5-Year Limited Cartridge Warranty
- 1-Year Limited Finish Warranty

Job Name _____

Item Number _____

Section/Tag _____

Model Specified _____

Architect _____

Engineer _____

Contractor _____

Submitted as Shown Submitted with Variations

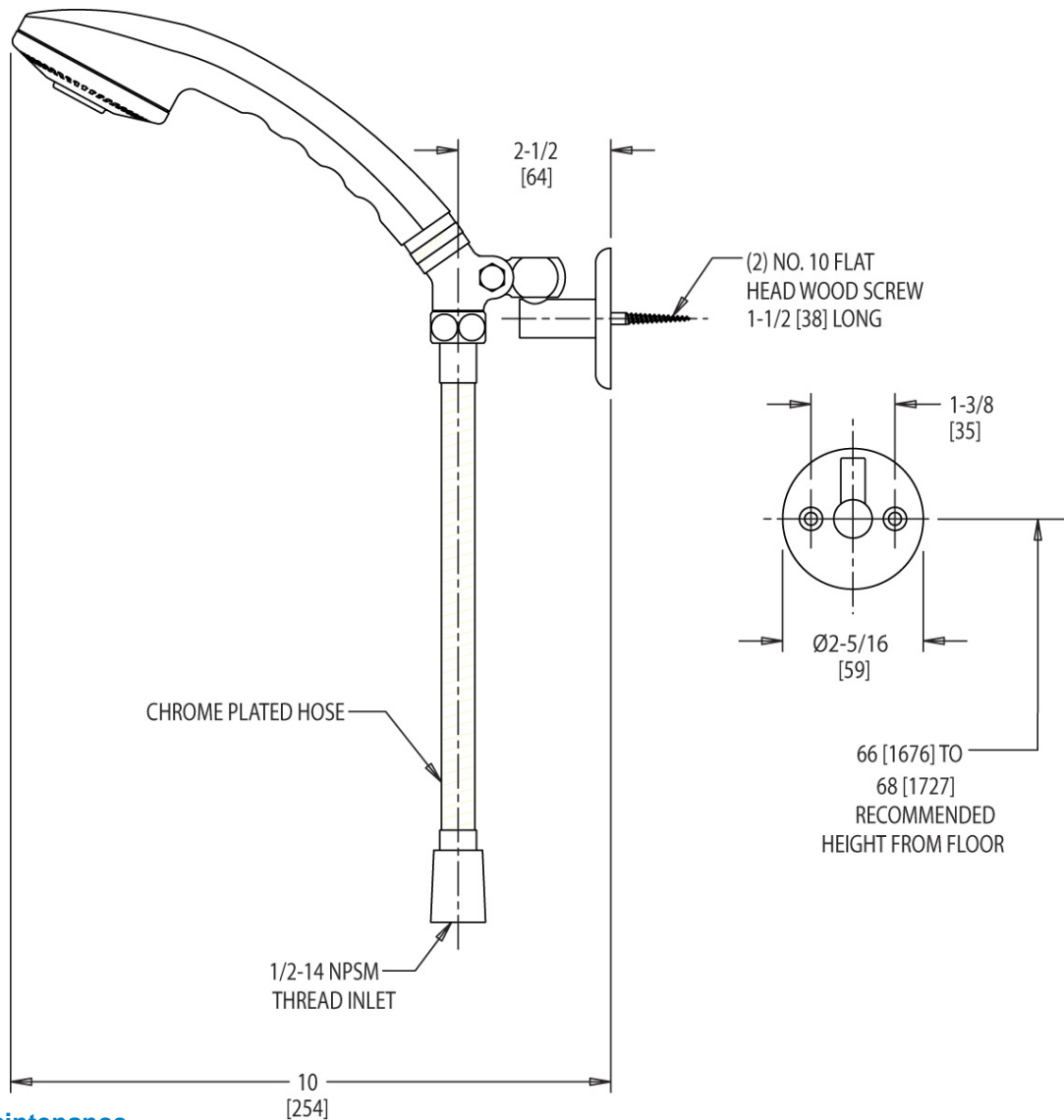
Date _____



Wall Mounted Hand Shower Fitting

Architect/Engineer Specification

Chicago Faucets No. 150-CP, Chrome plated finish. 60" stainless steel hose with 82" stretch length with hand spray. Built-in flow control with 2.5 GPM (9.5 L/min) flow rate. 1/2" NSPM female inlet. all hook and mounting hardware included. This product is tested and certified to industry standards: ASME 112.18.1 and CSA B125.



Operation and Maintenance

Installation should be in accordance with local plumbing codes. Flush all pipes thoroughly before installation. After installation, remove spout outlet or flow control and flush faucet thoroughly to clear any debris. Care should be taken when cleaning the product. Do not use abrasive cleaners, chemicals or solvents as they can result in surface damage. Use mild soap and warm water for cleaning and protecting the life of Chicago Faucet products. For specific operation and maintenance refer to the installation instructions and repair parts documents that are located at www.chicagofaucets.com.

Chicago Faucets, member of the Geberit Group, is the leading brand of commercial faucets and fittings in the United States, offering a complete range of products for schools, laboratories, hospitals, office buildings, food service, airports and sport facilities. Call 1.800.TECTRUE or 1.847.803.5000 Option 1 for installation or other technical assistance.



2100 South Clearwater Drive
Des Plaines, IL
P: 847/803-5000
F: 847/803-5454
Technical: 800/TEC-TRUE
www.chicagofaucets.com