

ELECTRONIC-AC FAUCETS

116.306.21.1



Sink Faucets

Product Type

Deck Mounted Electronic Lavatory Faucet with Dual Beam Infrared Sensor

Features & Specifications

- Single Hole
- 0.5 GPM (1.9 L/min) Vandal Proof Prepack Outlet
- Single Supply for Tempered Water
- 12 Volt AC Plug-in Transformer Included (Single Faucet Use)
- CFNow! Item Ships in 5 Days

Performance Specification

- Rating Operating Pressure: 20-125 PSI
- Rated Operating Temperature: 40-140°F

Warranty

- Lifetime Limited Faucet Warranty
- 1-Year Limited Finish Warranty
- 5-Year Limited Mechanical Warranty
- 3-Year Limited Electronics and Solenoid Warranty

Codes & Standards

- ASME A112.18.1/CSA B125.1
- ADA ANSI/ICC A117.1

Job Name _____

Item Number _____

Section/Tag _____

Model Specified _____

Architect _____

Engineer _____

Contractor _____

Submitted as Shown Submitted with Variations

Date _____



2100 South Clearwater Drive
 Des Plaines, IL
 P: 847/803-5000
 F: 847/803-5454
 Technical: 800/TEC-TRUE
 www.chicagofaucets.com

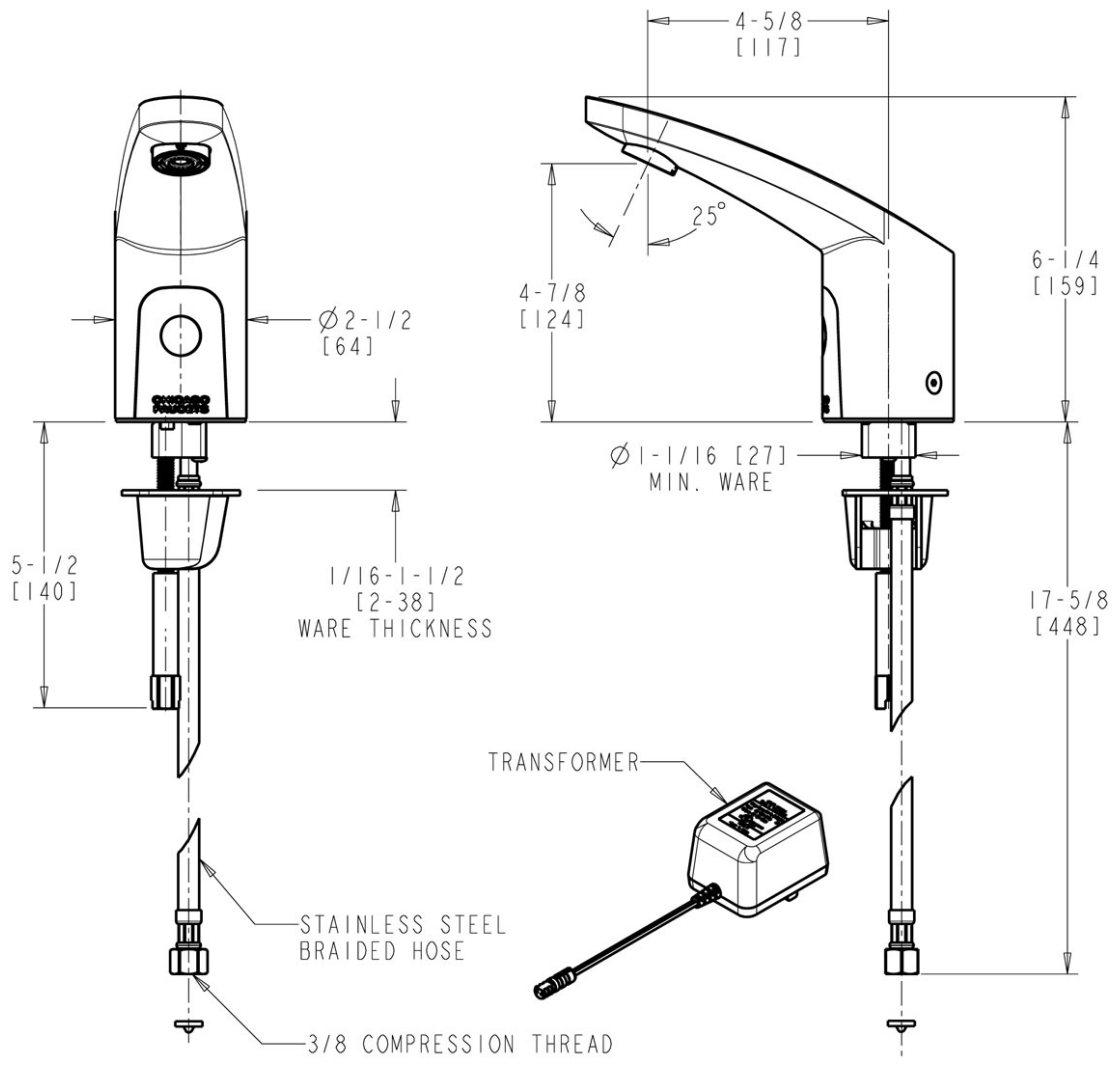
116.306.21.1

Sink Faucets



Architect/Engineer Specification

Chicago Faucets No. 116.306.21.1 polished chrome plated solid brass construction. 0.5 GPM (1.9 L/min) vandal proof prepack outlet. Integral inlet shank(s) contains standard single supply for tempered water. 12 volt ac plug-in transformer included (single faucet use). Mounting hardware included.



Operation and Maintenance

Installation should be in accordance with local plumbing codes. Flush all pipes thoroughly before installation. After installation, remove spout outlet or flow control and flush faucet thoroughly to clear any debris. Care should be taken when cleaning the product. Do not use abrasive cleaners, chemicals or solvents as they can result in surface damage. Use mild soap and warm water for cleaning and protecting the life of Chicago Faucet products. For specific operation and maintenance refer to the installation instructions and repair parts documents that are located at www.chicagofaucets.com.

Chicago Faucets, member of the Geberit Group, is the leading brand of commercial faucets and fittings in the United States, offering a complete range of products for schools, laboratories, hospitals, office buildings, food service, airports and sport facilities. Call 1.800.TECTRUE or 1.847.803.5000 Option 1 for installation or other technical assistance.



2100 South Clearwater Drive
Des Plaines, IL
P: 847/803-5000
F: 847/803-5454
Technical: 800/TEC-TRUE
www.chicagofaucets.com