

**CHICAGO FAUCETS**  
a Geberit company

2100 South Clearwater Drive  
Des Plaines, IL 60018  
Phone: 847-803-5000  
Fax: 847-803-5454  
www.chicagofaucets.com

**REPAIR PARTS**

BY: JAR    DATE: 05-05-11  
CHK: *JR*    REV:

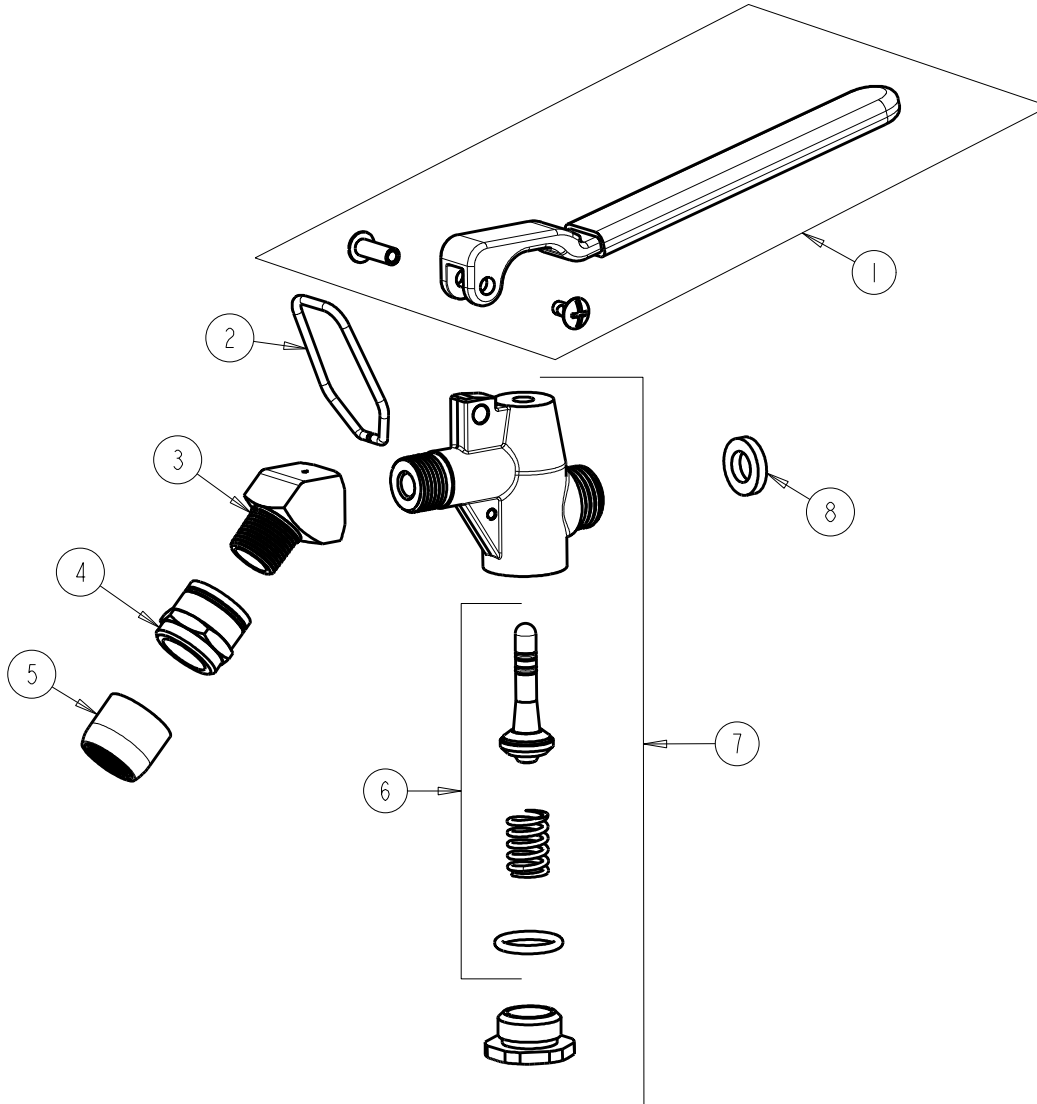
FITTING NO.

**90-ANGE3ABCP**

SUBMITTED MODEL NO.

ITEM NO.

**FOR TECHNICAL ASSISTANCE**  
1-800-TEC-TRUE (1-800-832-8783)



NOTES:

1. ITEM 7 SUPPLIED ASSEMBLED.
2. ITEM 3 AND 4 ARE ADHESIVED TO VALVE BODY AT THE FACTORY BUT ARE AVAILABLE AS 'JK' ITEM.

ITEM	PART NO.	DESCRIPTION
1	90-001KJKNF	KIT, PRE-RINSE HANDLE
2	919-153JKNF	HANDLE CLIP
3	925-006JKABCP	ELBOW, 45 DEGREE
4	225-002JKABCP	ADAPTER
5	E3JKCP	SOFTFLO AERATOR OUTLET
6	919-130KJKABNF	KIT, VALVE STEM ASSEMBLY
7	919-430KJKABCP	KIT, PRE-RINSE VALVE ASSEMBLY
8	919-243JKNF	GASKET, .685 X .375 X .125