

**CHICAGO FAUCETS**  
a Geberit company

2100 South Clearwater Drive  
Des Plaines, IL 60018  
Phone: 847-803-5000  
Fax: 847-803-5454  
www.chicagofaucets.com

# REPAIR PARTS

BY: JAR      DATE: 03-12-02  
CHK: *[Signature]*      REV: 11-20-07

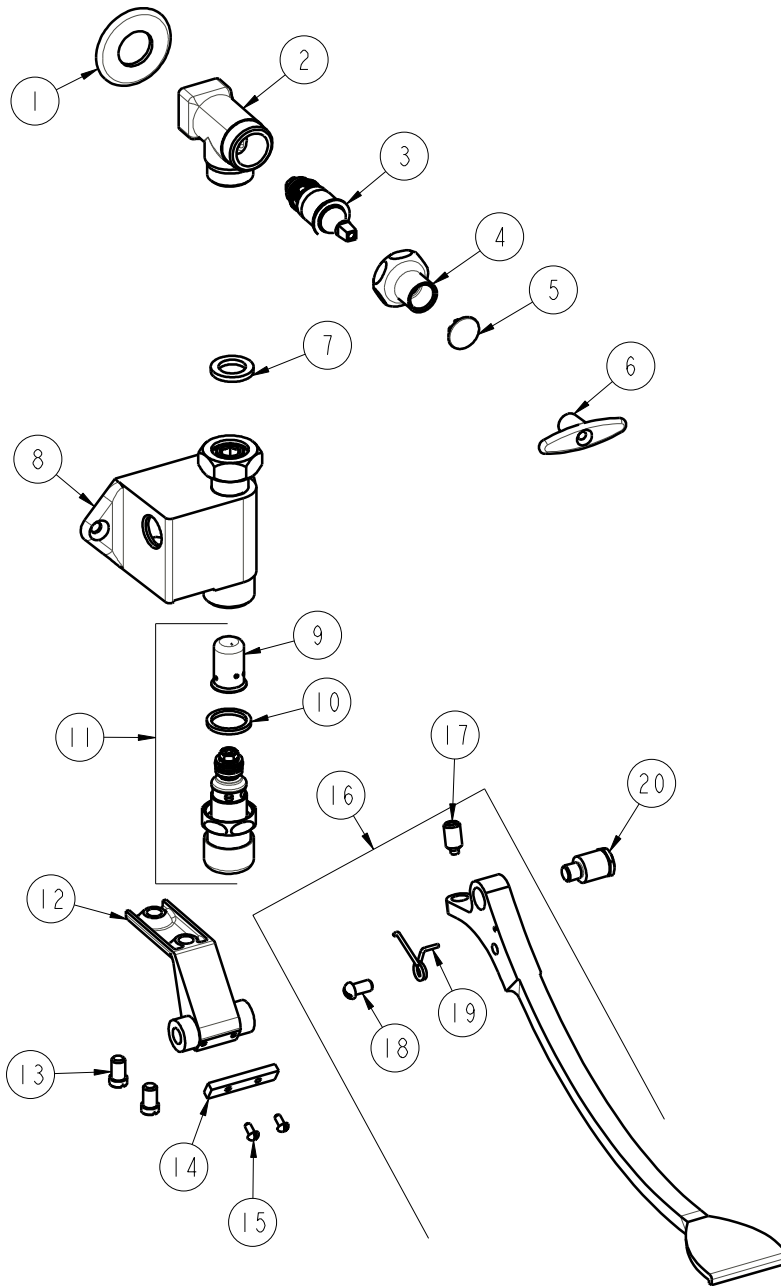
FITTING NO.

**806-CP**

SUBMITTED MODEL NO.

ITEM NO.

**FOR TECHNICAL ASSISTANCE**  
**1-800-TEC-TRUE (1-800-832-8783)**



ITEM	PART NO.	DESCRIPTION	ITEM	PART NO.	DESCRIPTION
1	417-019JKCP	FLANGE	11	625-XJKNF	FOR PARTS SEE 625-X
2	—	VALVE BODY (NOT SOLD SEPARATELY)	12	834-013JKCP	PEDAL BRACKET
3	217-XTLHJKNF	CARTRIDGE, SLO-COMPRESSION	13	625-006JKBNF	SCREW
4	1-246JKCP	LOOSE KEY CAP	14	834-012JKNF	PEDAL STOP
5	1-144JKCP	BUTTON	15	76-008JKNF	SCREW
6	293-006JKRCF	HANDLE, TEE INCLUDES SCREW	16	834-207KJKNF	PEDAL ASSEMBLY
7	1-011JKNF	WASHER	17	745-025JKNF	SCREW
8	—	VALVE BODY (NOT SOLD SEPARATELY)	18	173-032JKNF	SCREW
9	333-075JKNF	DASHPOT	19	834-011JKNF	RH PEDAL SPRING
10	1-043JKNF	CAP GASKET	20	625-061JKRCF	BOLT