

CHICAGO FAUCETS
a Geberit company

2100 South Clearwater Drive
Des Plaines, IL 60018
Phone: 847-803-5000
Fax: 847-803-5454
www.chicagofaucets.com

REPAIR PARTS

FITTING NO.

748-CP

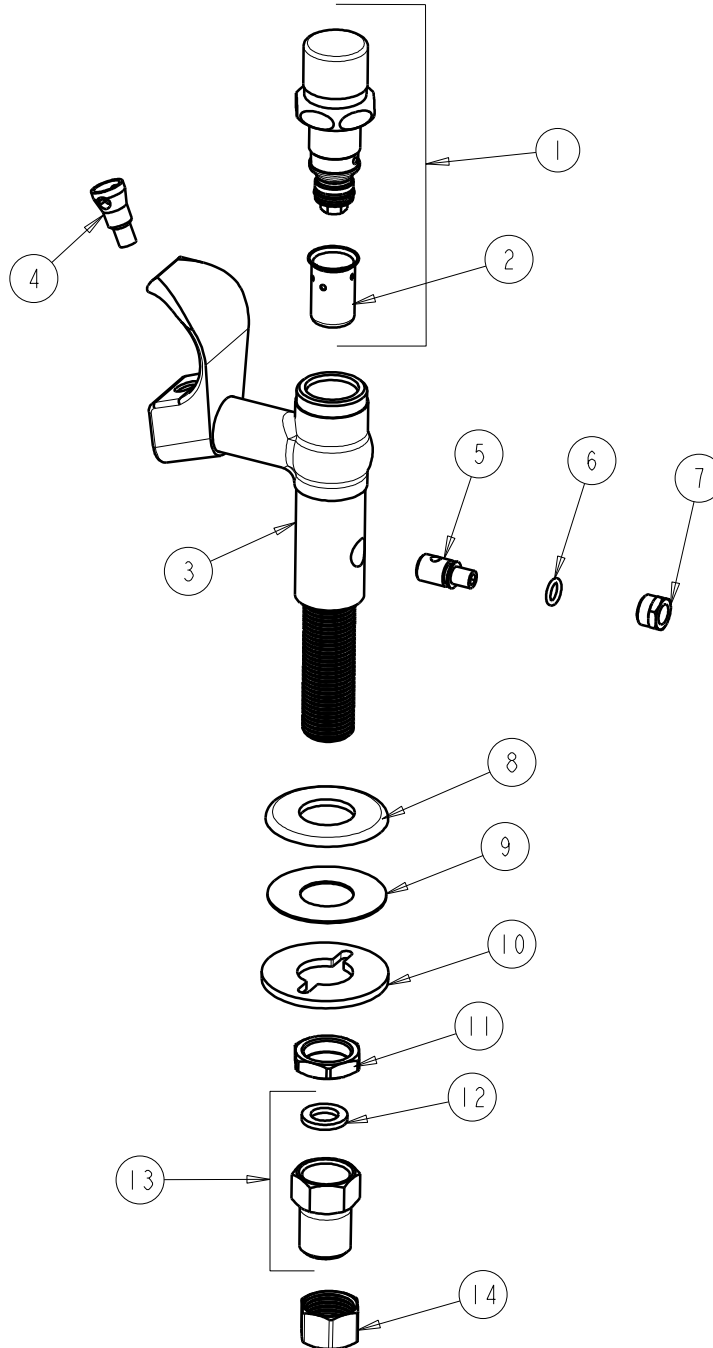
SUBMITTED MODEL NO.

ITEM NO.

BY: SID DATE: 09-27-01

CHK: *[Signature]* REV: 04-13-09

FOR TECHNICAL ASSISTANCE
1-800-TEC-TRUE (1-800-832-8783)



ITEM	PART NO.	DESCRIPTION	ITEM	PART NO.	DESCRIPTION
1	333-XBPSHJKNF	PUSH BUTTON UNIT	8	417-019JKCP	FLANGE, 1.94 X .88 X .11
2	333-075JKNF	DASPOT	9	52-007JKNF	WASHER, RUBBER
3	-----	BODY VALVE NOT SOLD SEPARATELY	10	807-112JKNF	WASHER
4	653-008JKCP	NOZZLE	11	49-004JKRBF	LOCKNUT
5	722-011JKRCF	FLOW CONTROL	12	1001-002JKNF	GASKET
6	319-040JKNF	O-RING	13	722-013KJKRBF	ADAPTER, FLOW CONTROL
7	722-012JKRCF	FLOW CONTROL NUT	14	49-005JKRBF	COUPLING NUT