

CHICAGO FAUCETS
a Geberit company

2100 South Clearwater Drive
Des Plaines, IL 60018
Phone: 847-803-5000
Fax: 847-803-5454
www.chicagofaucets.com

REPAIR PARTS

FITTING NO.

748-335CP

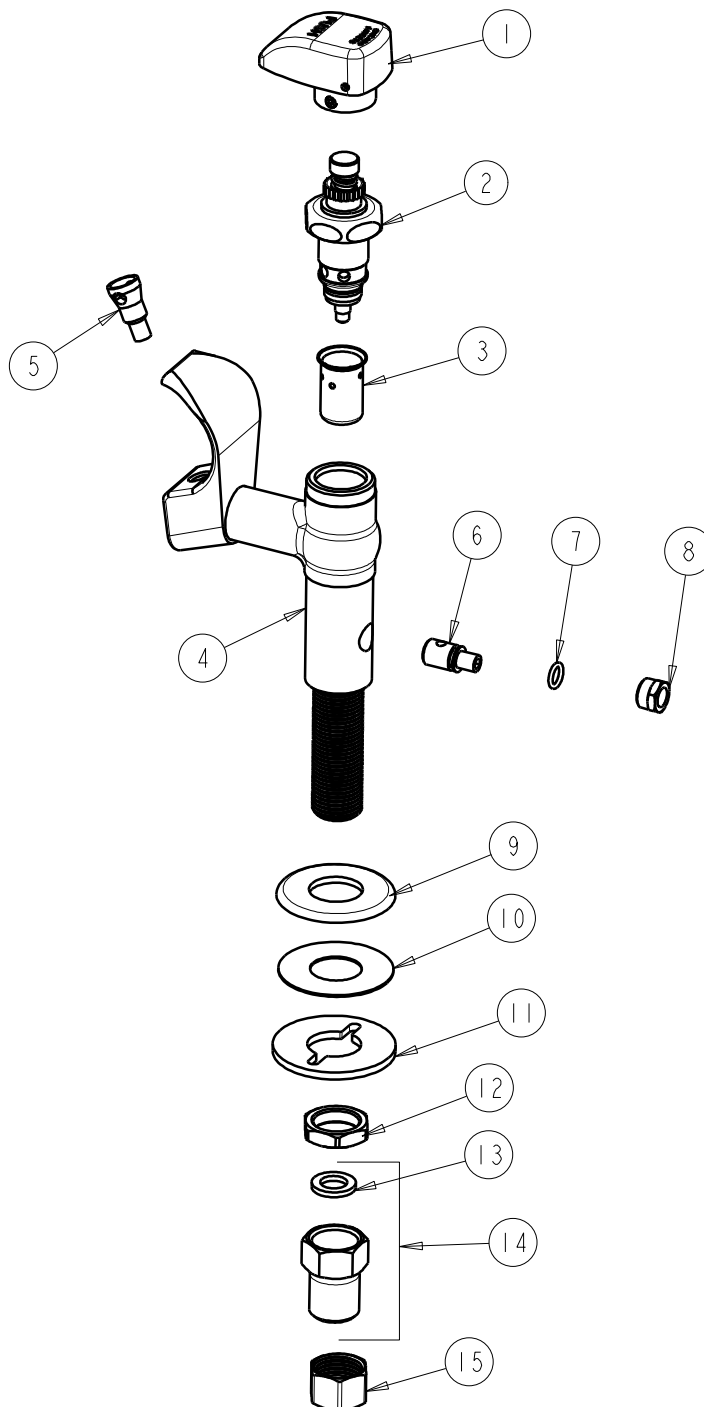
SUBMITTED MODEL NO.

ITEM NO.

FOR TECHNICAL ASSISTANCE
1-800-TEC-TRUE (1-800-832-8783)

BY: SID DATE: 10-07-02

CHK: *[Signature]* REV: 04-13-09



ITEM	PART NO.	DESCRIPTION	ITEM	PART NO.	DESCRIPTION
1	335-207JKNF	PLAIN PUSH TILT HANDLE	9	417-019JKCP	FLANGE, 1.94 X .88 X .11
2	335-XJKNF	TIP TAP UNIT FOR 335X CENTERSET	10	52-007JKNF	WASHER, RUBBER
3	333-075JKNF	DASHPOT	11	807-112JKNF	WASHER
4	-----	BODY VALVE NOT SOLD SEPARATELY	12	49-004JKRBF	LOCKNUT
5	653-008JKCP	NOZZLE	13	1001-002JKNF	GASKET
6	722-011JKRCF	FLOW CONTROL	14	722-013JKRBF	ADAPTER, FLOW CONTROL
7	319-040JKNF	O-RING	15	49-005JKRBF	COUPLING NUT
8	722-012JKRCF	FLOW CONTROL NUT			