

**CHICAGO FAUCETS**  
a Geberit company

2100 South Clearwater Drive  
Des Plaines, IL 60018  
Phone: 847-803-5000  
Fax: 847-803-5454  
www.chicagofaucets.com

**REPAIR PARTS**

FITTING NO.

**625-LPCP**

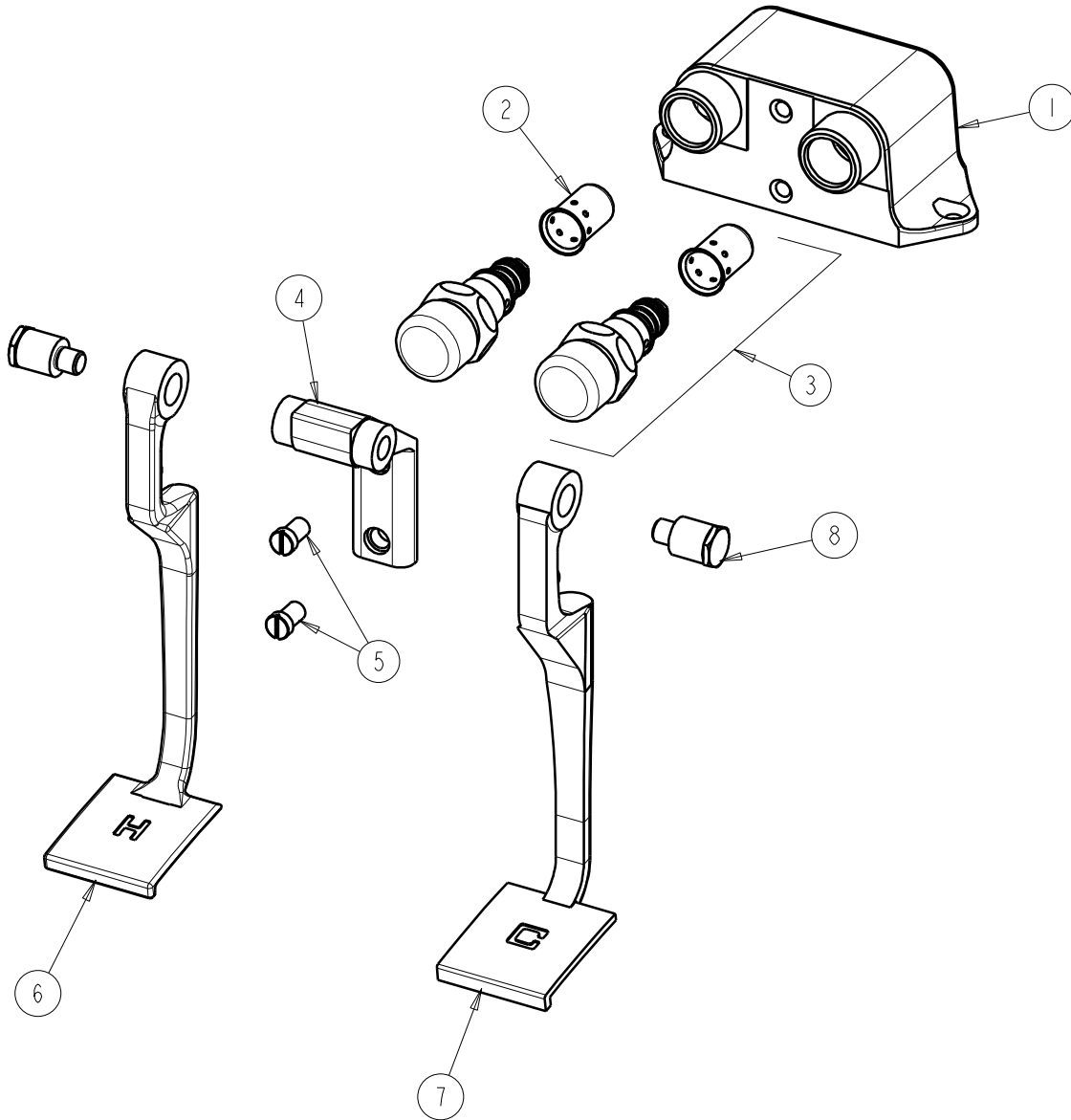
SUBMITTED MODEL NO.

ITEM NO.

**FOR TECHNICAL ASSISTANCE**  
1-800-TEC-TRUE (1-800-832-8783)

BY: SID DATE: 10-04-02

CHK: *[Signature]* REV: 03-10-09



ITEM	PART NO.	DESCRIPTION	ITEM	PART NO.	DESCRIPTION
1	—	VALVE BODY (NOT SOLD SEPARATELY)	5	625-006JKBNF	SCREW, PAN HEAD 5/16-18 UNC
2	333-075JKNF	DASHPOT	6	625-059JKNF	PEDAL, HOT
3	628-XJKNF	FOR PARTS SEE 628X	7	625-159JKNF	PEDAL, COLD
4	625-060JKCP	BRACKET	8	625-061JKRCF	BOLT, SHOULDER 3/8-24 UNF X 5/8 HEX