

PARTS LIST

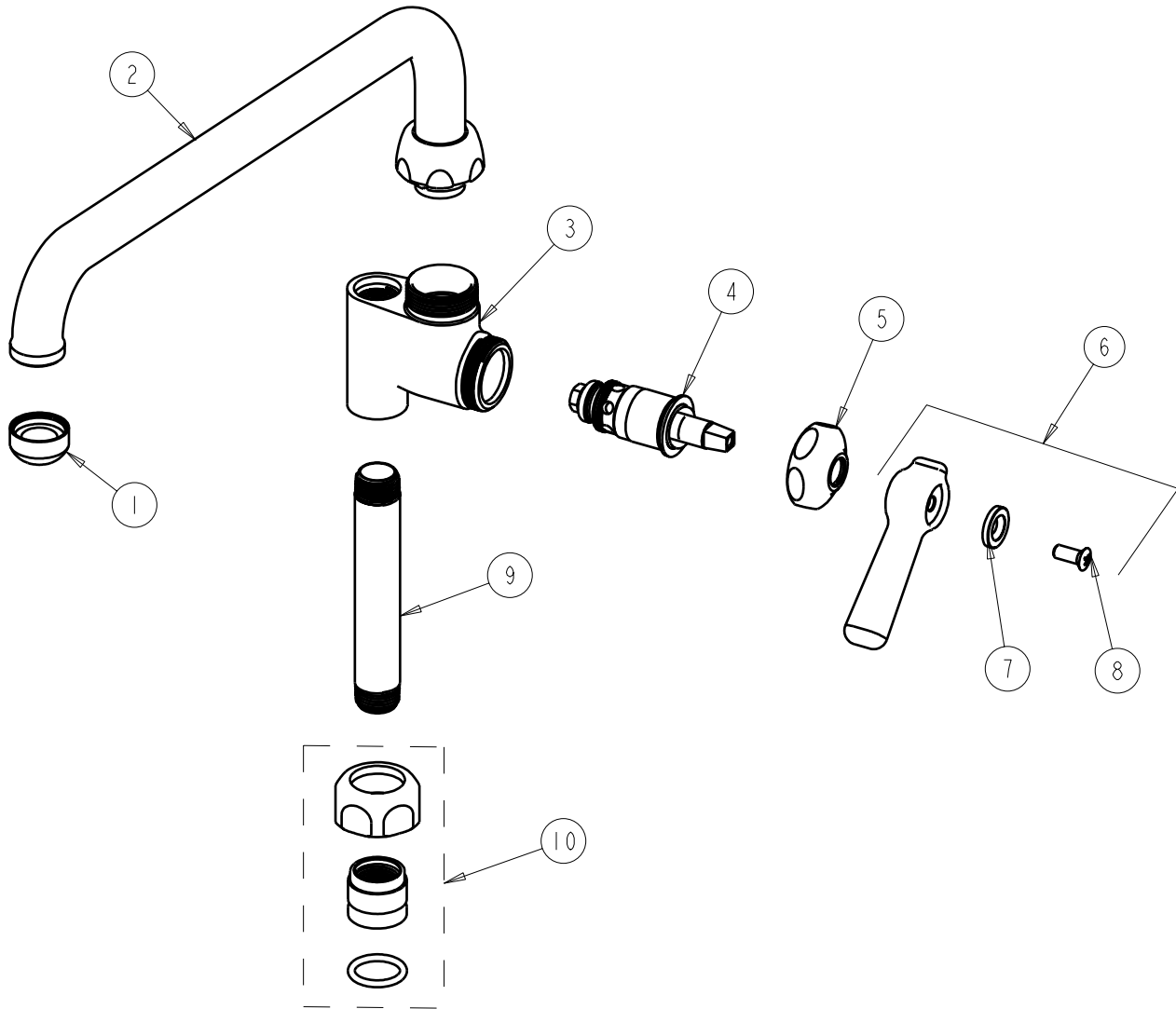
BY: SID
CHK'D: *[Signature]*



FINISH: AS SPECIFIED
DATE: 06-26-07

613-AL12E1

REV:



NOTE:
PART 9 IS ADHESIVED TO ITEM 3 AT THE
FACTORY BUT IS AVAILABLE AS A 'JK' PART.

ITEM	PART NO.	DESCRIPTION	ITEM	PART NO.	DESCRIPTION
1	E1JKRCF	OUTLET	6	369-PLJKCP	PLAIN LEVER HANDLE
2	L12LESSE3JKCP	TUBE SPOUT ASSEMBLY	7	633-223JKNF	INDEX BUTTON (WHITE)
3	-----	VALVE BODY (NOT SOLD SEPARATELY)	8	420-010JKRCF	SCREW, 10-32UNC PH 1/2
4	1-099XTJKNF	QUATURN UNIT (RH)	9	906-002JKCP	NIPPLE 3/8" X 4"
5	1-214JKCP	CAP	10	143-PPJKNF	PRE-PACK