

PARTS LIST

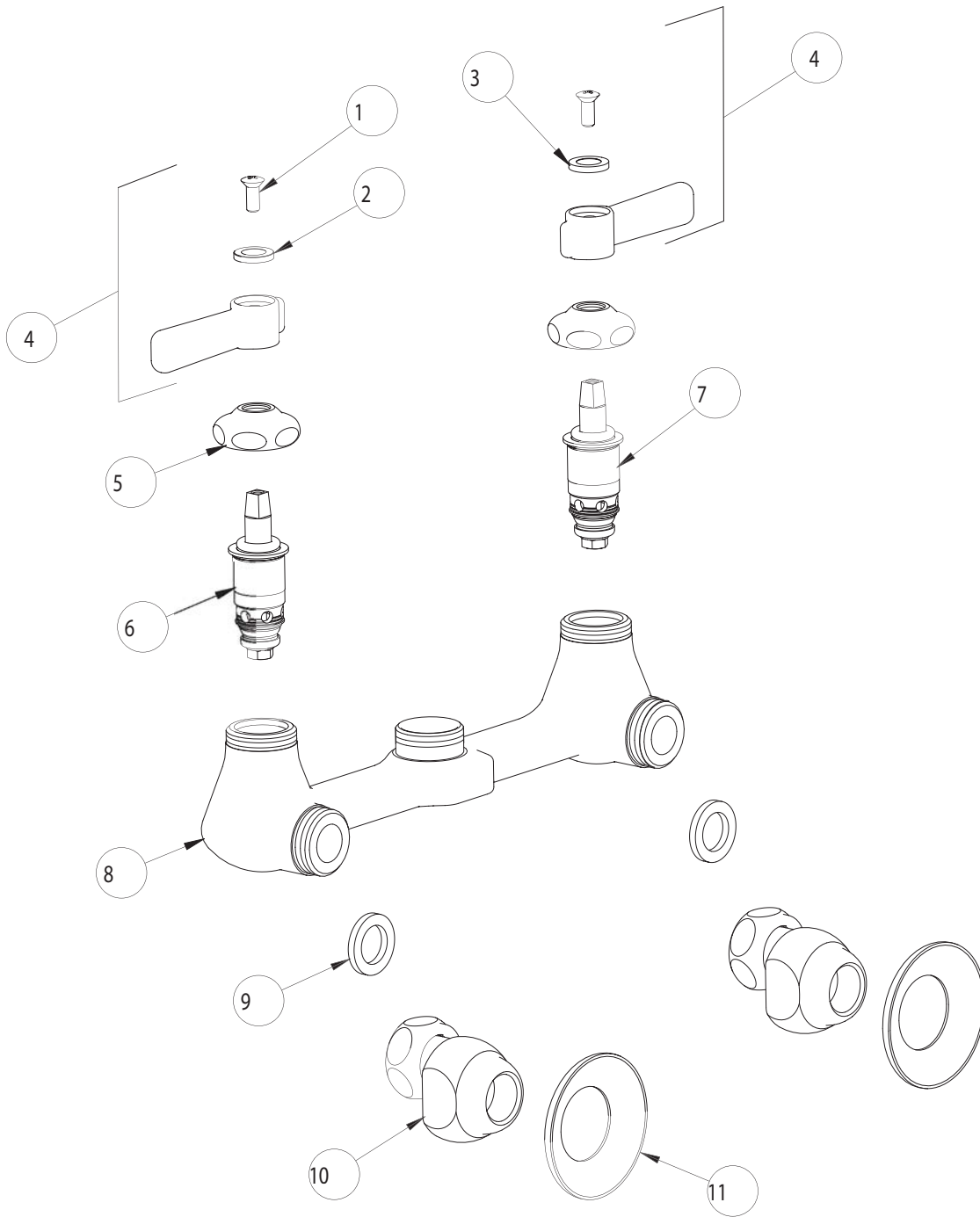
BY: SID
CHK'D:



FINISH:
DATE:

AS SPECIFIED
09-05-01

540-LDLESSSPT



ITEM NO.	PART NO.	DESCRIPTION	ITEM NO.	PART NO.	DESCRIPTION
1	420-010	SCREW	7	1-100XT	QUATURN UNIT (LH)
2	633-123	INDEX BUTTON (BLUE)	8	-----	VALVE BODY (NOT SOLD SEPARATELY)
3	633-023	INDEX BUTTON (RED)	9	1-011	WASHER
4	369PR	LEVER HANDLE ASSEMBLY	10	G	'G' ARM (INCLUDES WASHER)
5	1-214	CAP	11	1-055	FLANGE
6	1-099XT	QUATURN UNIT (RH)			