

PARTS LIST

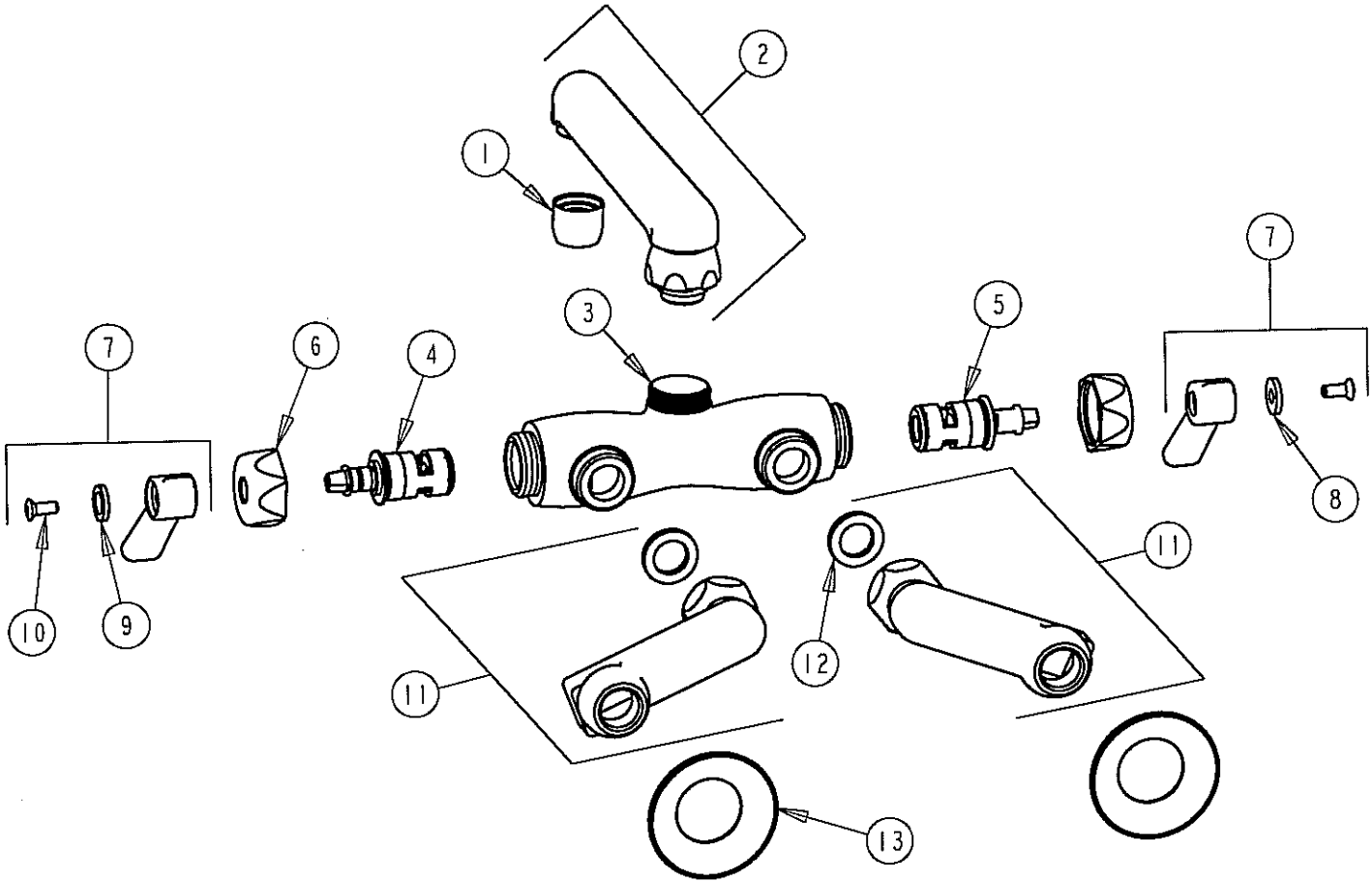
BY: SID
CHK'D: SID

CHICAGO FAUCETS
Last As Long As The Building

FINISH: AS SPECIFIED
DATE: 10-01-02

AS SPECIFIED
10-01-02

445-XK



ITEM NO.	PART NO.	DESCRIPTION	ITEM NO.	PART NO.	DESCRIPTION
1	E3	SOFTFLO OUTLET	8	633-023	INDEX BUTTON (RED)
2	S6	FOR PARTS SEE S6 INCLUDES E3	9	633-123	INDEX BUTTON (BLUE)
3	-----	VALVE BODY (NOT SOLD SEPARATELY)	10	420-010	SCREW
4	1-099XK	RH CERAMIC QUATURN UNIT	11	H	'H' ARM ASSEMBLY w/WASHER
5	1-100XK	LH CERAMIC QUATURN UNIT	12	1-011	WASHER
6	444-005	CAP NUT	13	1-055	FLANGE
7	369PR	LEVER HANDLE ASSEMBLY			