

**CHICAGO FAUCETS**  
a Geberit company

2100 South Clearwater Drive  
Des Plaines, IL 60018  
Phone: 847-803-5000  
Fax: 847-803-5454  
www.chicagofaucets.com

# REPAIR PARTS

FITTING NO.

**445-ABCP**

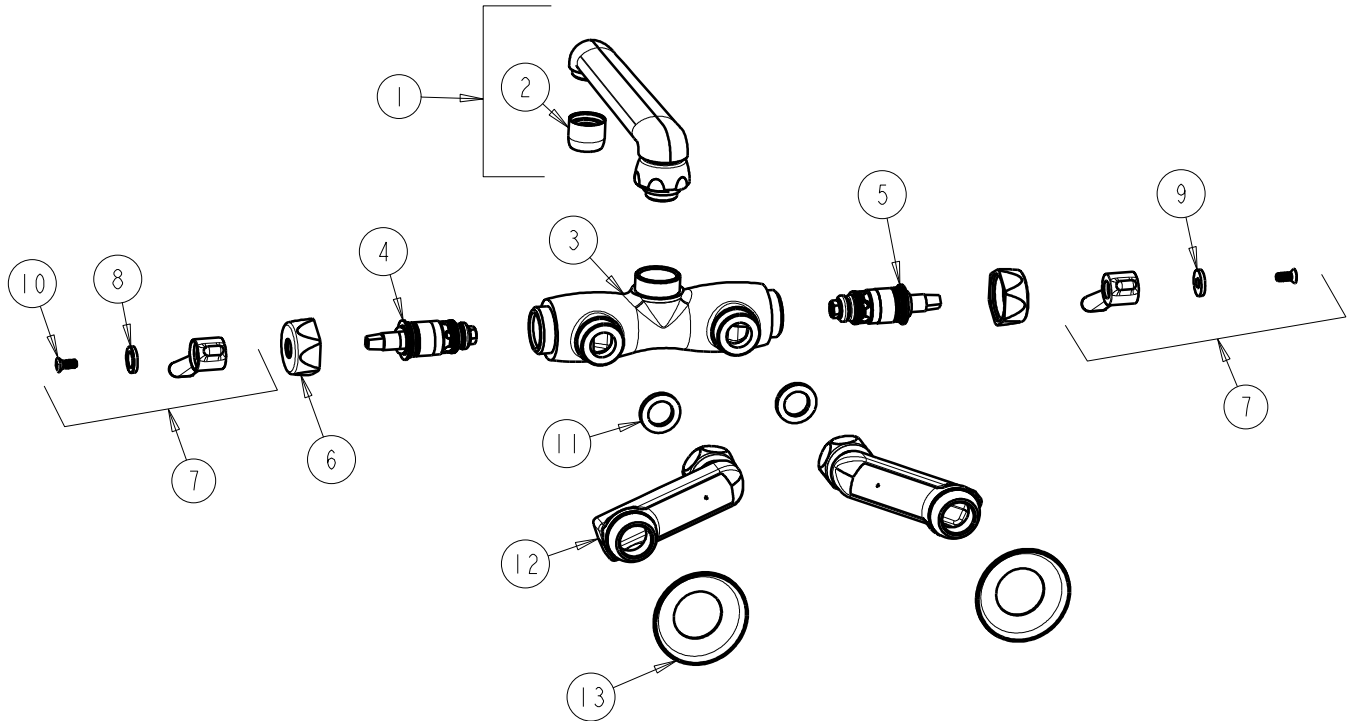
SUBMITTED MODEL NO.

ITEM NO.

BY: JAR DATE: 10-30-08

CHK: *JAR* REV: 08-26-10

**FOR TECHNICAL ASSISTANCE**  
**1-800-TEC-TRUE (1-800-832-8783)**



ITEM	PART NO.	DESCRIPTION
1	S6JKCP	FOR PARTS SEE S6JKCP
2	E3JKCP	SOFTFLO AERATOR OUTLET
3	---	VALVE BODY (NOT SOLD SEPARATELY)
4	1-099XTJKABNF	QUATURN UNIT (RH)
5	1-100XTJKABNF	QUATURN UNIT (LH)
6	444-005JKCP	CAP
7	369-PRJKCP	LEVER HANDLE ASSEMBLY (PAIR)
8	633-123JKNF	INDEX BUTTON (BLUE)
9	633-023JKNF	INDEX BUTTON (RED)
10	420-010JKRCF	SCREW, 10-32 UNC PH 1/2
11	1-011JKNF	WASHER, .97 X .62 X .12
12	---	'H' ARM ASSEMBLY w/WASHER
13	1-055JKCP	FLANGE