

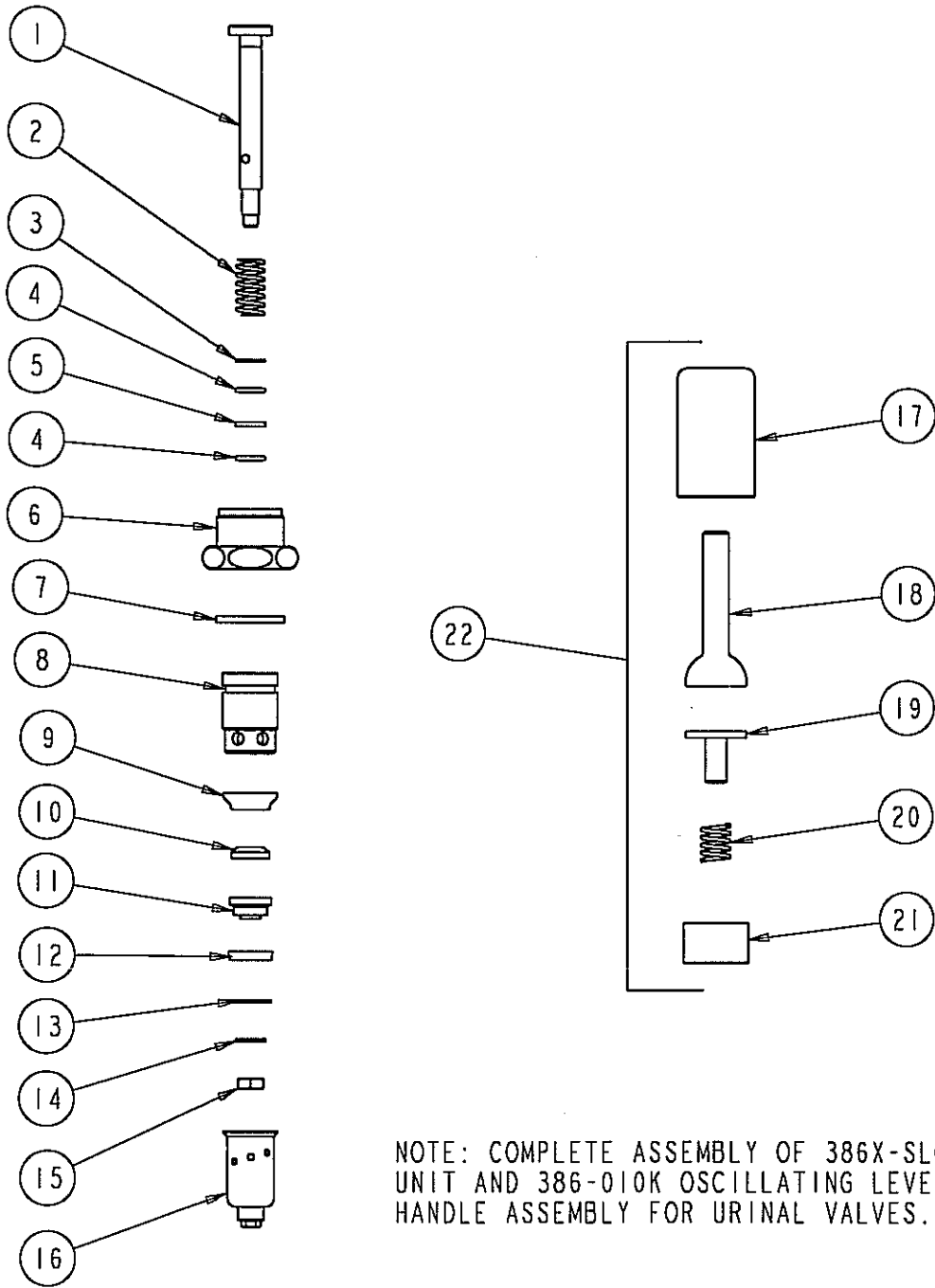
PARTS LIST

BY: MGM
CHK'D: MGM



FINISH: AS SPECIFIED
DATE: 10-17-97

386XSLO



NOTE: COMPLETE ASSEMBLY OF 386X-SLO UNIT AND 386-010K OSCILLATING LEVER HANDLE ASSEMBLY FOR URINAL VALVES.

ITEM NO.	PART NO.	DESCRIPTION	ITEM NO.	PART NO.	DESCRIPTION
1	386-008K	BUTTON AND STEM ASSEMBLY	13	333-039	WASHER
2	395-018	SPRING	14	1-031	STEM WASHER
3	319-012	BRASS WASHER	15	333-097	STEM NUT
4	319-140	O-RING	16	333-073K	SLOW DASHPOT ASSEMBLY
5	319-035	LEATHER WASHER	17	386-010	BONNET
6	618-001	CAP NUT	18	386-009	BALL HANDLE
7	1-043	GASKET	19	386-011	PLUNGER
8	433-042	SLEEVE	20	386-013	SPRING
9	1-027	MONEL SEAT	21	386-014	SLEEVE
10	244-006	RUBBER SEAT WASHER	22	386-010K	HANDLE ASSEMBLY
11	333-026	RETAINER			
12	333-040	RUBBER WASHER			