

CHICAGO FAUCETS
a Geberit company

2100 South Clearwater Drive
Des Plaines, IL 60018
Phone: 847-803-5000
Fax: 847-803-5454
www.chicagofaucets.com

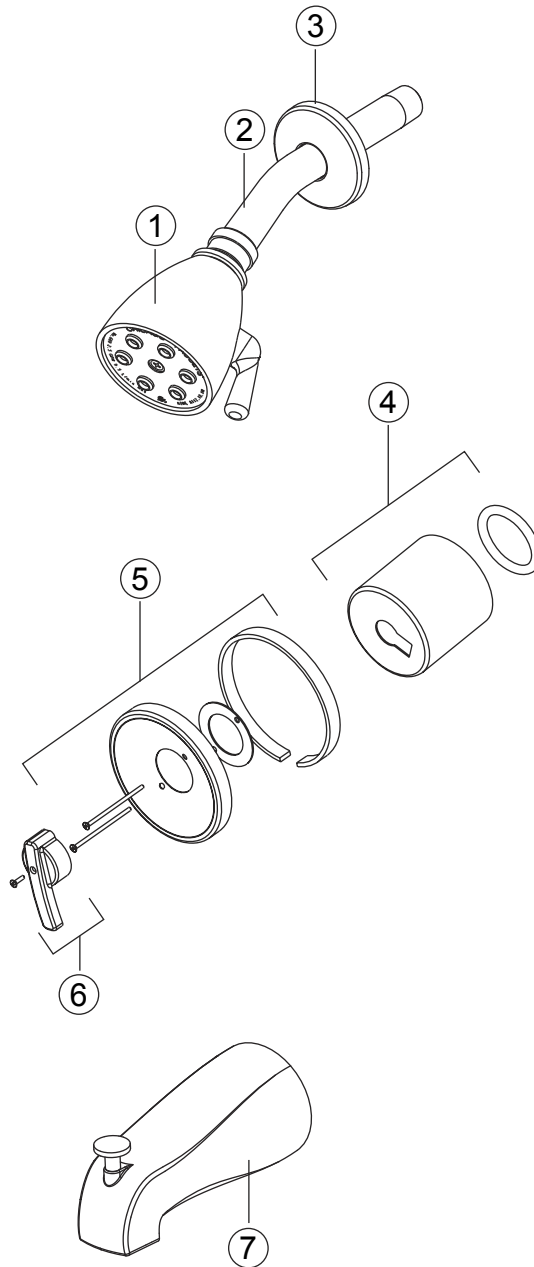
REPAIR PARTS

BY: PT DATE: 06-30-10
CHK: REV:

FITTING NO.
1900-TK600CP
SUBMITTED MODEL NO.

ITEM NO.

FOR TECHNICAL ASSISTANCE
1-800-TEC-TRUE (1-800-832-8783)



NO.	PART NO.	DESCRIPTION
1	600-CP	FOR PARTS SEE 600 SHOWERHEAD
2	415-021JKCP	SHOWER ARM
3	749-016JKCP	WALL FLANGE
4	1900-009KJKCP	PB SLEEVE KIT
5	1900-007JKCP	PB FACEPLATE KIT
6	1900-008KJKCP	PB HANDLE KIT
7	749-S	TUB SPOUT