

# Central Brass

C O M P A N Y

Brecksville, Ohio 44141

Phone: (216) 883-0220 Fax: (440) 526-5745

www.CentralBrass.com

**MODEL NO. 0426**  
**PUSH BUTTON**  
**GRAVITY FAUCET**

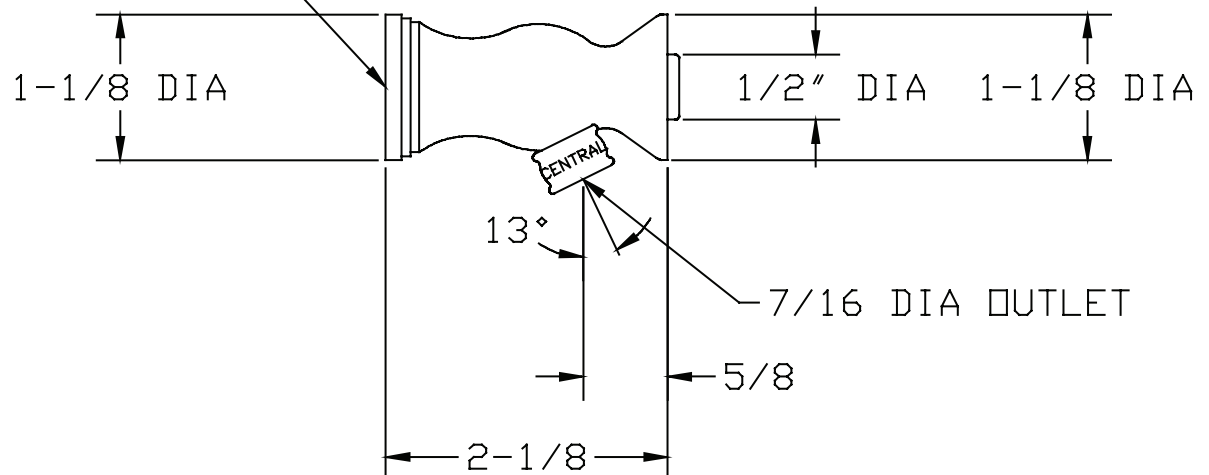
The self-closing push button gravity faucet has a solid brass body. The stem is spring loaded closing the faucet against low pressure water. The spout and internal metal parts are brass. The seat washer is EPDM rubber and the packing is a felt material. A 3/8-inch female straight pipe thread is provided for the inlet connection. The push button faucet has a polished chrome plated finish.

Meets ANSI/NSF Standard 61, Section 9, for Lead



## Installation Drawing

3/8-18 NPSM FEMALE  
STRAIGHT PIPE THREAD



# Central Brass

C O M P A N Y

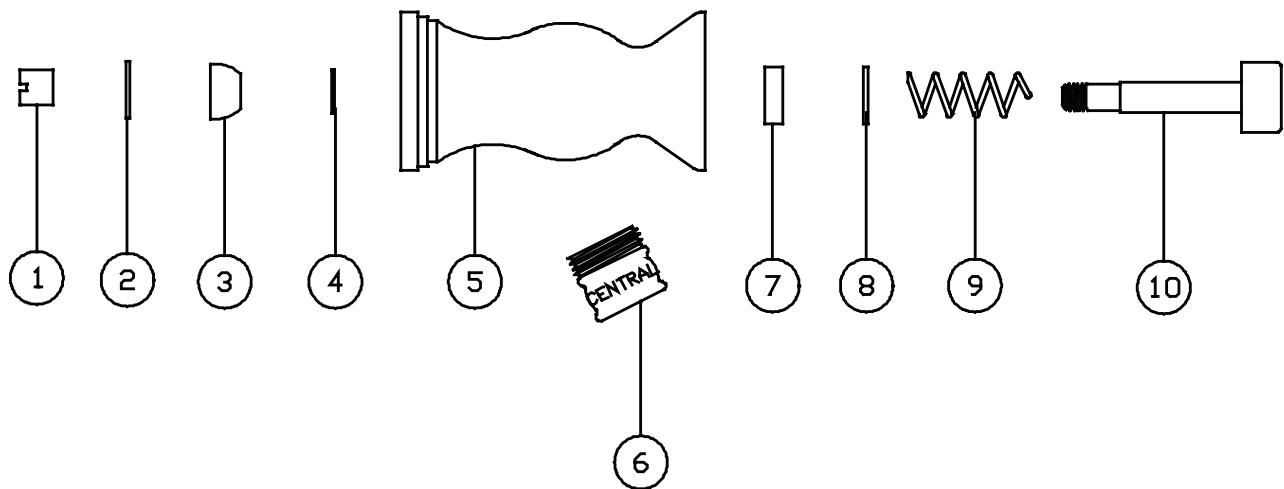
Brecksville, Ohio 44141

Phone: (216) 883-0220 Fax: (440) 526-5745

www.CentralBrass.com

**MODEL NO. 0426**  
**PUSH BUTTON**  
**GRAVITY FAUCET**

## Parts Breakdown



#	Part #	Description
1	PF-279-CW	Brass Nut
2	279-L	Brass Washer
3	945	Rubber Seat Washer
4	279-E	Brass Washer
5	PF-6901-BR	Brass Faucet Body
6	279-BA	Brass Spout
7	848-B	Felt Packing
8	279-D	Brass Washer
9	279-V	Phosphor Bronze Spring
10	PF-279-FRC	Brass Stem

The parts listed in the parts breakdown above may not be offered separately as replacement parts. Please review the Replacement Parts page for the authorized replacement parts that are available for this item.