

Central Brass

C O M P A N Y

Brecksville, Ohio 44141

Phone: (216) 883-0220 Fax: (440) 526-5745

www.CentralBrass.com

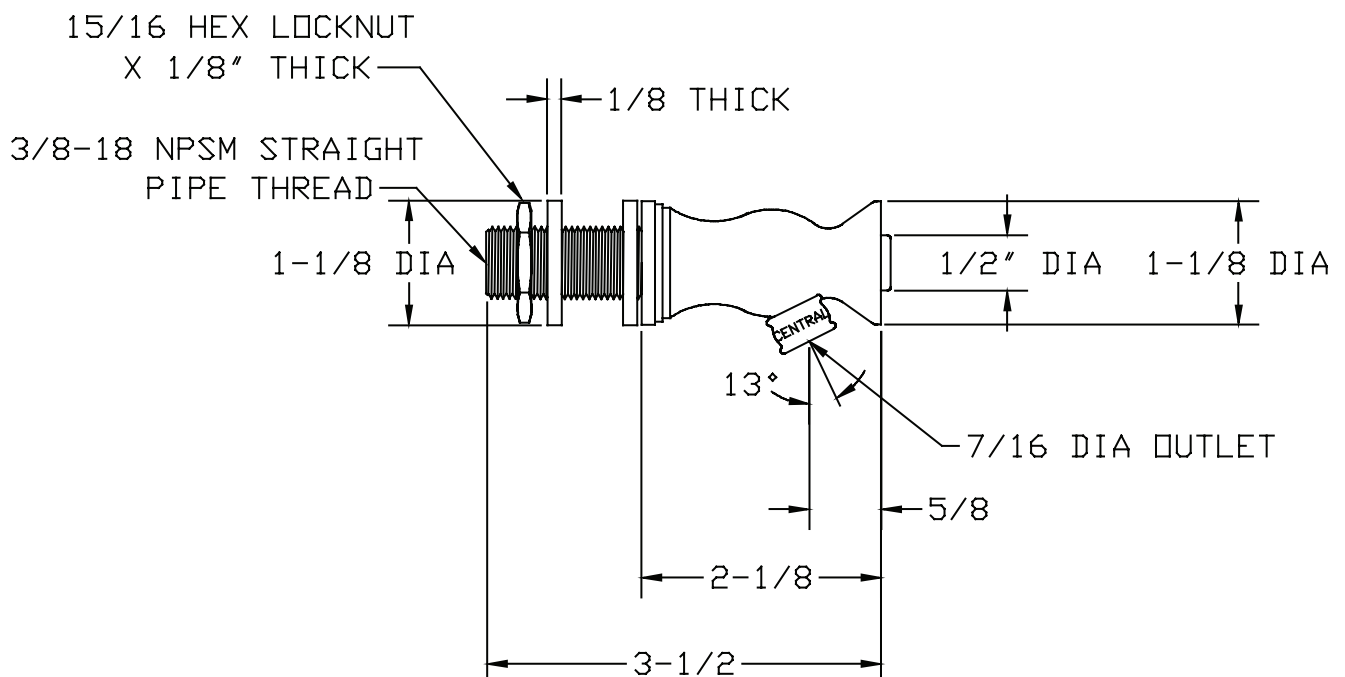
MODEL NO. 0425
PUSH BUTTON
GRAVITY FAUCET

The self-closing push button gravity faucet has a solid brass body. The stem is spring loaded closing the faucet against low pressure water. The spout and internal metal parts are brass. The seat washer is EPDM rubber and the packing is a felt material. A 3/8-inch straight pipe thread male shank is provided with rubber washers and a locknut for mounting. The push button faucet has a polished chrome plated finish.

Meets ANSI/NSF Standard 61, Section 9, for Lead



Installation Drawing



Central Brass

C O M P A N Y

Brecksville, Ohio 44141

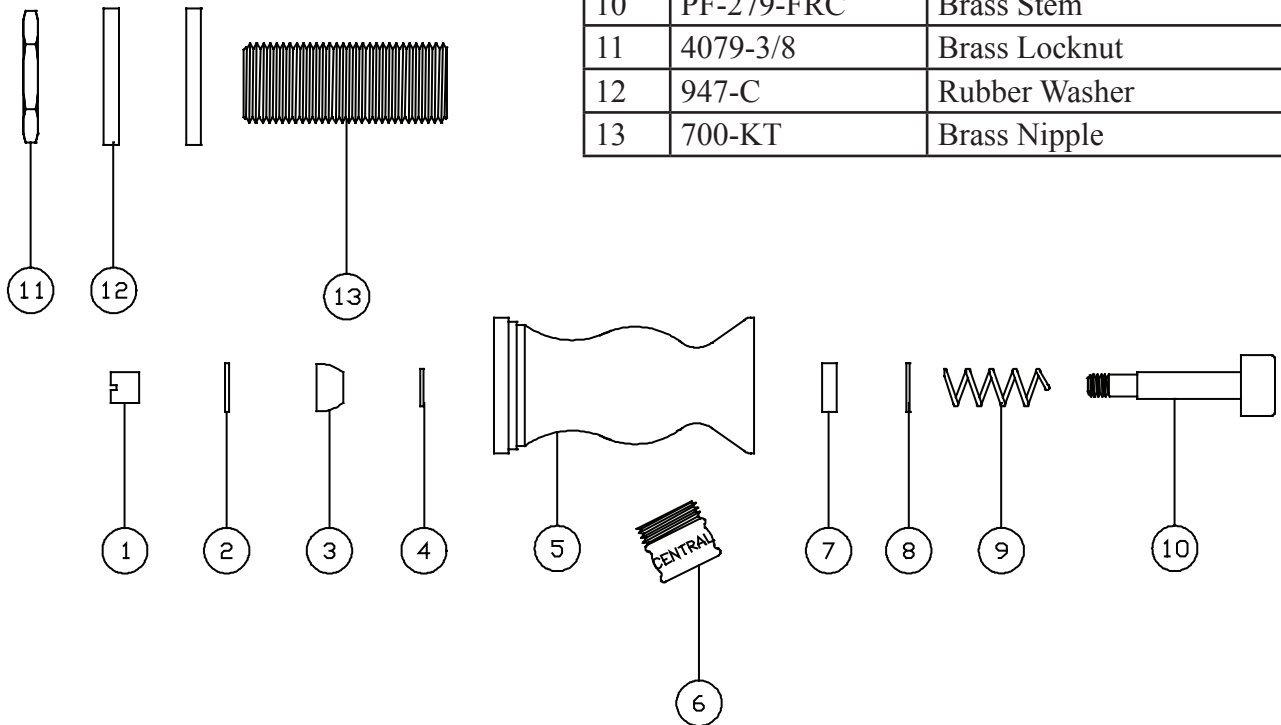
Phone: (216) 883-0220 Fax: (440) 526-5745

www.CentralBrass.com

MODEL NO. 0425
PUSH BUTTON
GRAVITY FAUCET

Parts Breakdown

#	Part #	Description
1	PF-279-CW	Brass Nut
2	279-L	Brass Washer
3	945	Rubber Seat Washer
4	279-E	Brass Washer
5	PF-6901-BR	Brass Faucet Body
6	279-BA	Brass Spout
7	848-B	Felt Packing
8	279-D	Brass Washer
9	279-V	Phosphor Bronze Spring
10	PF-279-FRC	Brass Stem
11	4079-3/8	Brass Locknut
12	947-C	Rubber Washer
13	700-KT	Brass Nipple



The parts listed in the parts breakdown above may not be offered separately as replacement parts. Please review the Replacement Parts page for the authorized replacement parts that are available for this item.