



Commercial Plumbing Fixtures & Parts Catalog

40,000+ Products · 250+ Manufacturers



Helping Make Your Job Easier!

Toll Free 800.518.5388 · KullySupply.com

Table of Contents

Sloan Valve

Royal Flushometer	3
Regal Flushometer	4
Optima Sensor System	5
Optima Plus Sensor Valve	6
Optima Plus G2 Sensor Valve.....	7
General Sloan Parts	8
Complete Flushometers	9

Toilet Parts

General Parts 10-11

Zurn Faucets

Lavatory Faucets.....	12
Faucets.....	13

Faucets Parts

General Parts	14
---------------------	----

Chicago Faucet

Cartridges	15-16
Spouts	17-18
General Parts	19

T&S Brass

Pre-Rinse Parts	20
-----------------------	----

Water Coolers

Complete Water Coolers	21
Drinking Fountain Parts	22

Bradley Washfountain

Foot Valve	23-24
Check Stops	25
Mixing Valves	26
Sprayhead	27
Volume Control Valve	27
Solenoid Valve.....	28
Soap Valves	29-30
Sensor Units	31
Push & Air Metering Valves.....	32-33

Bradley Showerhead

Showerheads.....	34
Bradrol Valve.....	35-37
Diverter Valve	38
Equa-Flo Valve	39-42
Equa-Flo HD Valve	43-44
Thermostatic Valve.....	45-46
Pressure Balancing Valve	47-48
Compression Valve	49
Touch N' Flo.....	50
Hand Held Shower Head	51

Bradley Eyewash

Eyewash Parts	52
---------------------	----

Call Now! In stock orders shipped the same day!
No minimum order!

Account Setup

Easy account setup for schools and most institutions. We accept purchase orders or verbal orders.

How to Order

Simply call or fax your order. Include billing and shipping address, PO# or name of buyer, part # and quantity.

Back Orders

We automatically send out back-ordered items unless requested otherwise.

Terms

Net 30 days
 No minimum order
 Prices subject to change
 Freight pre-paid and added to your order.

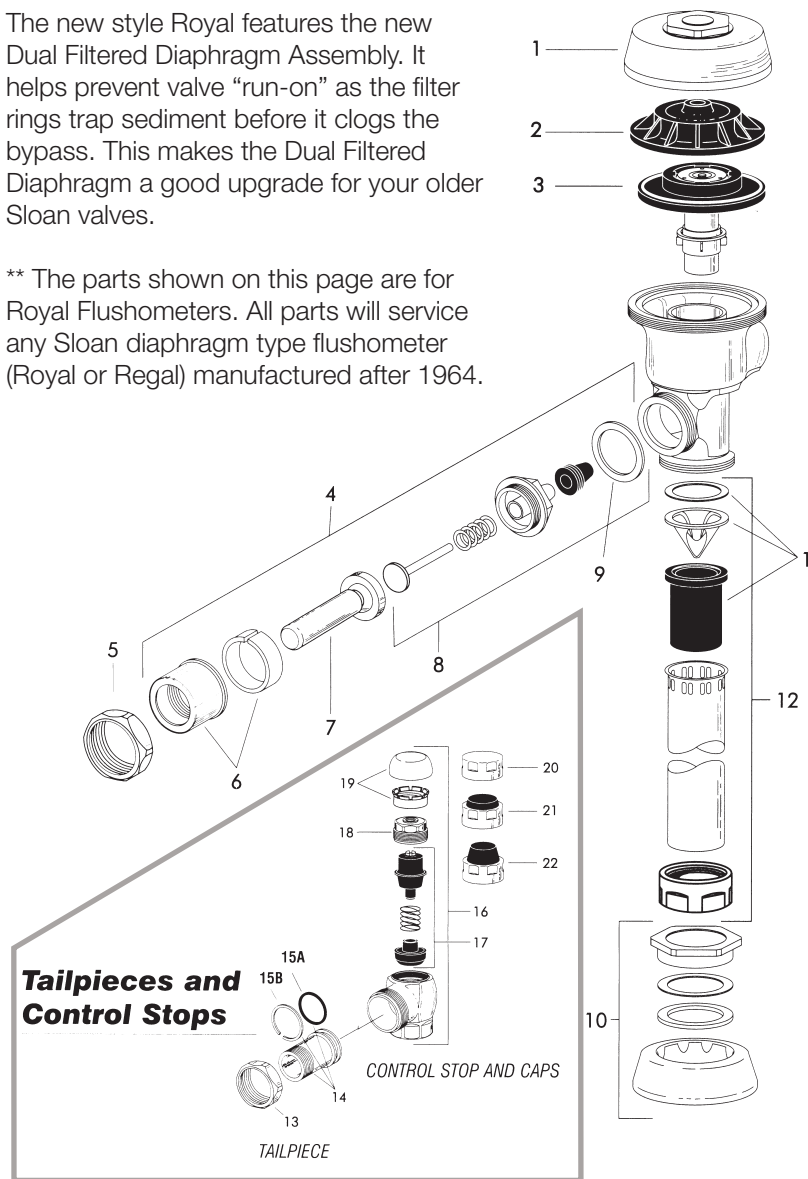
Returns

Stock items may be returned at no charge within 30 days of receipt of goods. Customer must obtain a Return Goods Authorization from Kully Supply, Inc. before returning goods.

Royal Flushometer

The new style Royal features the new Dual Filtered Diaphragm Assembly. It helps prevent valve "run-on" as the filter rings trap sediment before it clogs the bypass. This makes the Dual Filtered Diaphragm a good upgrade for your older Sloan valves.

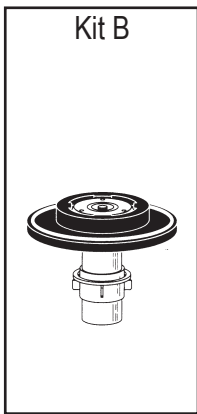
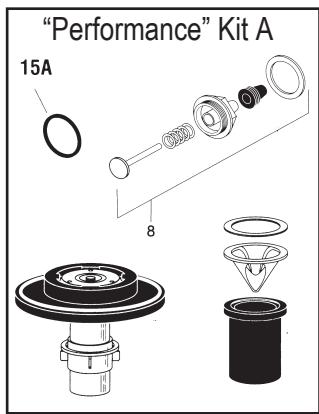
** The parts shown on this page are for Royal Flushometers. All parts will service any Sloan diaphragm type flushometer (Royal or Regal) manufactured after 1964.



Item	Part #	Description
1	101227	Cover, chrome plated
2	101278	Inside Cover
3	----	Dual Filtered Diaphragm Kits (refer to table below)
4	101279	CP ADA Triple Seal Handle Assembly
5	101280	CP Handle Coupling
6	101281	CP Socket Assembly
7	107442	CP ADA Handle
8	101283	Triple Seal Handle Repair Kit
9	101284	Handle Gasket
10	101285	3/4" CP Spud Coupling Assembly
	101286	1-1/2" CP Spud Coupling Assembly
	101287	1-1/2" CP Spud Coupling Assembly
11	101288	High Back Pressure Vacuum Breaker Kit
12	101289	3/4"x9" CP Vacuum Breaker
	101290	1-1/2" x 9" CP Vacuum Breaker
	107443	1-1/4" x 9" CP Vacuum Breaker
13	107085	CP Stop Coupling
14	101293	CP Adjustable Tailpiece (2-1/16" long)
15A	101294	O-Ring
15B	101295	Locking Ring
16	101296	1" CP Bak-chek Screwdriver Stop
	101297	3/4" CP Bak-chek Screwdriver Stop
17	101298	Control Stop Repair Kit*
	101299	Control Stop Repair Kit**
18	101300	CP Bonnet*
	107444	CP Bonnet**
19	101302	Vandal Resistant Stop Cap Assembly*
	101303	Vandal Resistant Stop Cap Assembly**
20	101304	Control Stop Cap CP*
	101305	Control Stop Cap CP**
21	107445	Control Stop Cap with Bumper*
22	107446	Control Stop Cap with Extended Bumper*

* Use with H-700-A (1" and 3/4") and H-600-A (1") Bak-Chek Screwdriver Control Stops.
 ** Use with H-600-A (3/4") Bak-Chek Screwdriver Control Stops.

Item 3: Dual Filtered Diaphragm Kits

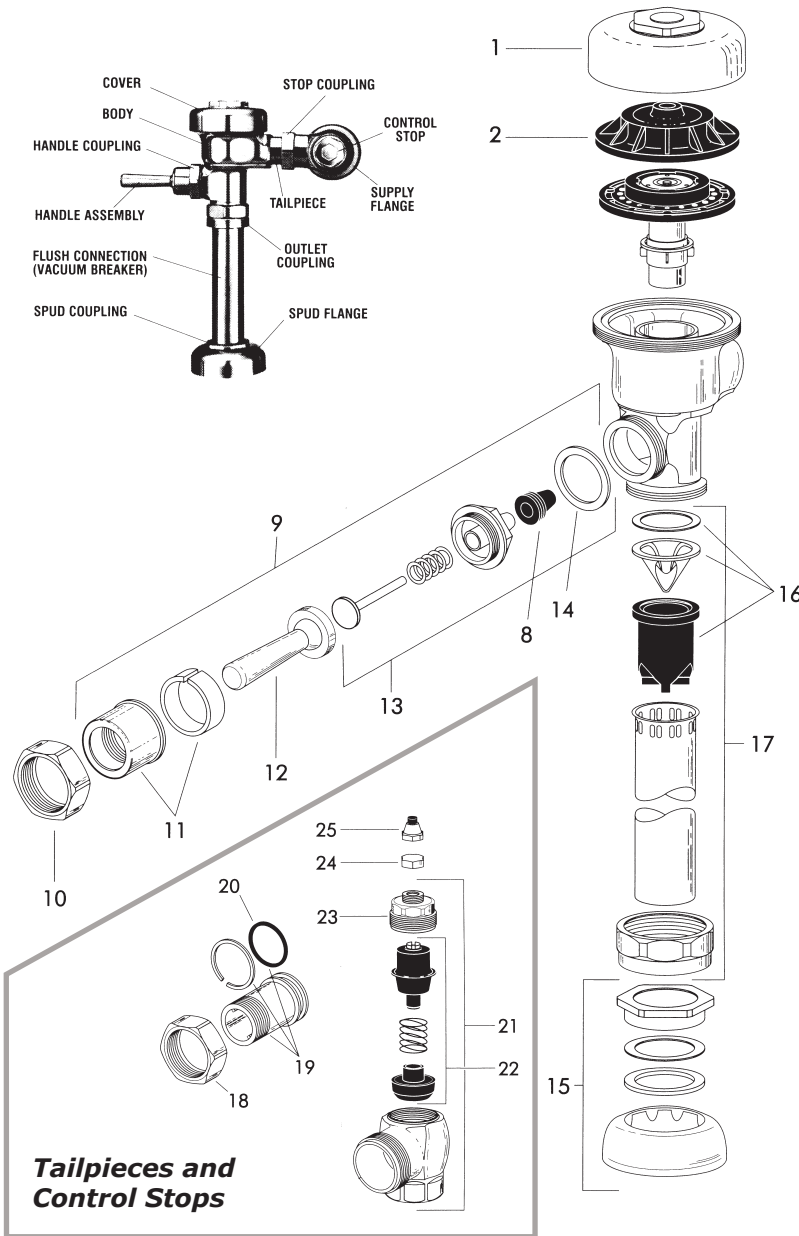


These kits are the new Dual Filtered design. They are available as Kit A with everything you need to rebuild your valve, or as Kit B which is the inside kit only. Component parts for the inside kit are not available separately.

Kit A	Kit B	Volume	Use With
101308	101314	1.6 gpf	Low Consumption Water Closets
101309	101315	3.5 gpf	Water Closets and Blowout Urinals
110036	110029	2.4 gpf	9 Liter European Water Closets
110038	110027	0.5 gpf	Wash Down Urinals
101312	106482	1.0 gpf	Low Consumption Urinals
101313	101319	1.5 gpf	Water Saver Urinals

Regal Flushometer

These parts will service any diaphragm style flushometer manufactured since 1964.



Item	Part #	Description
1	107447	Chrome Plated Cover
2	101278	Inside Cover, Plastic
3A	101321	Relief Valve, White (Closet)
3B	101322	Relief Valve, Black (Urinal)
3C	101323	Relief Valve, Green (Closet/Urinal-LC)
4	101324	Molded Disc
5	101325	Diaphragm, standard
6A	101326	Guide Assembly, 4.5 gpf Closet / 1.5 gpf Urinal
6B	101327	Guide Assembly, 3.5 gpf Closet
6C	101328	Guide Assembly, 1.6 gpf Closet
6D	101329	Guide Assembly, 1.0 gpf Urinal
6E	101330	Guide Assembly, 0.5 gpf Urinal
7	----	See Chart Below
8	101331	Handle Steel
9	101332	CP Handle Assembly
	101279	CP ADA Handle Assembly
10	101280	CP Handle Coupling
11	101281	CP Socket Assembly
12	107448	CP Handle Grip
	107442	CP ADA Handle Grip
13	101334	Handle Repair Kit
14	101284	Handle Gasket
15	101335	3/4" CP Spud Coupling Assembly
	101336	1-1/4" CP Spud Coupling Assembly
	101337	1-1/2" CP Spud Coupling Assembly
16	101338	Vacuum Breaker Repair Kit
17	101339	3/4"x 9" CP Vacuum Breaker
	101340	1-1/4"x 9" CP Vacuum Breaker
	101341	1-1/2"x 9" CP Vacuum Breaker
18	107085	CP Stop Coupling
19	101293	CP Adjustable Tailpiece 2-1/16" long
20	101294	Stop Tail O-Ring
21	110559	1" Screwdriver Bak-Chek Stop CP
	110558	3/4" Screwdriver Bak-Chek Stop CP
22	101298	1" Control Stop Repair Kit*
	101299	3/4" Control Stop Repair Kit**
23	107452	CP Bonnet*
	107453	CP Bonnet**
24	106105	CP Stop Cap Nut
	101347	CP Stop Cap Nut (Vandal Resistant)
25	107454	Stop Cap Nut Bumper

INSIDE PARTS KITS

A	B	C	D	E	F
A-36-A Part #101349 4.5 gpf Closet	A-37-A Part #101350 1.5 gpf Urinal	A-38-A Part #101351 3.5 gpf Closet	A-41-A Part #101352 1.6 gpf Closet	A-42-A Part #101353 1.0 gpf Urinal	A-43-A Part #110061 0.5 gpf Urinal

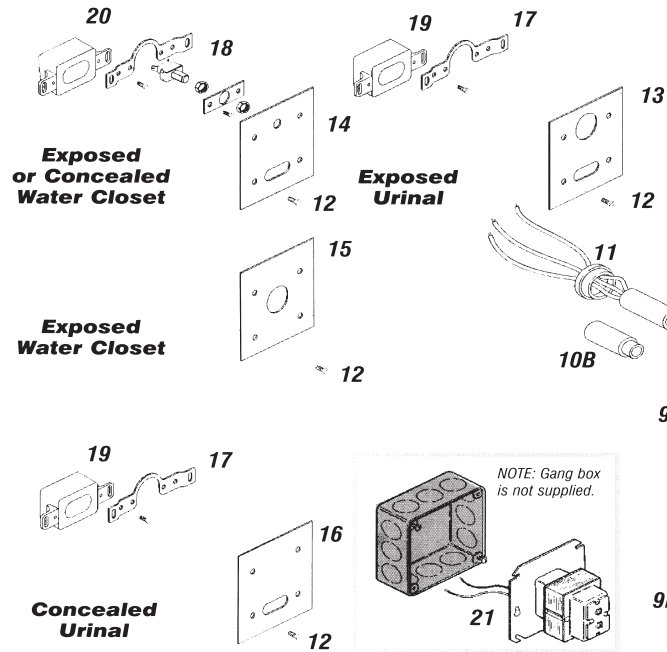
* for use with H-740 1" & 3/4" and H-540-A 1" screwdriver control stops

** Use with H-540-A 3/4" Screwdriver control stops

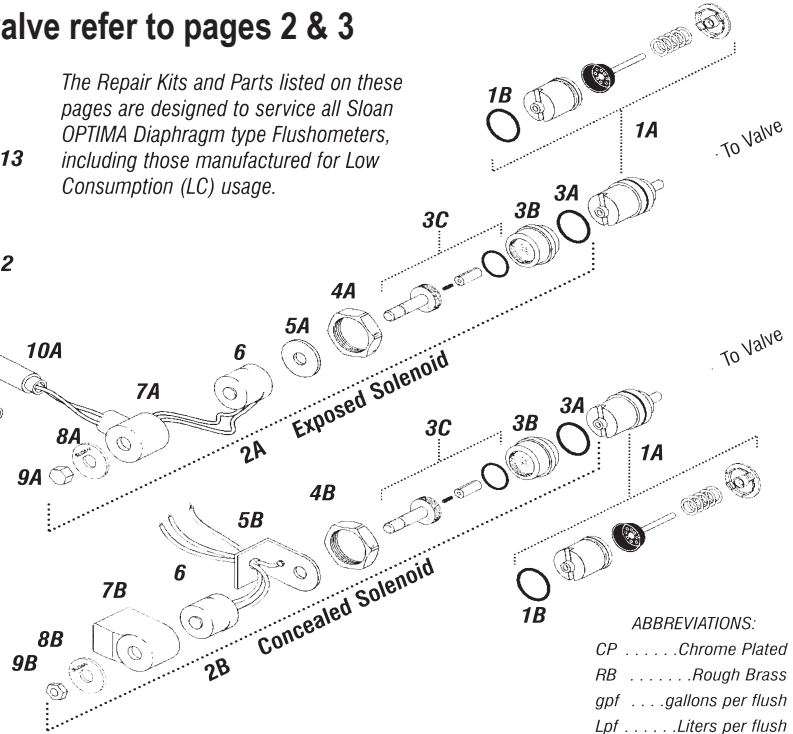
Optima Sensor System

OPTIMA[®] SENSOR OPERATED ROYAL/REGAL FLUSHOMETERS

For parts to service the flushometer valve refer to pages 2 & 3



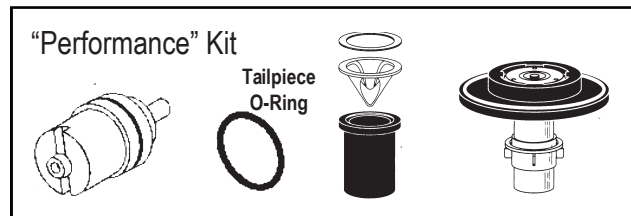
The Repair Kits and Parts listed on these pages are designed to service all Sloan OPTIMA Diaphragm type Flushometers, including those manufactured for Low Consumption (LC) usage.



ABBREVIATIONS:
 CP Chrome Plated
 RB Rough Brass
 gpf gallons per flush
 Lpf Liters per flush

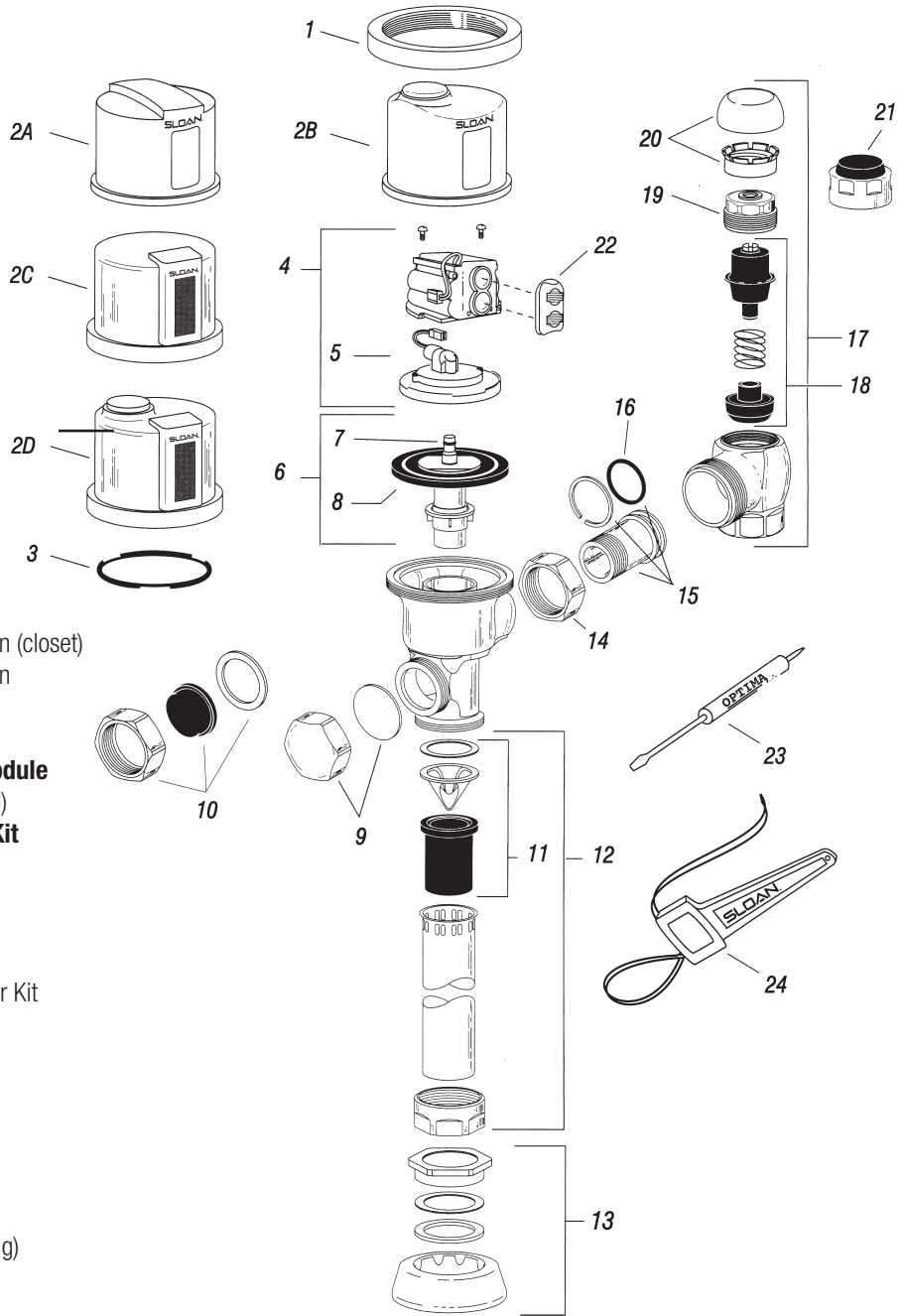
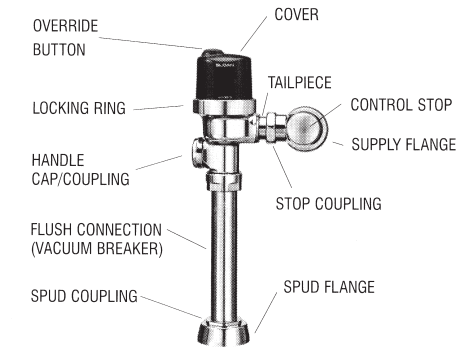
Item	Part #	Description
1A	101355	Actuator Cartridge Assembly Repair Kit
1B	107485	O-ring, Actuator Cartridge
2A	101357	24 VAC Solenoid Assembly CP (exposed)
2B	101358	24 VAC Solenoid Assembly RB (concealed)
3A	107477	O-ring, Solenoid Operator
3B	107478	Adapter for Solenoid CP
3C	101361	Solenoid Shaft Assembly
4A	101280	Handle Coupling CP (exposed)
4B	101280	Handle Coupling CP (concealed)
5A	107469	Solenoid Flux Plate (exposed)
5B	Disc.	Solenoid Flux Plate (concealed)
6	101364	24 VAC Coil
7A	107479	Solenoid Housing CP (exposed)
7B	107487	Solenoid Housing CP (concealed)
8A	107470	Face Plate for 24 VAC Solenoid (exposed)
8B	Disc.	Face Plate for 24 VAC Solenoid (concealed)
9A	101369	Nut for Solenoid CP (exposed)
9B	107471	Housing Nut for Solenoid (concealed)
10A	Disc.	Nipple Assembly Adapter CP
	101372	Nipple Assembly Fine Thread CP (exposed)
10B	Disc.	Nipple Assembly Adapter CP
11	Disc.	Flange Assembly CP (exposed old style)
	101375	Flange Assembly CP (exposed new style)
12	101376	Screws, Cover Plate CP
13	107472	Cover Plate (Urinal only)
14	101378	Cover Plate (Closet only)

Item	Part #	Description
15	107439	Cover Plate (Closet only)
16	101380	Cover Plate for Sensor
17	107473	Yoke Assembly (Urinal only)
18	101382	Override Switch and Yoke Assembly (Closet only)
	107234	Accessory Kit for Urinal w/ Override (Includes Sensor, Wall Plate, Yoke Assembly, Screws, and Allen Wrench)
19	101383	Urinal Sensor Replacement Kit
20	101384	Closet Sensor Replacement Kit
21	101493	Transformer 120 VAC
	101496	Transformer 120 VAC



Part #	Volume	Use With
101387	1.6 gpf	Low Consumption Water Closets
101388	3.5 gpf	Water Closets and Blowout Urinals
110785	2.4 gpf	9 Liter European Water Closets
110786	0.5 gpf	Wash Down Urinals
101391	1.0 gpf	Low Consumption Urinals
101392	1.5 gpf	Water Saver Urinals

Optima Plus



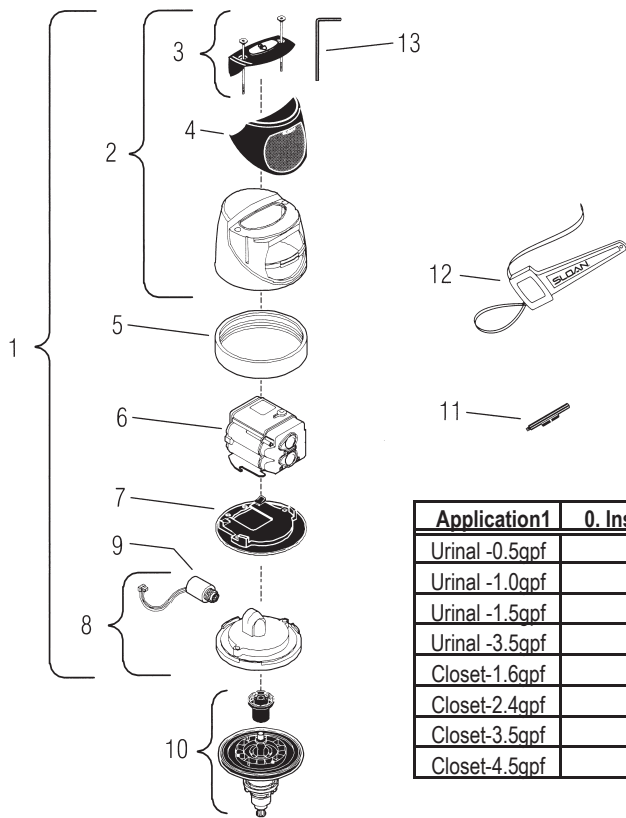
Item	Part #	Description
1	107460	Locking Ring
	107461	Locking Ring for Zurn Valve Bodies
2A	Disc.	Cover, Plastic Urinal
2B	Disc.	Cover, Plastic w/ Override Button
2C	107463	Metal Cover Assembly (urinal)
	107464	Metal Cover Assembly for Zurn
2D	106938	Metal Cover Assy. w/ Override Button (closet)
	107465	Metal Cover Assy. w/ Override Button for Zurn (closet)
3	101401	Cover Gasket
4	----	See Chart Below - Electronic Module
5	101402	Inside Cover Assy (includes solenoid)
6	----	See Chart Below - Inside Parts Kit
7	101403	Quad Ring
8	Disc.	Diaphragm
9	101405	Handle Cap, Metal
10	107467	Handle Cap, Decorative
11	101288	High Back Pressure Vacuum Breaker Kit
12	101289	3/4"x 9" CP Vacuum Breaker
	101290	1-1/2"x 9" CP Vacuum Breaker
	107443	1-1/4"x 9" CP Vacuum Breaker
13	101285	3/4" CP Spud Coupling Assembly
	101286	1-1/4" CP Spud Coupling Assembly
	101287	1-1/2" CP Spud Coupling Assembly
14	107085	CP Stop Coupling
15	101293	CP Adjustable Tailpiece (2-1/16" long)
16	101294	O-Ring
17	101296	1" CP Bak-chek Screwdriver Stop
	101297	3/4" CP Bak-chek Screwdriver Stop
18	101298	Control Stop Repair Kit*
	101299	Control Stop Repair Kit**
19	101300	CP Bonnet*
	107444	CP Bonnet**
20	101302	Vandal Resistant Stop Cap Assembly*
	101303	Vandal Resistant Stop Cap Assembly**
21	107468	Decorative Stop Cap 3/4"
	107445	Decorative Stop Cap 1"
22	101408	Beam Deflector
23	Disc.	Screwdriver
24	101410	Disposable Strap Wrench

Application	4 . Electronic Module	6. Inside Parts Kit
Urinal -0.5gpf	101411	110759
Urinal -1.0gpf	101411	101414
Urinal -1.5gpf	101411	101414
Urinal -3.5gpf	101411	101415
Closet-1.6gpf	101412	101415
Closet-2.4gpf	101412	110757
Closet-3.5gpf	101412	101415
Closet-4.5gpf	101412	101415

* Use with H-700-A (1" and 3/4") and H-600-A (1") Bak-Chek Screwdriver Control Stops.

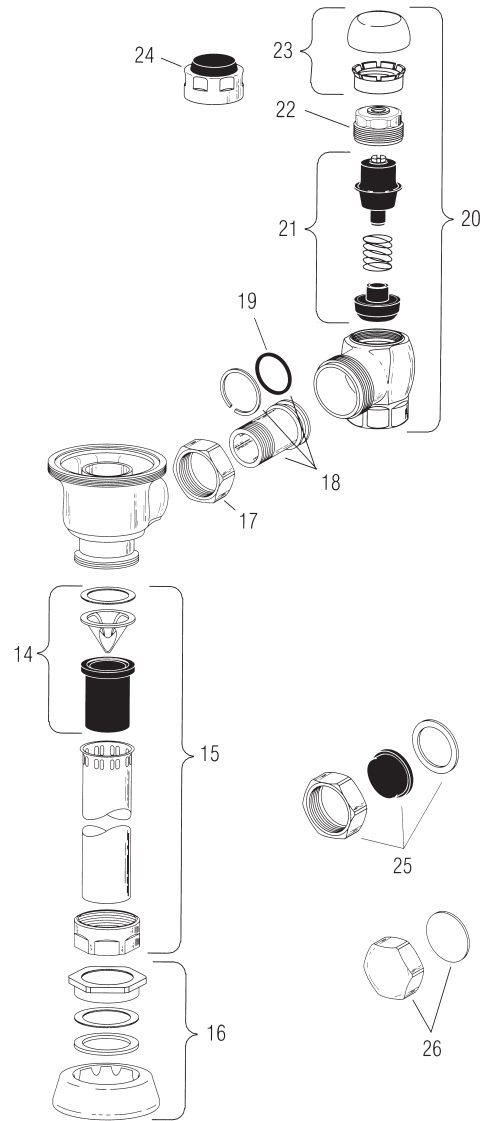
** Use with H-600-A (3/4") Bak-Chek Screwdriver Control Stops.

Optima Plus G2



Application	0. Inside Parts Kit
Urinal -0.5gpf	110759
Urinal -1.0gpf	101414
Urinal -1.5gpf	101414
Urinal -3.5gpf	101415
Closet-1.6gpf	101415
Closet-2.4gpf	107455
Closet-3.5gpf	101415
Closet-4.5gpf	101415

Item	Part #	Description
1	107455	G2 Cover/Ring/Sensor Assy. Closet
	107456	G2 Cover/Ring/Sensor Assy. Urinal
	107457	G2 Cover/Ring/Sensor Assy. Closet for Zurn
	107458	G2 Cover/Ring/Sensor Assy Urinal for Zurn
2	101420	Cover Assembly
3	106077	Override Button Assy
	101422	Screws and Hex Wrench
4	107459	Lens Window Cover
5	107460	Locking Ring
	107461	Locking Ring for Zurn Valve Bodies
6	101424	G2 Electronic Module-Closet
	101425	G2 Electronic Module-Urinal
7	107462	Cover Rest Plate
8	101427	G2 Inside Cover Assy.
9	101428	Isolated Solenoid
10	-----	See Chart - Inside Parts Kit
11	101429	Trimpot Adjustment Screwdriver
12	101410	Disposable Strap Wrench
13	Disc.	Hex Wrench 7/64"
14	101288	High Back Pressure Vacuum Breaker Kit
15	101289	3/4"x 9" CP Vacuum Breaker
	101290	1-1/2"x 9" CP Vacuum Breaker
	107443	1-1/4"x 9" CP Vacuum Breaker
16	101285	3/4" CP Spud Coupling Assembly
	101286	1-1/4" CP Spud Coupling Assembly
	101287	1-1/2" CP Spud Coupling Assembly
17	107085	CP Stop Coupling



Item	Part #	Description
18	101293	CP Adjustable Tailpiece (2-1/16" long)
19	101294	O-Ring
20	101296	1" CP Bak-chek Screwdriver Stop
	101297	3/4" CP Bak-chek Screwdriver Stop
21	101298	Control Stop Repair Kit*
	101299	Control Stop Repair Kit**
22	101300	CP Bonnet*
	107444	CP Bonnet**
23	101302	Vandal Resistant Stop Cap Assembly*
	101303	Vandal Resistant Stop Cap Assembly**
24	107468	Decorative Stop Cap 3/4"
	107445	Decorative Stop Cap 1"
25	107467	Handle Cap, Decorative
26	101405	Handle Cap, Metal

* Use with H-700-A (1" and 3/4") and H-600-A (1") Bak-Chek Screwdriver Control Stops.

** Use with H-600-A (3/4") Bak-Chek Screwdriver Control Stops.

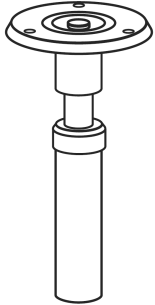
Sloan Parts

**** All Parts are Genuine O.E.M. Sloan**



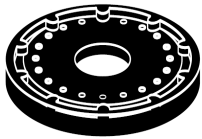
Molded Disc

Part #	Description
101324	Brass and Rubber Molded Disc



Relief Valves

Part #	Description
101321	White Plastic for Closets
101322	Black Plastic for Urinals
101323	Green Plastic - Low Consumption Closets and Urinals



Diaphragm

Part #	Description
101325	Diaphragm
101431	Diaphragm, Molded Disc, Handle Gasket, and Handle Seal



Guide Assembly

Part #	Description
101326	4.5gpf Closet/ 1.5gpf Urinal
101327	3.5gpf Closet
101328	1.6gpf Closet
101329	1.0gpf Urinal
101330	0.5gpf Urinal

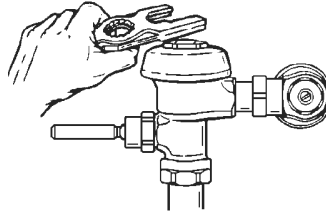
Vacuum Breaker Repair Kits



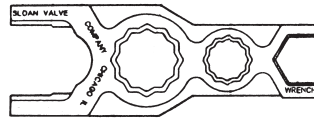
Part #	Description
101338	Old Style Kit
101288	New High Back Pressure Kit

These kits are interchangeable

Sloan Superwrench



This wrench was designed by Sloan to fit all critical connection and couplings on any Sloan flushometer. Specially designed not to harm the smoother chrome finish.

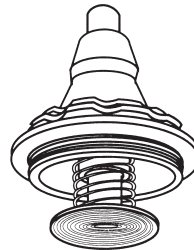


Part #	Description
101432	Superwrench



Timers

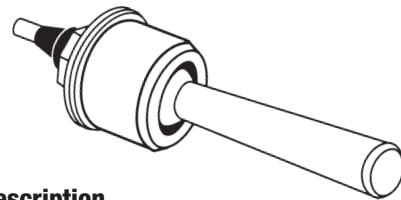
Part #	Description
101433	One Circuit Timer
Disc.	Three Circuit Timer
Disc.	Door Switched Timer



Handle Repair Kits

Part #	Description
101334	Old Style Handle Repair Kit
101283	New Triple Seal Handle Repair Kit

Compete Handle Assemblies

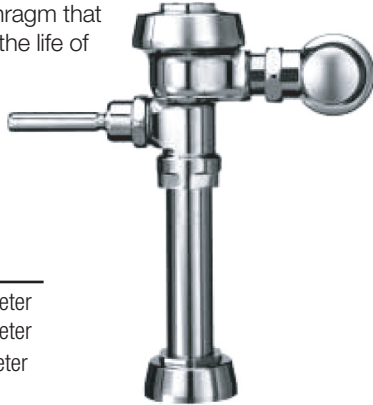


Part #	Description
101279	ADA Handle Assembly
101332	Handle Assembly

Flush Valves

Sloan Royal Flushometer

This Sloan Royal Flushometer is the most commonly used flushometer in commercial and institutional applications. It features a dual-filtered diaphragm that prevents run-on and extends the life of the internal components.



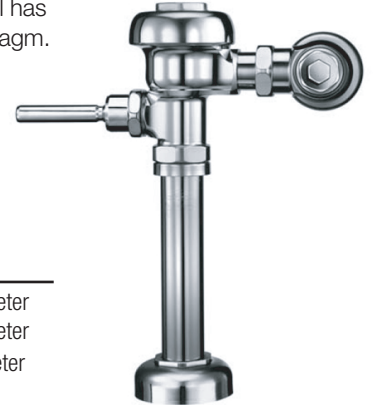
SLOAN.

Part # Description

- 101439** 1.6 GPF Closet Flushometer
- 106208** 3.5 GPF Closet Flushometer
- 101440** 1.5 GPF Urinal Flushometer

Sloan Regal XL Flushometer

This Sloan Regal XL Flushometer is the less expensive version of the Royal Flushometer. This model has the old style single hole diaphragm.



SLOAN.

Part # Description

- 111532** 1.6 GPF Closet Flushometer
- 111530** 3.5 GPF Closet Flushometer
- 111580** 1.5 GPF Urinal Flushometer

Sloan G2 Retrofit Kit

This Sloan G2 retrofit kit will convert a standard manual flush Sloan flushometer to a sensor operated automatic flushometer. It includes a new drop-in inside kit and a cap to cover the existing handle hole. It operates on a 4AA batteries which are included in the kit.



SLOAN.

Part # Description

- 101436** G2 Closet Retrofit Kit
- 101605** G2 Urinal Retrofit Kit

Sloan G2 Optima Plus Flushometer

This complete G2 automatic sensor flushometer is a complete replacement for a manual flushometer. It is available for the closets or urinals. It operates on 4 AA batteries which are included.



SLOAN.

Part # Description

- 101505** 1.6 GPF Closet Flushometer
- 101475** 3.5 GPF Closet Flushometer
- 101442** 1.5 GPF Urinal Flushometer

Zurn E-Z Flush Automatic Retrofit Kit

The Zurn side mount automatic retrofit kit fits Sloan or Zurn flushometers. It replaces the handle and converts the flushometer from manual to automatic. This unit takes 4 C-cell which are included. It also features a courtesy flush button.

ZURN



Part # Description

- 100149** Zurn Side Mount Retro Kit

TC AutoFlush Clamp Kit

The Technical Concepts AutoFlush clamp system simple clamps over the existing handle on your Sloan or Zurn flushometer. When it senses that the user has stepped away it pushes the handle to initiate the flush cycle.

TC
technical concepts

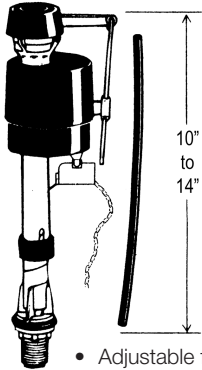


Part # Description

- 106378** TC Closet Clamp Kit
- 106405** TC Urinal Clamp Kit

Toilet Parts

Fluidmaster.

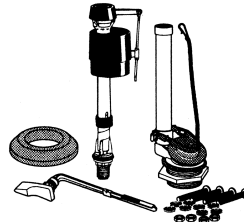


Anti-Siphon Ballcock

- Adjustable fluid level control valve
- Stops noise and dripping
- Adjustable from 9"-14"
- Refill tube included

Part #	Description
100064	Anti-Siphon Ballcock

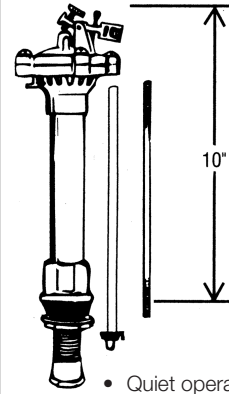
Fluidmaster.



Toilet Repair Kit

- Everything needed for a total toilet tank overhaul
- Includes one flush valve with Adjust-A-Flush Flapper, one Sure-Fit chrome tank lever, one 400A ballcock and a gasket with three bolts

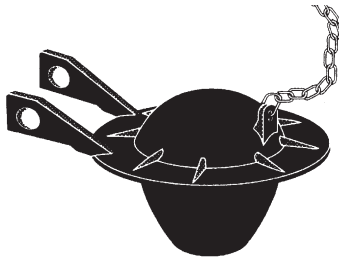
Part #	Description
129709	Toilet Repair Kit



10"-12" Anti-Siphon Ballcock

- Quiet operation
- Non-corrosive
- Includes float rod and four-screws

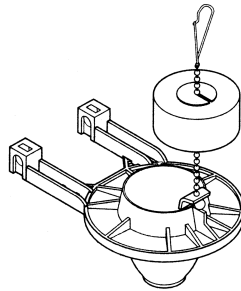
Part #	Description
100123	10" Ballcock
129711	12" Ballcock



Flapper

- Universal flapper features a stainless steel chain and hook
- The rubber is a special compound that doesn't breakdown like typical flappers

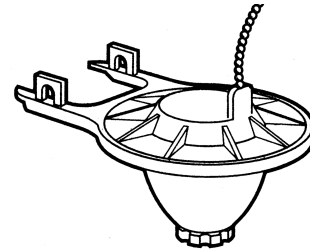
Part #	Description
100063	Toilet Flapper



Adjustable Flapper

- Adjustable float saves water
- Replacement for standard and 1.6 gallon toilet flappers
- Reduces water cost by 20% or more
- Made of Chlorazone which resists harsh chemicals and toilet tank cleaners

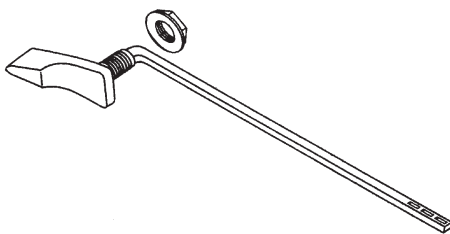
Part #	Description
100176	Adjustable Flapper



Watersaver Flapper

- 7 adjustments ensure maximum water savings at the best flush
- Hard water and chemical resistant
- Fits most every flush valve
- Stainless steel link chain

Part #	Description
129712	Watersaver Flapper



Tank Lever

- Solid brass tank lever
- Handle is chrome plated
- Arm is solid brass to prevent breakage
- Bendable for special applications

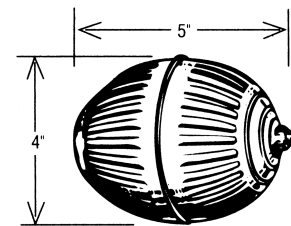
Part #	Description
100073	NEED TO GET



Sure Fit Tank Lever

- Unbreakable
- Easy to install
- Trim to 4", 6", or 8"
- Replaces any handle/lever in most front mount tanks
- Trims to fit, no re-measuring required
- Self-tightening locknut won't loosen over time

Part #	Description
129713	White Plastic Tank Lever
129714	Chrome Plastic Tank Lever

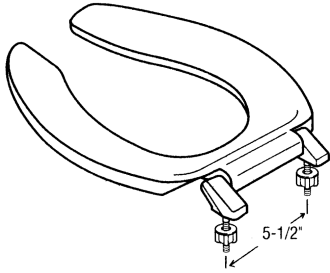


Float Ball

- Plastic Float Ball

Part #	Description
106130	Plastic Float Ball

Toilet Parts

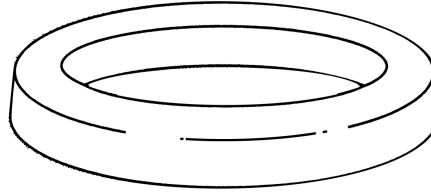


Heavy Duty Plastic Toilet Seat

- Open front elongated seat
- High impact solid plastic injection-molded
- One piece stainless steel hinge posts

Part # Description

- 100192 Black Toilet Seat
- 100193 White Toilet Seat

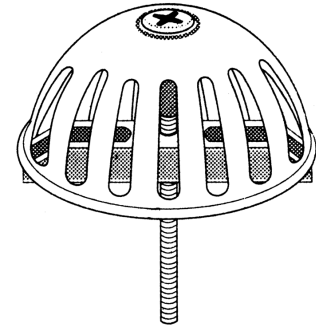


100% Petroleum Bowl Max

- Fits 3" and 4" openings
- Waterproof and odor-proof
- Remains flexible, will not harden or deteriorate
- Complies with federal specification #TT-P-1536A

Part # Description

- 100135 Wax Ring

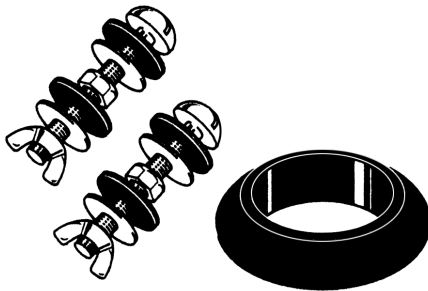


Beehive Urinal Strainer

- Stainless Steel w/ wing nut

Part # Description

- 100242 Urinal Strainer



Solid Brass Tank to Bowl Kit

- Single rubber bevel gasket and two close couple bolt sets per unit
- 5/16" x 3-1/8"

Part # Description

- 100401 Tank to Bowl Kit

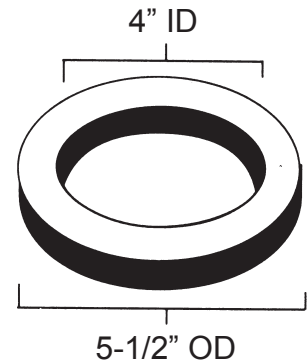


Uethane Bowl Max

- Twenty times more powerful seal than plain wax
- Polyethylene flange
- Fits 3" and 4" openings

Part # Description

- 101068 Wax Ring with Collar

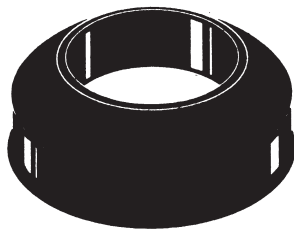


Foam Wall Hung Closet Gasket

- Foam ring for wall hung closets

Part # Description

- 101069 Wall Hung Closet Gasket

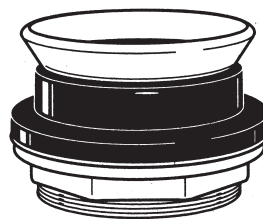


Foam Urinal Drain Gasket

- Foam gasket seals urinal drain outlet

Part # Description

- 101070 Foam Urinal Gasket

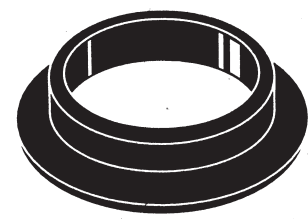


Brass Closet or Urinal Spud

- Brass body and rubber gasket
- Stainless steel friction ring

Part # Description

- 101071 Urinal Spud
- 101073 Closet Spud



Rubber Spud Gasket

- Rubber top-hat style washer

Part # Description

- 101074 Urinal Spud Gasket
- 101076 Closet Spud Gasket

Lavatory Faucets



Lavatory Faucet

- Polished chrome-plated cast brass faucet body
- Quarter turn ceramic disc cartridges
- 4" long integral cast spout
- 2.2 GPM pressure compensating aerator
- 2-1/2" vandal-resistant color-coded metal lever handles

Part # Description

100011 Lavatory Faucet



Lavatory Faucet w/ ADA Handles

- Polished chrome-plated cast brass faucet body
- Quarter turn ceramic disc cartridges
- 4" long integral cast spout
- 2.2 GPM pressure compensating aerator
- 4" vandal-resistant color-coded metal wrist blade handles

Part # Description

100001 ADA Lavatory Faucet



Metering Lavatory Faucet

- Polished chrome-plated cast brass faucet body
- Slowclosing metering cartridges
- 4" long integral cast spout
- Vandal-resistant ADA compliant color-coded metal handles

Part # Description

100263 Metering Lavatory Faucet



4" Centerset Faucet



- Polished chrome-plated cast brass faucet body
- Quarter turn ceramic disc cartridges
- 3-1/2" centerline rigid or swing gooseneck spout
- 2.2 GPM pressure compensating aerator
- 2-1/2" vandal-resistant color-coded metal lever handles

Part # Description

107821 4" Centerset Faucet



4" Centerset Faucet



- Polished chrome-plated cast brass faucet body
- Quarter turn ceramic disc cartridges
- 3-1/2" centerline rigid or swing gooseneck spout
- 2.2 GPM pressure compensating aerator
- 4" vandal-resistant color-coded metal wrist blade handles

Part # Description

107328 4" Centerset Faucet



4" Centerset Faucet



- Polished chrome-plated cast brass faucet body
- Quarter turn ceramic disc cartridges
- 5-3/8" centerline rigid or swing gooseneck spout
- 2.2 GPM pressure compensating aerator
- 2-1/2" vandal-resistant color-coded metal lever handles

Part # Description

107824 4" Centerset Faucet



4" Centerset Faucet



- Polished chrome-plated cast brass faucet body
- Quarter turn ceramic disc cartridges
- 5-3/8" centerline rigid or swing gooseneck spout
- 2.2 GPM pressure compensating aerator
- 4" vandal-resistant color-coded metal wrist blade handles

Part # Description

106657 4" Centerset Faucet



4" Centerset Faucet



- Polished chrome-plated cast brass faucet body
- Quarter turn ceramic disc cartridges
- 8" centerline rigid or swing gooseneck spout
- 2.2 GPM pressure compensating aerator
- 2-1/2"[64mm] vandal-resistant color-coded metal lever handles

Part # Description

129715 4" Centerset Faucet



4" Centerset Faucet



- Polished chrome-plated cast brass faucet body
- Quarter turn ceramic disc cartridges
- 8" centerline rigid or swing gooseneck spout
- 2.2 GPM pressure compensating aerator
- 4" vandal-resistant color-coded metal wrist blade handles

Part # Description

129716 4" Centerset Faucet

Faucets





Z831

6" to 18" Widespread Adjustable Faucet

Polished chrome-plated widespread with adjustable centers from 6" to 20", with a 3-1/2" center-line rigid or swing gooseneck spout and a quarter turn ceramic disc cartridges. Unit is furnished with a 2.2 GPM [8.3 L] pressure compensating aerator, 2-1/2" vandal-resistant color-coded metal lever handles, mounting hardware and 1/2" NPSM coupling nuts for standard lavatory risers.

Match desired handle and spout using the grid below to find specific product part number



	3-1/2" Gooseneck	5-3/8" Gooseneck	8" Gooseneck	8" Cast	9-1/2" Tubular	4-1/2" Vacuum Breaker	6" Vacuum Breaker
	129745	106106	100015	129701	129718	129719	129721
	100275	100326	107301	129702	100025	129720	129722



Z871

Cast 8" Center Deck Kitchen Faucet

Polished chrome-plated 8" [203mm] brass deck faucet with a 3-1/2" [89mm] centerline rigid or swing gooseneck spout and quarter turn ceramic disc cartridges. Unit is furnished with a 2.2 GPM [8.3 L] pressure compensating aerator (complying with ANSI A112.181.1 standard for flow), 2-1/2" [64mm] vandal-resistant color-coded metal lever handles, mounting hardware and 1/2" NPSM coupling nuts for standard lavatory risers.

Match desired handle and spout using the grid below to find specific product part number



	5-3/8" Gooseneck	8" Gooseneck	8" Cast	9-1/2" Tubular
	107825	129725	100016	100002
	129724	100124	100029	129726



Z826

Double Laboratory Faucet

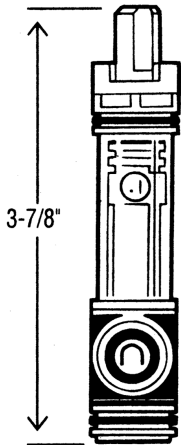
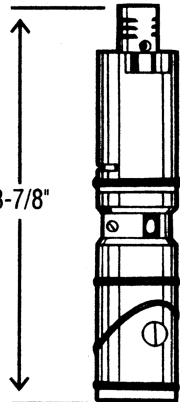
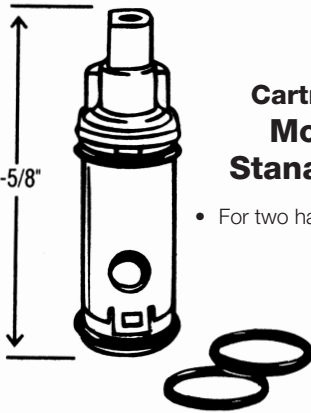
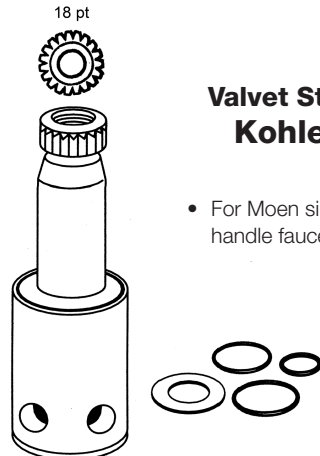
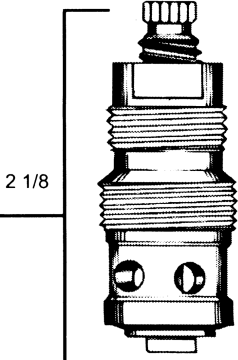
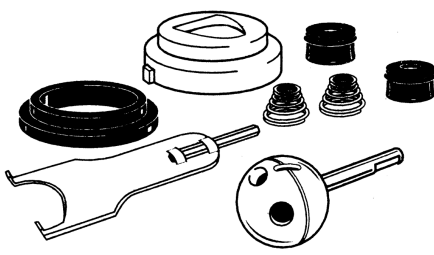
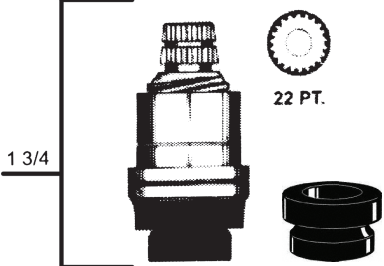

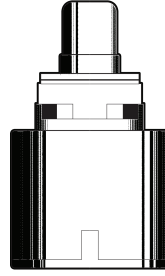
Polished chrome-plated double laboratory faucet with integral shank, quarter turn ceramic disc cartridges, and a 3-1/2" [89mm] centerline rigid or swing gooseneck spout. Unit is furnished with a 2.2 GPM [8.3 L] pressure compensating aerator (complying with ANSI A112.18.1 standard for flow), 2-1/2" [64mm] vandal-resistant color-coded metal lever handles, mounting hardware, and stainless steel flex connection hoses.

Match desired handle and spout using the grid below to find specific product part number

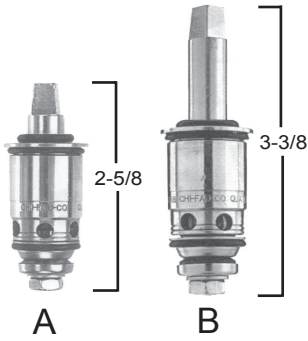


	3-1/2" Gooseneck	5-3/8" Gooseneck	8" Gooseneck	4-1/2" Vacuum Breaker	6" Vacuum Breaker
	129727	100019	129736	129741	107839
	129733	107822	129740	129742	107840

Faucet Parts

 <p>Cartridge Moen Stanadyne</p> <ul style="list-style-type: none"> • For Moen single handle faucets <p>3-7/8"</p> <p>Part # Description</p> <p>100361 Single Handle Cartridge</p>	 <p>Cartridge Moen</p> <ul style="list-style-type: none"> • Brass construction • For single handle faucets <p>3-7/8"</p> <p>Part # Description</p> <p>106461 Single Handle Cartridge</p>	 <p>Cartridge Moen Stanadyne</p> <ul style="list-style-type: none"> • For two handle faucets <p>2-5/8"</p> <p>Part # Description</p> <p>100301 Two Handle Faucet Cartridge</p>
 <p>Valvet Stem Kohler</p> <ul style="list-style-type: none"> • For Moen single handle faucets <p>18 pt</p> <p>Part # Description</p> <p>100207 Hot Kohler Stem</p> <p>100208 Cold Kohler Stem</p>	 <p>Stem Crane</p> <ul style="list-style-type: none"> • Brass construction • For single handle faucets <p>12 PT.</p> <p>2 1/8"</p> <p>Part # Description</p> <p>100098 Hot Crane Stem</p> <p>100099 Cold Crane Stem</p>	 <p>Repair Kit Delta</p> <ul style="list-style-type: none"> • For level handle faucets <p>Part # Description</p> <p>100136 Delta Repair Kit</p>
 <p>Stem American Standard</p> <ul style="list-style-type: none"> • Uses Aqua Seal washer • 2 handle kitchen faucets <p>22 PT.</p> <p>1 3/4"</p> <p>Part # Description</p> <p>100239 Hot Stem</p> <p>100240 Cold Stem</p> <p>100109 AquaSeal Washer only</p>	 <p>Water Saver Cartridge</p> <ul style="list-style-type: none"> • Replacement cartridge for WaterSaver Faucets <p>Part # Description</p> <p>100175 Hot WaterSaver Stem</p> <p>100230 Cold WaterSaver Stem</p>	 <p>Symmons KN 4</p> <ul style="list-style-type: none"> • Symmons cartridge for single handle faucets <p>Part # Description</p> <p>100555 Symmons Cartridge</p>

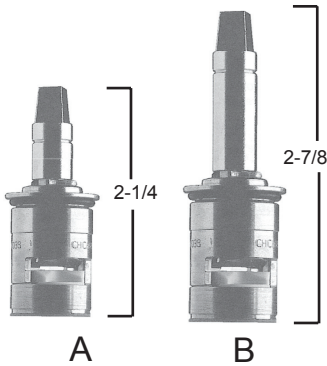
Chicago Cartridges



Quatern Operating Cartridges

Quatern Operating Cartridges open and close with a quarter turn. Cartridge A is for exposed bonnet nut faucets. Cartridge B is for concealed bonnet nut faucets. Cartridges can be identified by the number of grooves at the bottom of the sleeve. (2 grooves = left hand, 1 groove = right hand)

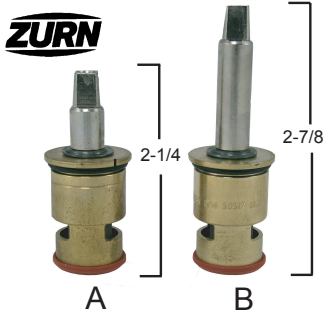
Item	Part #	Description
A	102180	Left Hand Short Operating Cartridge (Hot) 2 Grooves in Sleeve
A	102181	Right Hand Short Operating Cartridge (Cold) with Groove in Sleeve
B	102182	Left Hand Long Operating Cartridge (Hot) 2 Grooves in Sleeve
B	102183	Right Hand Long Operating Cartridge (Cold) 1 Groove in Sleeve



Ceramic Quatern Operating Cartridges

Quatern Operating Cartridges open and close with a quarter turn. They are direct placement for standard cartridges. The ceramic disc offers an extended lifespan of the cartridge. Cartridge A is for exposed bonnet nut faucets. Cartridge B is for concealed bonnet nut faucets. Cartridges can be identified if there is a groove on the stem. The groove is on the right hand (cold) cartridge.

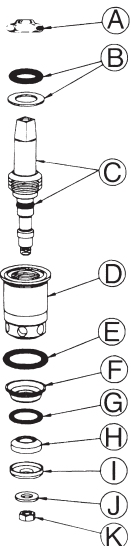
Item	Part #	Description
A	102184	Left Hand Short Ceramic Cartridge (Hot)
A	102185	Right Hand Short Ceramic Cartridge (Cold) w/ groove in stem
B	102186	Left Hand Long Ceramic Cartridge (Hot)
B	102187	Right Hand Long Ceramic Cartridge (Cold) with groove in stem



Ceramic Quatern Operating Cartridges

Quatern Operating Cartridges open and close with a quarter turn. They are a direct replacement for standard Chicago cartridges. The ceramic disc offers an extended lifespan of the cartridge. Cartridge A is for exposed bonnet nut faucets. Cartridge B is for concealed bonnet nut faucets. Cartridges can be identified if there is a groove on the Barrel. The groove is on Cold Cartridges.

Item	Part #	Description
A	102188	Left Hand Short Ceramic Cartridge (Hot)
A	102189	Right Hand Short Ceramic Cartridge (Cold) with groove on Barrel
B	102190	Left Hand Long Ceramic Cartridge (Hot)
B	102191	Right Hand Long Ceramic Cartridge (Cold) with groove on Barrel



Quatern Repair Parts

Genuine Chicago parts may be ordered as individual parts below or in kits to the right.

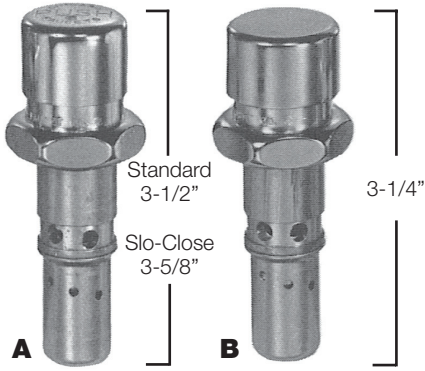
Item	Description	Individual Parts			
		Short 10280 LH	Short 102181 RH	Long 102182 LH	Long 102183 RH
A	Cap	106859	106859	114536	114536
B	Packing	102194	102194	102194	102194
C	Stem w/ o-ring	114297	224296	224541	114542
D	Sleeve	114317	114316	114317	114316
E	O-Ring	102201	102201	102201	102201
F	Seat	102202	102202	102202	102202
G	O-Ring	102203	102203	102203	102203
H	Seat Washer	102204	102204	102204	102204
I	Retainer	113470	113470	113470	113470
J	Washer	113475	113475	113475	113475
K	Nut	113761	113761	113761	113761

Jiffy Kit #102208	One Minute Kit #102209	Junior Kit #114083
----------------------	---------------------------	-----------------------

Repair Parts Kits

Description	Part #
Complete Left Hand Cartridge	102180
Complete Right Hand Cartridge	102181
Complete Right Hand Cartridge	102181
Complete Long Left Hand Cartridge	102182
Complete Long Right Hand Cartridge	102183
Left Hand Stem	114296
Right Hand Stem	114297
Left Hand Long Stem	114541
Right Hand Long Stem	114542
Left Hand Sleeves	114316
Right Hand Sleeves	114317
Seats	102202
Seat Washers	102204
Brass Washers	113535
Washer Retainers	113470
Conical Packings	102194
O-Rings	114293
O-Rings	102203
Chrome Plated Caps	106859
Chrome Plated Handle Screws	102350
Stem Nuts	113761
Stem Nut Washer	113475
Cap Thread Gasket	102201
Gasket	113477
O-Rings	114307

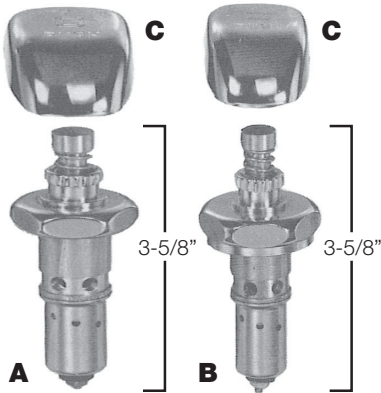
Chicago Cartridges



NAIAD Push Cartridges

Push NAIAD Cartridges are designed to close upon release of the push button. The slow-closing version slowly closes after the handle is released. The slow-closing version has an adjustable nut on the bottom of the cartridge to adjust run time.

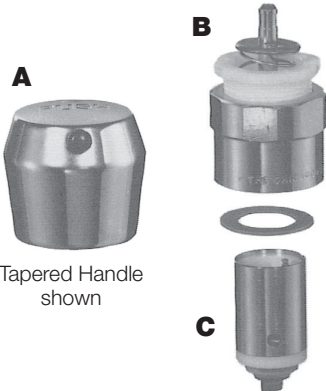
Item	Part #	Description
A	102216	Push Cartridge Indexed "PUSH"
A	102217	Slow-closing Push Cartridge indexed "PUSH"
A	Disc.	Slow-closing Push Cartridge indexed "HOT"
A	Disc.	Slow-closing Push Cartridge indexed "Cold"
B	102220	Push Cartridge for use in Pedal Valves



Tip-Tap Slow Closing Cartridges

Push NAIAD Cartridges are designed to close upon release of the push button. The slow-closing version slowly closes after the handle is released. The slow-closing version has an adjustable nut on the bottom of the cartridge to adjust run time.

Item	Part #	Description
A	102221	Adjustable Tip-Tap Cartridge (standard)
B	102222	Adjustable Tip-Tap Cartridge for concealed cap faucets
C	102223	Handle, Oscillating indexed "HOT"
C	102224	Handle, Oscillating indexed "COLD"
C	102225	Handle, Oscillating indexed "PUSH"

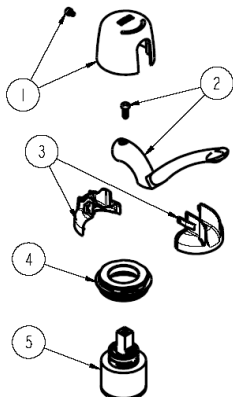


MVP Metering Cartridges

Item	Part #	Description
A	102228	Handle, Tapered Hot or Cold
B	102230	Actuator Upper Unit
C	102231	Lower Unit
A, B & C	102340	Complete Retro Kit Hot
A, B & C	102341	Complete Retro Kit Cold

Zurn Replacement Parts

A	102232	Handle, Tapered (Hot & Cold Index included)
B	102233	Actuator Upper Unit
C	102234	Lower Unit



Single Handle Cartridge

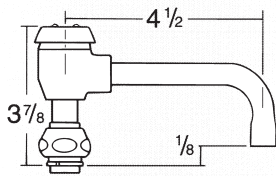
This redesigned handle and cartridge are more reliable and less prone to vandalism. Ceramic disc design closes softly so it doesn't hammer the plumbing system.

Item	Part #	Description
1-5	102235	Complete Kit (new style) includes all parts shown
1	114935	Cap & Screw Assembly
2	114936	Lever Handle Assembly
3	102238	Cartridge Spin Cap Assembly
4	114934	Nut, Hold down
5	107128	Single Lever Cartridge

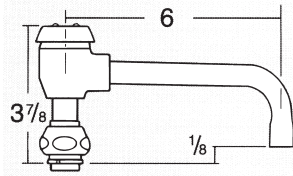
Chicago Spouts

Vacuum Breaker Spouts

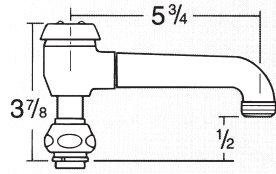
These spouts are furnished with 3/8" NPSM female outlet for Group "B" spout ends. See page 12 for outlets (aerators) which are not included with spouts.



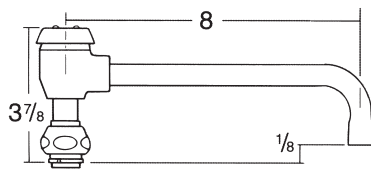
Part # Description
114259 Rigid/Swing, VB Spout



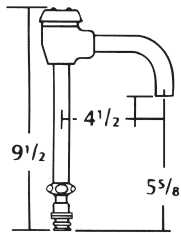
Part # Description
115068 Rigid/Swing, VB Spout



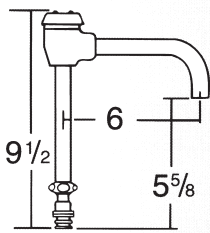
Part # Description
102243 Rigid/Swing, Cast Spout
3/4" Hose Thread



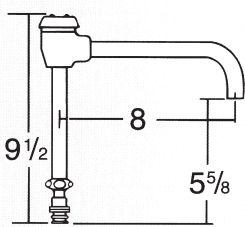
Part # Description
102244 Rigid/Swing VB Spout



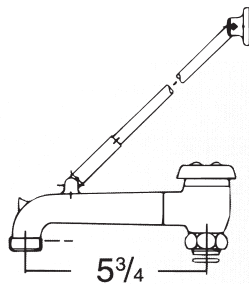
Part # Description
115018 Rigid/Swing VB Spout



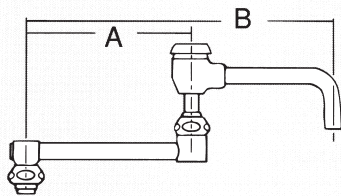
Part # Description
115737 Rigid/Swing VB Spout



Part # Description
115743 Rigid/Swing VB Spout



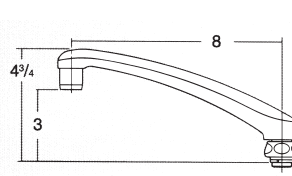
Part # Description
102248 Hose Thread w/ Pail
Hook & Wall Brace



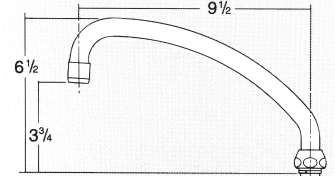
Part #	A	B	Description
114975	7	13	Double Jointed VB Spout Rigid/Swing
114979	11-3/4	17-3/4	Double Jointed VB Spout Rigid/Swing

Swing Spouts

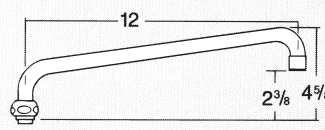
These spouts are interchangeable with any body regularly furnished with any of these spouts. Spouts are furnished with Aerator unless otherwise noted.



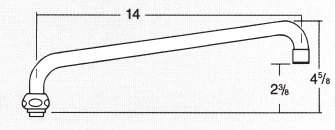
Part # Description
102251 Cast Swing Spout



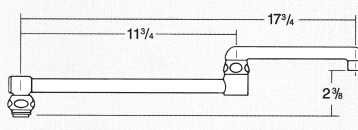
Part # Description
102252 Swing Spout



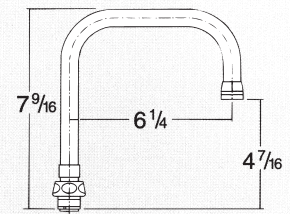
Part # Description
102253 Swing Spout



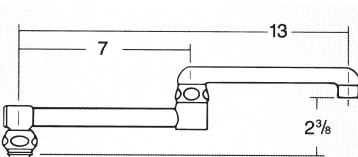
Part # Description
115750 Swing Spout



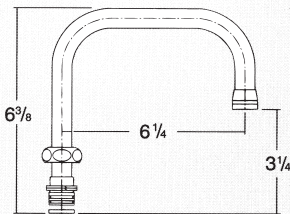
Part # Description
115726 Double Jointed Swing Spout



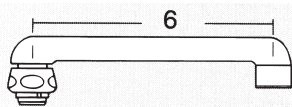
Part # Description
102256 Swing Spout
No Aerator



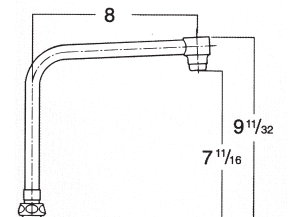
Part # Description
115725 Double Jointed Swing Spout



Part # Description
114974 Swing Spout
No Aerator



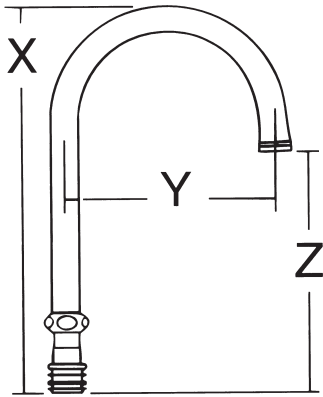
Part # Description
102259 Swing Spout



Part # Description
102260 Swing Spout

Chicago Spout Parts

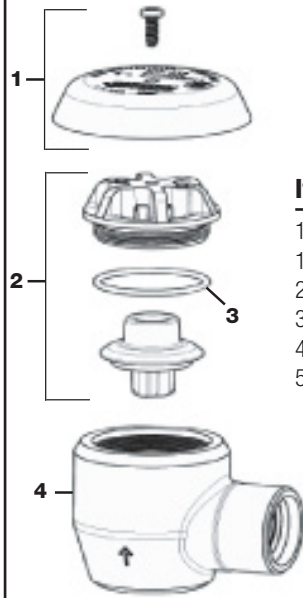
Gooseneck Spouts



Gooseneck spouts are made of 11/16" OD Chrome Plated Brass Tubing. They can be used as a swing spout or a rigid spout. Outlet "A" spouts are 13/16"-24 male threads. Aerator included. Outlet "B" spouts are 13/16" fine thread female and aerators are not included.

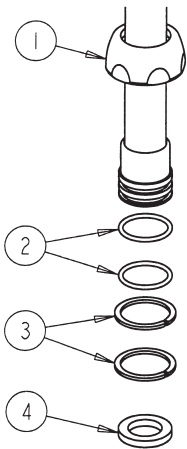
Part #	X	Y	Z	Description	Outlet
102261	8-1/4"	3-1/2"	5-7/8"	Gooseneck Spout	A
102262	8-1/4"	3-1/2"	5-3/8"	Gooseneck Spout	B
102263	9-3/4"	5-3/8"	6-1/8"	Gooseneck Spout	A
102264	9-3/4"	5-3/8"	5-5/8"	Gooseneck Spout	B
102265	11-1/4"	8"	6-1/8"	Gooseneck Spout	A
114237	11-1/4"	8"	5-5/8"	Gooseneck Spout	B

Vacuum Breaker Repair Parts

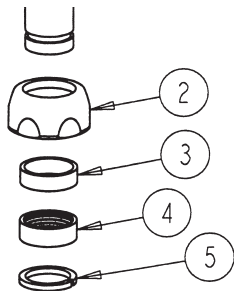


Item	Part #	Description
1,3,4,5	102274	Complete Repair Kit
1	102275	Torx Screw
2	102276	Cover
3	-----	Seat
4	102278	Blue Disc Assembly
5	106711	O-Ring

Swing Spout Repair Parts



Item	Part #	Description
1	102267	Spout Nut
2	102268	O-Ring
3	102269	Split Washer (plastic)
4	102270	Celcon Washer (locks spout as rigid spout)



Item	Part #	Description
2	102267	Spout Nut
3	102271	Spout Gland (brass)
4	102272	Spout Packing (rubber)
5	102273	Spout Ring

Vacuum Breaker

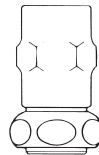


In Spout Vacuum Breaker for Chicago Faucets. Available in 1/2" or 3/8" female inlet and outlet. Chrome plated brass.

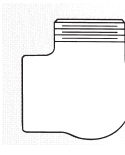
Part #	Description
102280	Complete Vacuum Breaker 1/2"
Disc.	Complete Vacuum Breaker 3/8"

Spout Adapters

Spout Adapters allow for piping to be used between faucet body and spout. For all spouts except rigid.



Faucet outlet body adapter. 1/2" NPT female outlet. Union Connection inlet.



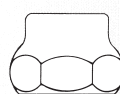
90° angle spout inlet adapter. 1/2" NPT female inlet.

Part # Description

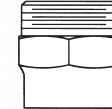
115723 Spout Adapter

Part # Description

114267 Spout Adapter 90°



Faucet outlet adapter. 3/8" NPT female outlet.



Straight spout inlet adapter. 1/2" NPT female inlet.

Part # Description

102283 Spout Adapter 3/8"

115724 Spout Adapter 1/2"

Part # Description

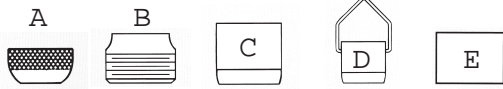
114268 Spout Adapter 3/8"

114266 Spout Adapter 1/2"

Chicago Parts

Group "A" Aerators & Adapters

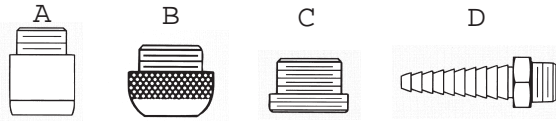
For Chicago Faucets. The aerator has 13/16"-24 female threads.



Item	Part #	Description
A	102300	Single Screen Aerator
B	102301	3/4" Hose Thread Outlet
C	102302	Standard 2.0GPM Aerator
	106786	Generic 2.0GPM Aerator
D	102303	Vandal Resistant 2.0GPM Aerator
E	107345	Adapter, Group "A" (13/16"-24 female inlet) spout to Group "B" (3/8" female outlet)

Group "B" Aerators & Adapters

For Chicago Faucets. The aerator has 3/8" IPS male threads.



Item	Part #	Description
A	107346	2.0gpm Aerator
B	102306	Single Screen Aerator
C	102307	Adapter, Group "B" spout to "A" aerator
D	107347	Lab Hose Nozzle 10-serration

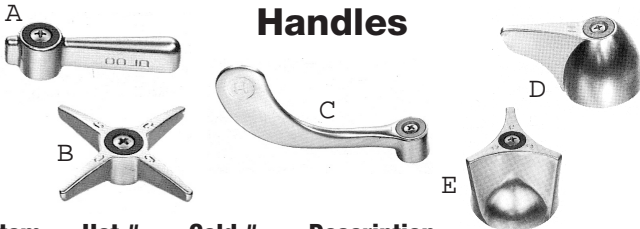
Male Aerators for Lavatory Faucets

For Chicago Faucets. The aerator has 13-16"-27 male threads.



Item	Part #	Description
A	102309	Small Male Aerator
	100041	Generic Male Aerator
B	102311	Vandal Resistant Male Aerator
	100094	Generic Vandal Resistant Male Aerator

Handles



Item	Hot #	Cold #	Description
A	102313	102314	2.5" Lever Handle
B	114687	115809	3" Diameter 4-Arm Handle
C	113725	102318	4" Wrist Blade Handle
D	115814	114897	2-7/8" Diameter Single Wing Handle
E	114062	115813	2.5" Diameter 3-Wing Handle

Pre-Rinse Parts

Self-closing valve with hold down ring. 3/4"-14 male inlet.

Part #	Description
102288	Pre-Rinse Spray Valve

Kettle filler valve with hold down ring. 3/4"-14 male inlet.

Part #	Description
107348	Kettle Filler Valve

Flexible stainless steel hose. 3/8" IPS male inlet and 3/4"-14 female outlet. Includes adapters for T&S and Fisher spring base.

Part #	Description
102291	44" Pre-Rinse Hose
107792	58" Pre-Rinse Hose

Spring base for pre-rinse.

Part #	Description
107349	Spring Base

Contoured pre-rinse spring.

Part #	Description
102298	Pre-Rinse Spring

Add-on faucet can be added to pre-rinse. 3/8" IPS top outlet. 9-1/2" swing spout.

Part #	Description
107343	Add-on Faucet

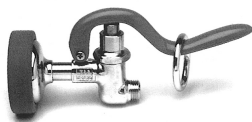
T&S Brass Parts



Pre-Rinse Spray with 36" Stainless Steel Hose. 1/2" IPS male inlet. 48" overall length.

Part # Description

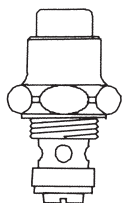
101182 Complete Spray Unit



Pre-Rinse Spray Valve. Auto shut-off. Connects to T&S hose.

Part # Description

101183 Pre-Rinse Spray Valve



Bonnet Assembly and repair kit for spray valve (above)

Part # Description

101185 Bonnet Assembly (shown)

101184 Repair Kit, includes 2 each washer, rings, springs, packings



Flexible Stainless Steel Hose. The length includes 8" handle.

Part # Description

101186 SS Hose 36"

101187 SS Hose 44"

101188 SS Hose 56"

101189 SS Hose 72"

ADAPTERS

Adapters (not shown) to attach T&S Hose to other manufacturers spring base.

Part # Description

101190 Chicago Adapter(3/8" IPS male)

101191 Fisher Adapter (1/4" IPS male)

101192 Adapter to connect two hoses.



Pot Filler with hook nozzle. Includes 5' stainless steel hose.

Part # Description

107353 Pot Filler with Hose



Add-on Faucet for Pre-Rinse units. Adds swinging nozzle to pre-rinse units. 6" nozzle. Easily installs between faucet and riser.

Part # Description

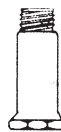
101194 Add-on Faucet



Pre-Rinse Contoured Spring for all T&S pre-rinse.

Part # Description

101195 Pre-Rinse Spring



Pre-Rinse Spring Base. Base screws onto riser and hose threads onto base.

Part # Description

101196 Spring Base



3/8" Chrome Plated Risers. 3/8" NPT male both ends.

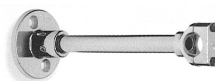
Part # Description

107354 18" Riser

101198 24" Riser

107355 32" Riser

102283 Adapter, Chicago faucet body to 3/8" NPT



Wall Bracket fits 3/8" riser. Chrome plated finish.

Part # Description

107356 Wall Bracket 6"

101202 Wall Bracket 9"

107357 Wall Bracket 18"



Hook for spray valve. Attaches to riser and holds the spray valve out of the way.

Part # Description

101204 Hook with screw



Atmospheric Vacuum Breaker Polished chrome plated.

Part # Description

101205 Vacuum Breaker 1/2"

101206 Vacuum Breaker Repair Kit 1/2"

101207 Vacuum Breaker 3/8"

101208 Vacuum Breaker Repair Kit 3/8"



Eterna Cartridge Assembly with back checks to prevent cross-flow in pre-rinse. Includes handle.

Part # Description

101209 Cartridge "Hot"

101210 Cartridge "Cold"

Water Coolers

Wall Hung Water Cooler



No lead design water system free of lead containing brass parts. Uses HFC-134a refrigerant, barrier-free ADA design, designed to meet adult or child accessibility standards when properly installed. Extra Deep basin, minimizes splashing and its one-piece construction, with integrated drain, is vandal-resistant and easy to maintain. Front and side easy-touch controls-minimal pressure is required for easy operating and increased durability. Flexi-guard safety bubbler, newly styled bubbler complements styling or cooler and is keyed into position to prevent rotation. Universal design makes for easy installation to existing plumbing systems. Colors, light gray granite is standard. Stainless steel available at additional cost.

Part #	Description
102357	ADA Wall Hung Water Cooler
102358	Two Level Cooler

ELKAY

Wall Hung Backsplash Water Cooler



No lead design water system free of lead containing brass parts. Uses HFC-134a refrigerant. One piece backsplash and basin, polished to a satin finish. Flexi-guard safety bubbler. Non-pressurized cooling tank. Mounting hangers furnished. ADA compliant when properly installed. Colors, light gray granite is standard unless color option is specified. Stainless steel available at additional cost.

Part #	Description
102360	Backsplash Water Cooler

ELKAY

Floor Mount Water Cooler



No lead design water system free of lead containing brass parts. Uses HFC-134a refrigerant. Space-Ette basin has integral vandal-resistant strainer. Flexi-Guard safety bubbler. Non-pressurized cooling tank. Removable front panel. Colors, Sandalwood is standard. Stainless Steel available at additional cost.

Part #	Description
102361	3 Gallon Per Hour Water Cooler
102362	5 Gallon Per Hour Water Cooler
102363	10 Gallon Per Hour Water Cooler

ELKAY

Wall Mounted Water Cooler



No lead design water system free of lead containing brass parts. Uses HFC-134a refrigerant. Cascade basin. Flexi-guard safety bubbler. Non-pressurized cooling tank. Removable front panel complete with mounting hangers. Colors, light gray granite is standard unless color option specified.

Part #	Description
102364	4 Gallon Per Hour Water Cooler
102365	8 Gallon Per Hour Water Cooler

ELKAY

Drinking Fountain Parts

Elkay Bubbler

Replacement flexiguard kit includes bubbler, nut, and 1/4" copper tubing

Part #	Description
102494	FlexiGuard Bubbler



Halsey Taylor Chrome Plated Brass Bubbler

Solid brass bubbler head is chrome plated and has a female inlet

Part #	Description
102521	Chrome Bubbler



Cartridge / Regulator Stainless Steel

This cartridge / regulator will fit most brands of water coolers and drinking fountains

Part #	Description
101065	Cartridge / Regulator



Universal Glass Filler Kit

This kit can be added to most drinking fountains it includes everything necessary for installation

Part #	Description
102635	Glass Filler Kit



Cartridge / Regulator Housing

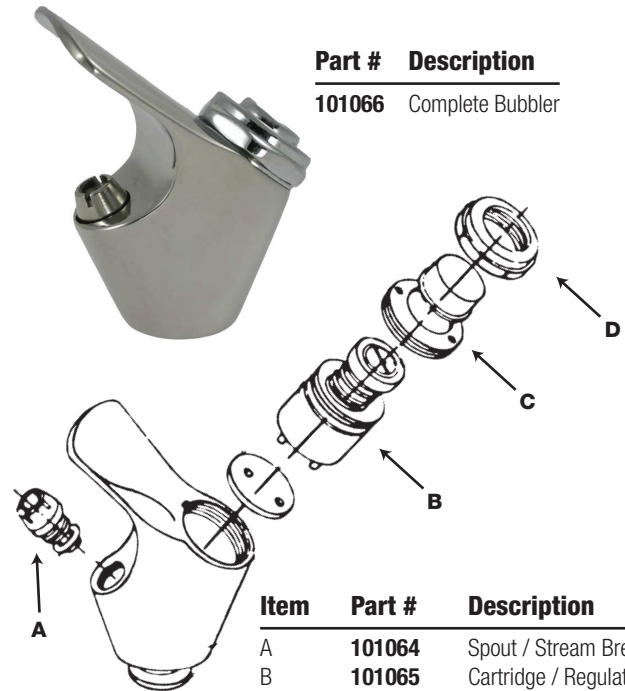
Common part in both Elkay and Halsey Taylor units.

Part #	Description
102493	Cartridge / Regulator Housing



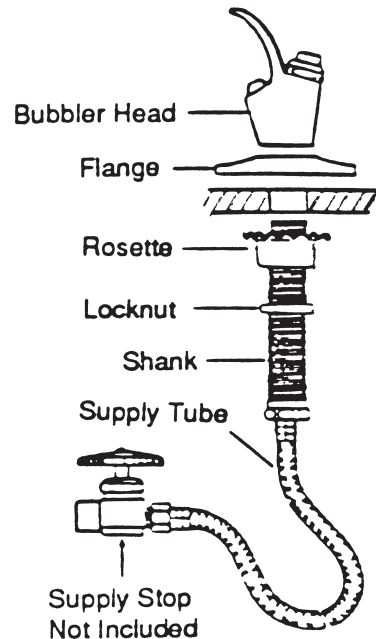
Stainless Steel Bubbler & Parts

Part #	Description
101066	Complete Bubbler



Item	Part #	Description
A	101064	Spout / Stream Breaker
B	101065	Cartridge / Regulator
C	102614	Cartridge Ret. Nut
D	102616	Chrome Bonnet Nut

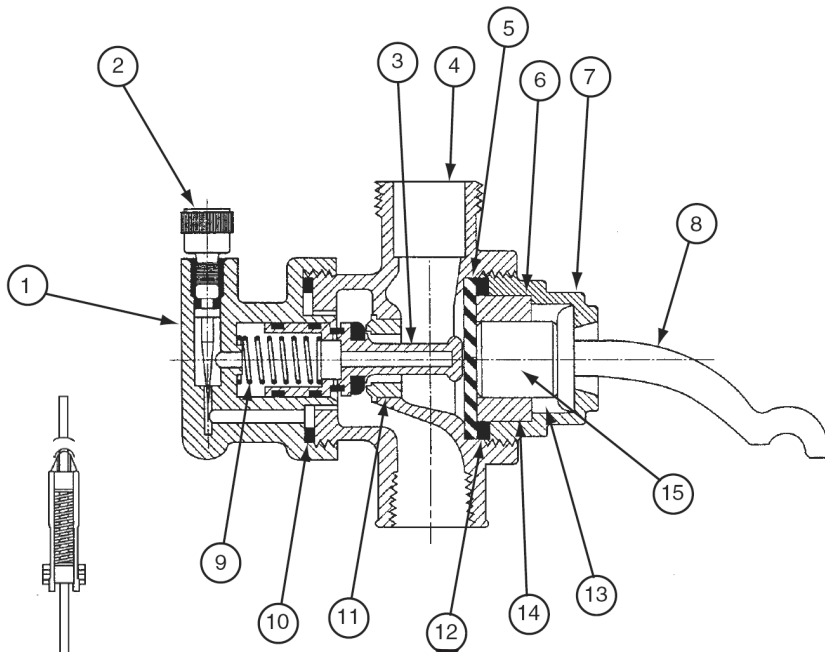
Drinking Fountain Conversion Kit



Part #	Description
106095	Drinking Fountain Conversion Kit

Bradley Washfountain

Bradley Foot Valve prior to January 2003



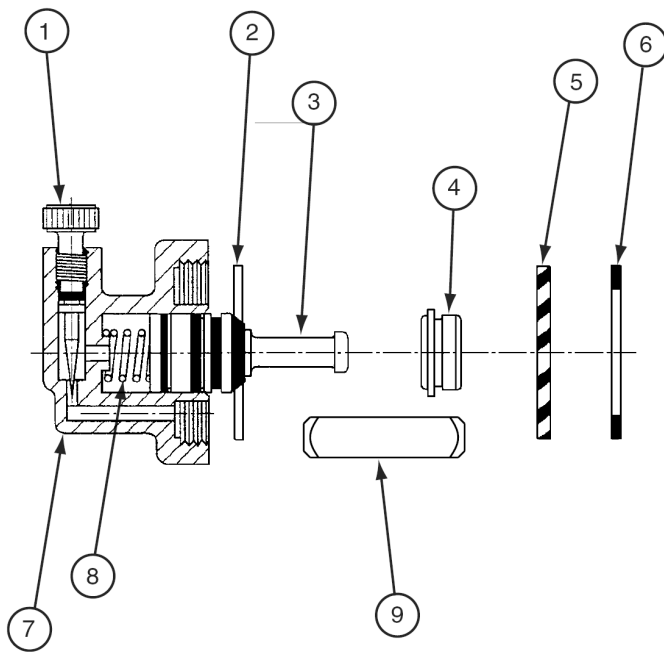
Item	Part #	Description
1	107079	Body-Needle Valve
2	119859	Needle Assembly
3	120690	Valve Plunger Assembly
4	-----	Valve Body (No longer available)
5	100589	Diaphragm
6	100590	Plunger Guide
7	100591	Bottom Nut
8	100592	Operating Lever
9	116832	Spring
10	116597	Gasket
11	116360	Renewable Valve Seat
12	100596	Washer, Black Phenolic
13	100597	Operating Plunger Guide

Part # Description

100608	Spring Linkage
100609	Spring Linkage Juvenile Height

* Foot valve no longer available, order complete valve #100600

Bradley Foot Valve Repair Kit (for valve shown above)



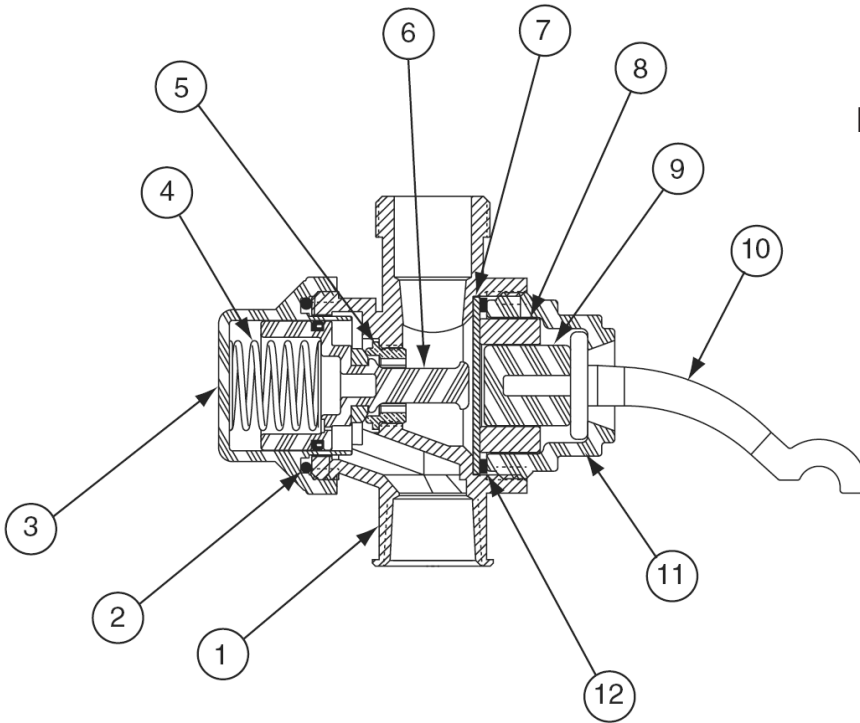
Complete Kit Part #100588

Kit includes everything shown below.

Item	Part #	Description
1	119859	Needle Assembly
2	116597	Gasket
3	120690	Valve Plunger Assembly
4	116360	Renewable Valve Seat
5	100589	Diaphragm
6	100596	Washer, Black Phenolic
7	107079	Body-Needle Valve
8	116832	Spring
9	116784	Key (valve seat)

Bradley Washfountain

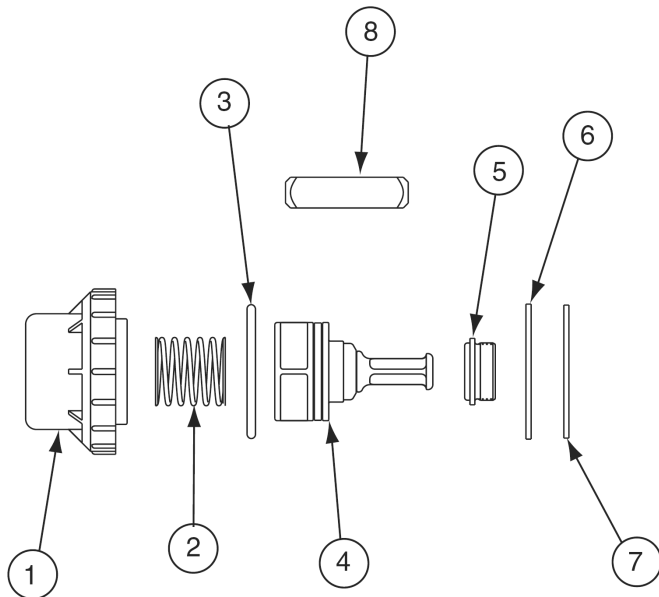
Bradley Foot Valve January 2003 to Present



Bradley Foot Valve part #100600

Item	Part #	Description
1	116446	Foot Valve Body
2	116688	O-Ring
3	116445	Foot Valve Cover (Blue)
4	116862	Spring
5	116360	Renewable Valve Seat
6	120702	Plunger Assembly
7	100589	Diaphragm
8	100590	Plunger Guide
9	100597	Plunger
10	100592	Operating Lever
11	100591	Bottom Nut
12	100596	Washer, Black Phenolic

Bradley Foot Valve Repair Kit (for valve shown above)



Complete Kit Part #100606

Kit includes everything shown below.

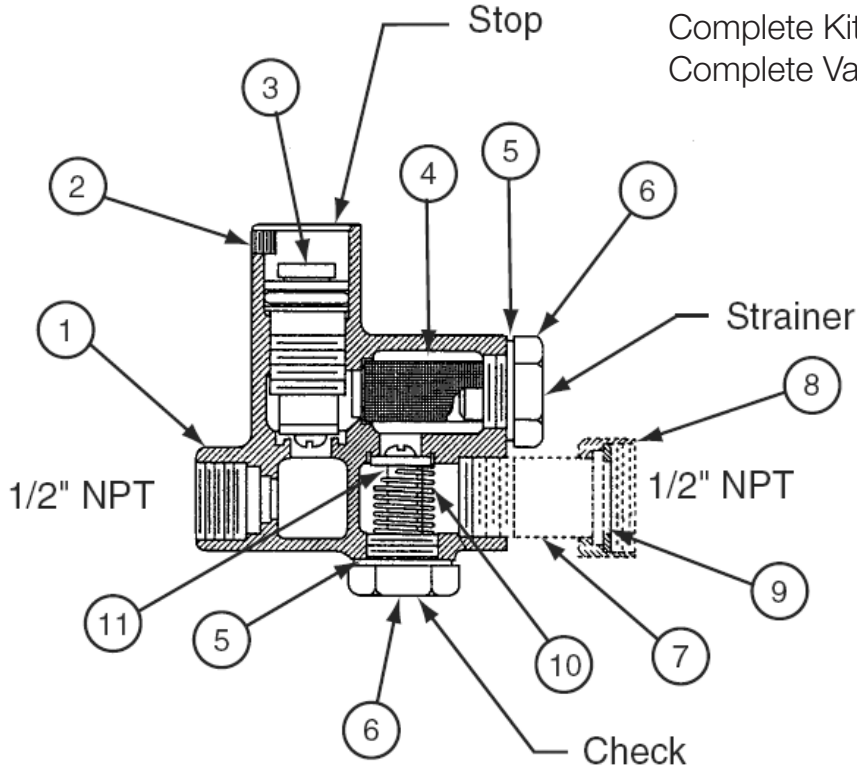
Item	Part #	Description
1	116445	Foot Valve Cover (Blue)
2	116862	Spring
3	116688	O-Ring
4	120702	Plunger Assembly
5	116360	Valve Seat
6	100589	Diaphragm
7	100596	Washer, Black Phenolic
8	116784	Key-Valve Seat
9	120145	Lubricant (not shown)

Bradley Washfountain

Bradley Stop, Strainer and Check Valve

Complete Kit Part #**100621**

Complete Valve with tailpieces Part #**100622**



Item	Part #	Description
1	116387	Valve Body –Brass
2	117511	Set Screw
3	-----	Stop Assembly (see below)
4*	117429	Strainer
5*	106722	Fiber Washer
6*	117297	Plug –Brass
7	106923	Tail Piece –Brass
8	100616	Tail Piece Nut –Brass
9*	100617	Tail Piece Washer
10*	116826	Spring
11*	100619	Check Assembly

*Kit #**100620** includes these parts.

Stop Assembly



Part #	Description
100623	Stop Assembly (Celcon Plastic)
119858	Stop Assembly (Brass)

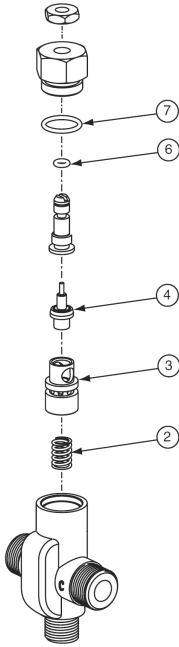
Check Assembly



Part #	Description
100619	Check Assembly

Bradley Washfountain

Bradley Thermostatic Mixing Valve, August 2004 to Present



Complete Kit Part **#119301**

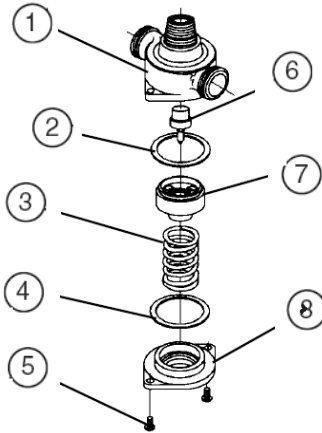
Complete Valve with tailpieces Part **#107329**

Item	Part #	Description
2	116863	Spring
3**	-----	Piston (no longer available)
4*	120094	Thermostat
6*	116598	O-Ring
7*	116690	O-Ring

*Repair Kit **#107329** Includes These Parts

Piston no longer available order complete mixing valve **#119301

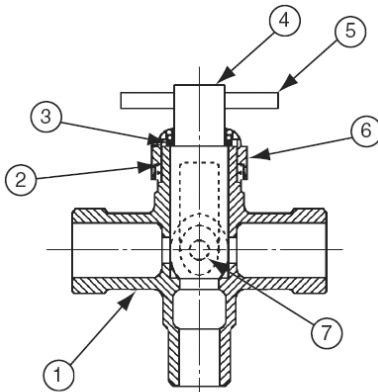
Bradley Thermostatic Mixing Valves, pre August 2004



Item	Part #	Description
1	121126	Body
2*	116632	Flip Ring
3*	116833	Spring
4*	116605	O-Ring
5	117525	Screw
6*	119931	Power Element
7	119293	Valve Slide
8	115922	Cover

*Repair Kit **#100640** includes these parts.

Bradley Manual Mixing Valves



1/2 — 14 NPT male

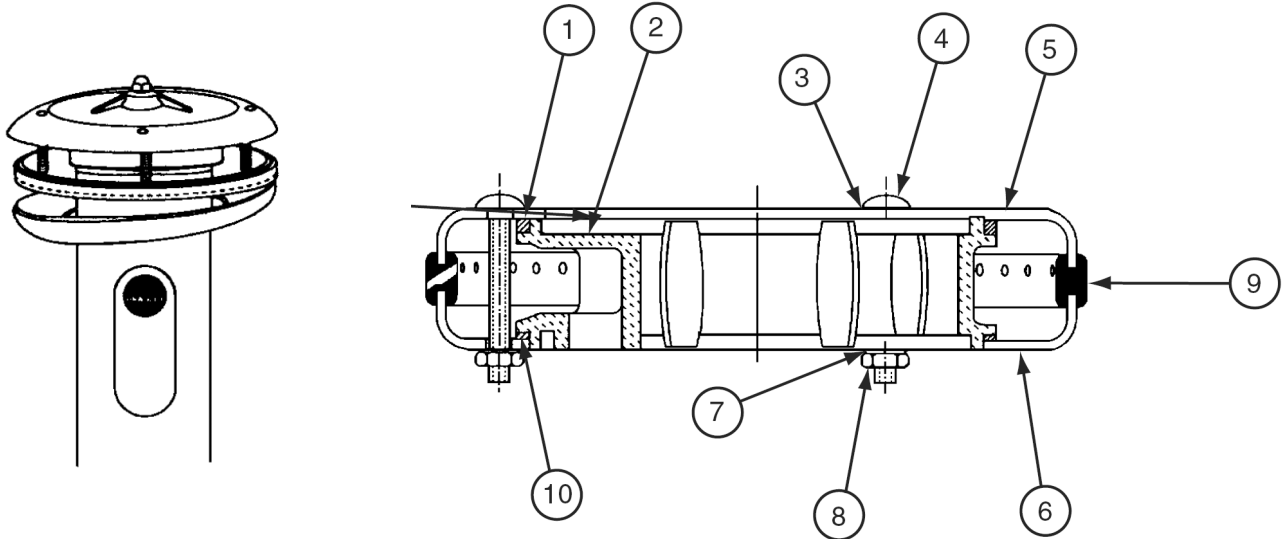
Complete Valve Part **#100650**

Item	Part #	Description
1	116383	Valve Body
2*	100667	Fiber Washer
3*	116586	O-Ring
4*	116459	Mixing Valve Core
5*	117288	Roll Pin
6*	116541	Bonnet —Brass
7	117530	Screw —Brass

*Repair Kit **#100648** includes these parts.

Bradley Washfountain

Bradley Sprayheads

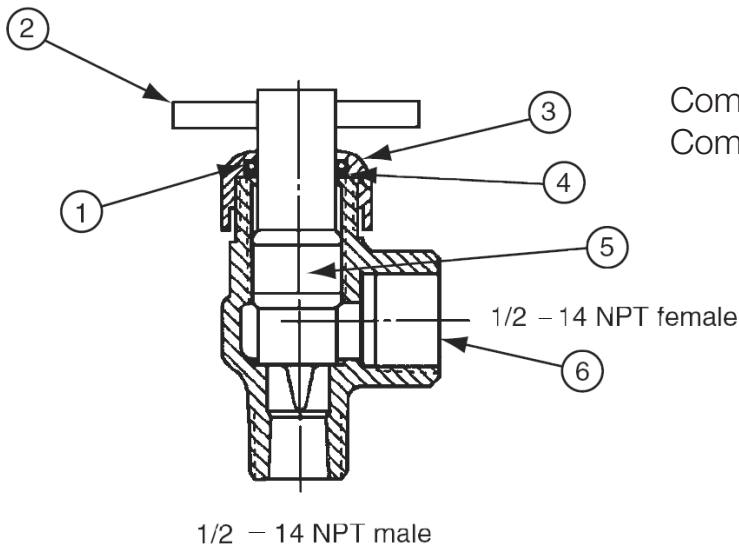


Item	Part #	Description	Includes
1	106767	Neoprene Washer – Top	1
2	106766	Sprayhead Manifold	-
3	116552	Washer	4
4	117537	Carriage Bolt	4
5	116334	Sprayhead Top	-
6	116354	Sprayhead Bottom	-
7	100657	Washer	4
8	117638	Nut	4
9	100659	Sprayhead Grommet – Circle	-
9	100660	Sprayhead Grommet –Semi-Circle	-
9	107330	Sprayhead Grommet –Corner	-
10	106768	Neoprene Washer –Bottom	1

Part #	Description
101082	Support Tube Gasket (for all except Stainless Steel)
101103	Support Tube Gasket for Stainless Steel



Bradley Volume Control Valve



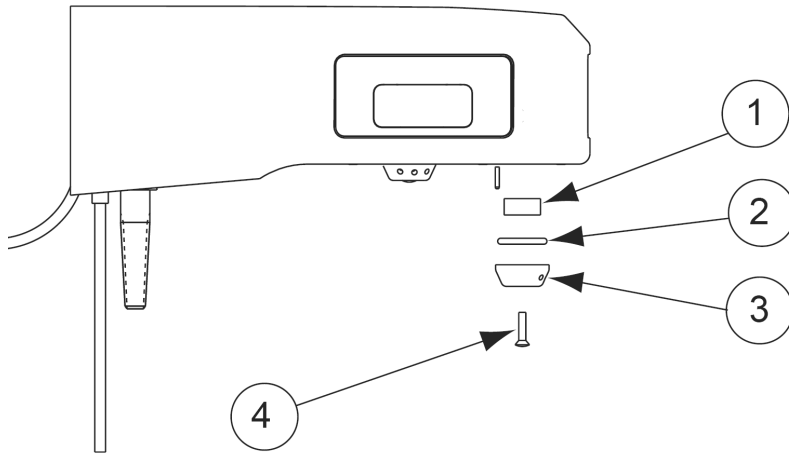
Complete Kit Part # **100670**
 Complete Valve with tailpieces Part # **100671**

Item	Part #	Description
1*	116586	O-Ring
2*	117288	Roll Pin
3*	116541	Bonnet
4*	100667	Fiber Washer
5*	116460	Valve Core
6	116382	Valve Body

*Repair Kit # **100671** includes these parts

Bradley Washfountain

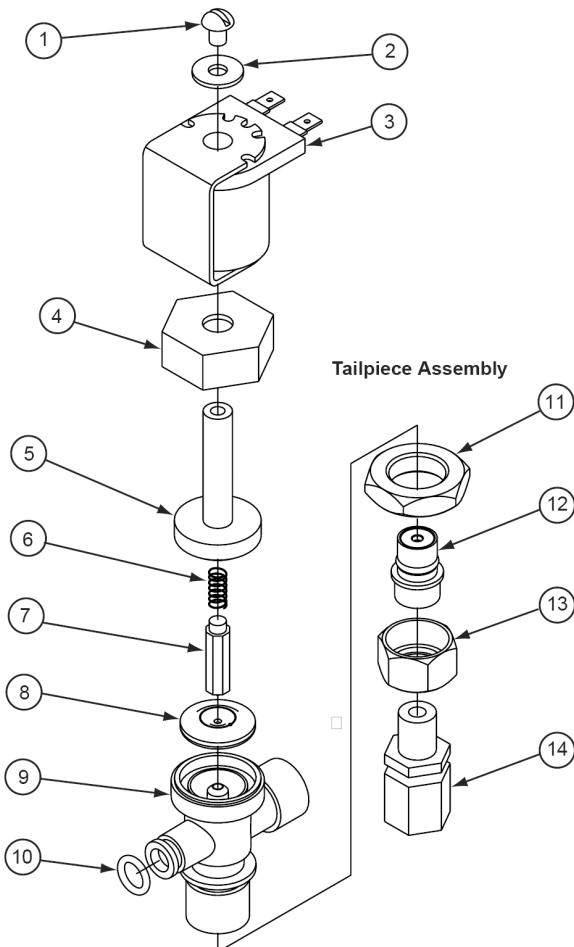
Bradley Streamformer (aerator)



Side View of Sprayhead

Item	Part #	Description
1	118985	Sprayhead Diffuser
2	116606	O-Ring
3	116343	Streamformer
4	100734	Screw, Oval Head

Bradley Solenoid Valves



Complete Kit Part **#100714***

Complete Valve with tailpieces Part **#100715***

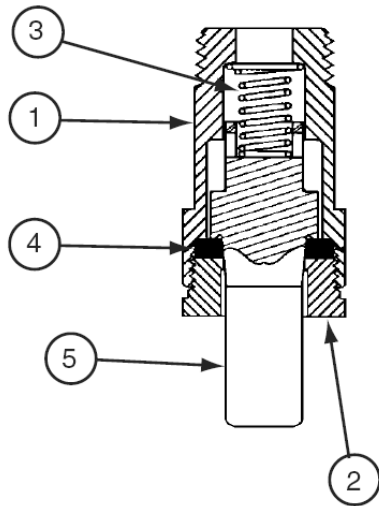
*Items 11-14 not included

The Ganged and End Valves are identical except the side by item "10" is sealed on the "end valve". That side is open and includes an o-ring to attach the next valve on the "ganged valve".

Item	Part #	Description
1	117496	Screw
2	117092	Washer -Stainless Steel
3	100718	Coil -Solenoid Valve
4	116040	Nut -Bonnet
5	116547	Bonnet
6	119024	Spring
7	119023	Armature
8	119025	Diaphragm
9	100724	Valve Body (Individual)
	100725	Valve Body (Ganged)
10	100726	O-Ring
11*	116083	Nut
12*	121276	Tailpiece Assembly
13*	116066	Tailpiece Nut
14*	116063	Connector

Bradley Washfountain

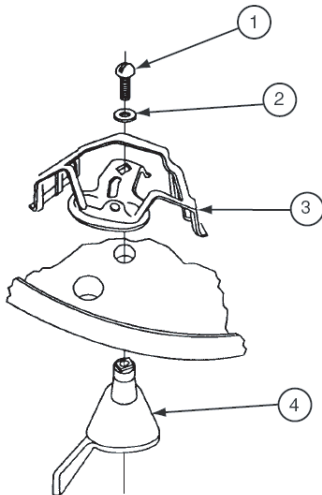
Bradley Liquid Soap Valve



Complete Valve Part #100688

Item	Part #	Description
1	116378	Valve Body
2	116028	Packing Nut
3	116831	Spring
4	116595	Washer
5	116452	Plunger

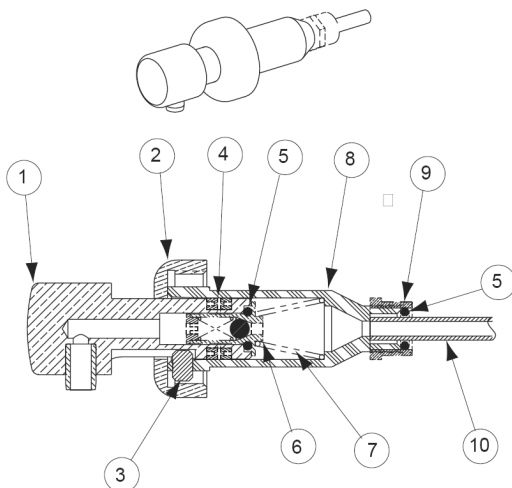
Bradley Powdered Soap Valve



Complete Valve Part #119573

Item	Part #	Description
1	117498	Screw
2	117122	Washer, Split Lock
3	106472	Agitator/Side Assy.
4	116471	Lever - Powered Soap

Bradley Soap Valve prior to June 13, 2005



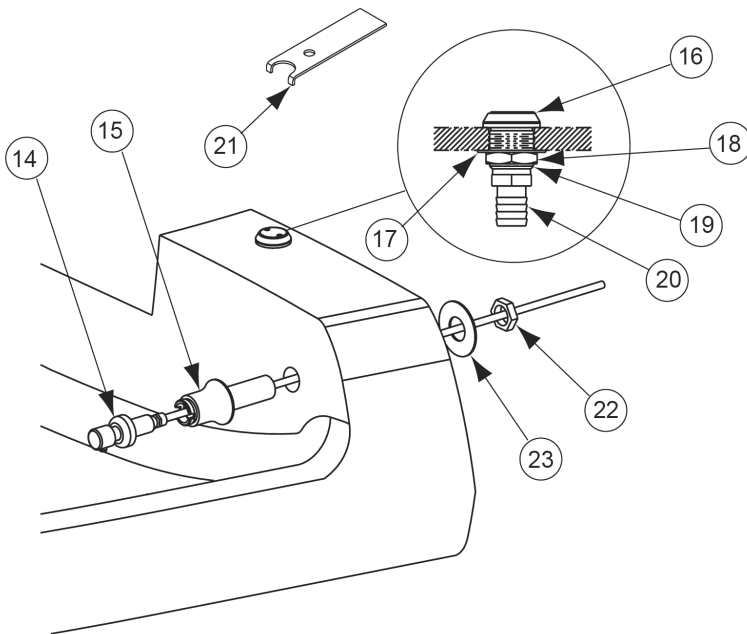
Complete Valve Part #100682

Item	Part #	Description
1	120695	Plunger Assy.
2	116084	Collar
3	117541	Set Screw
4	116646	U-Cup
5	116589	O-Ring
6	121092	Seat Assy.
7	116842	Spring
8	117165	Cylinder
9	117884	Nut
10		Tube 1/8"ID(per foot)

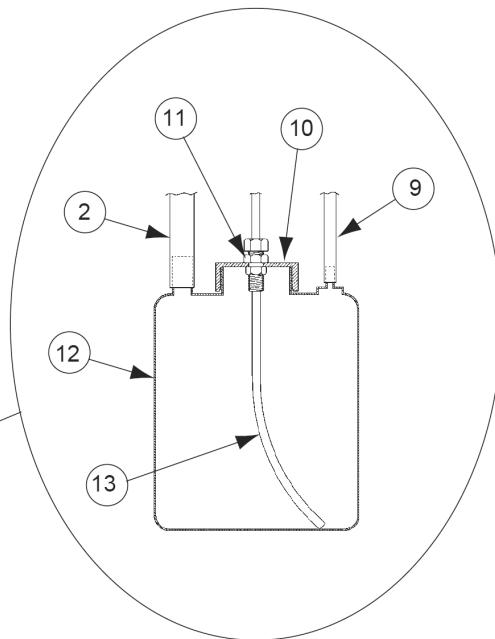
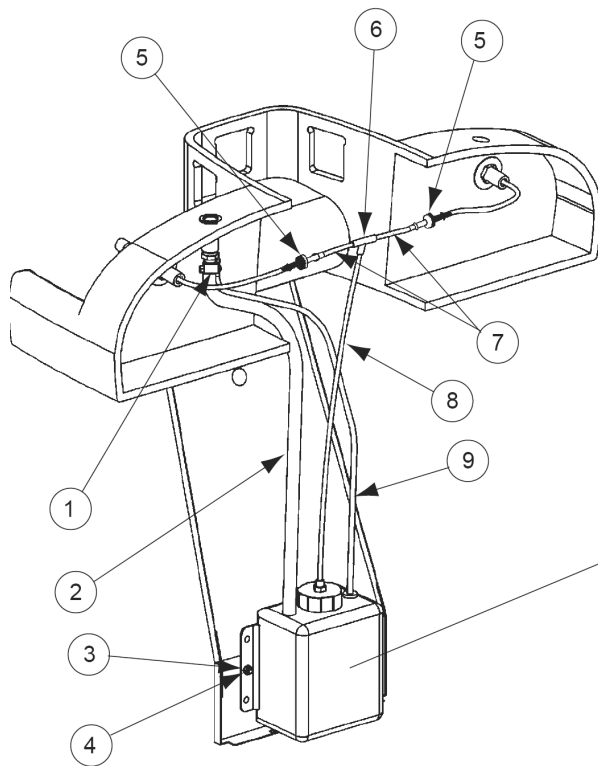
Bradley Washfountain

Bradley Soap System prior to June 13, 2005

Complete Soap System Part #119589

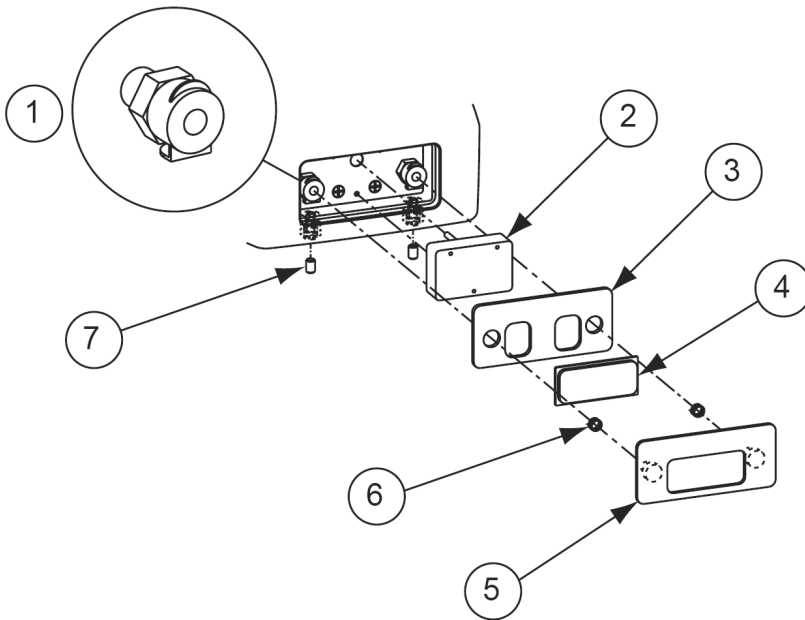


Item	Part #	Description
1	117208	Hose Clamp
2	117889	Filler Hose
3	117639	Nut
4	117090	Washer
5*	117202	Check Valve
6*	117885	Tee
7*	106098	Tube 1/8" ID (per foot)
8*	106098	Tube 1/8" ID (per foot)
9	119287	Vent Tube 48"
10	116875	Cap, Soap Tank
11	118622	Bulkhead Fitting
12	118573	Soap Tank
13	106098	Tube 1/8" ID (per foot)
14	100682	Soap Valve
15	120605	Soap Valve Body Assy.
16	116869	Filler Cap
17	117110	Washer
18	116039	Nut
19	117319	Filler Body
20	117844	Connector Male
21	116788	Wrench for Filler Cap
22	106755	Hex Nut
23	106757	Washer



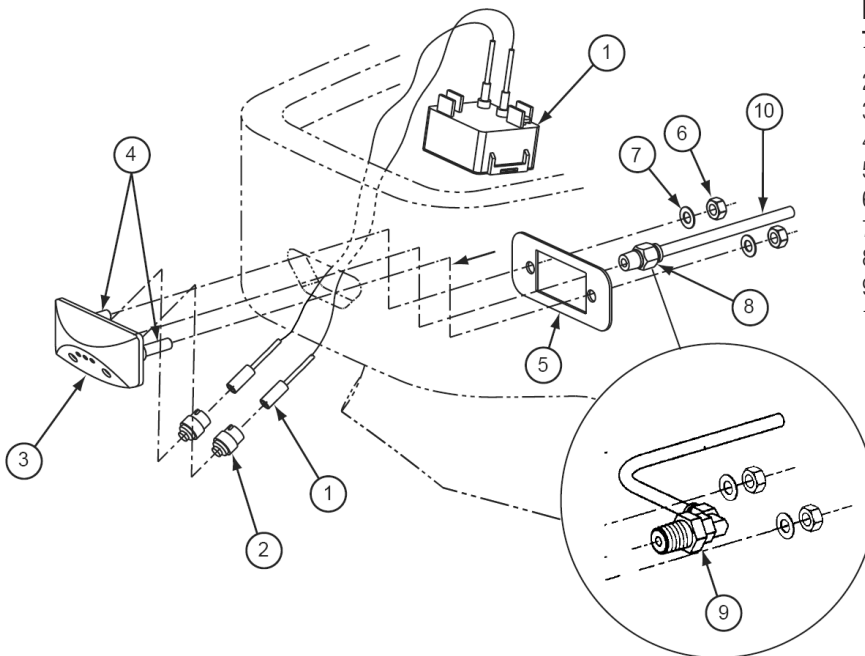
Bradley Washfountain

Bradley Sensor Unit (for terrazzo)



Item	Part #	Description
1	100735	Coupling Nut
2	100736	Sensor Repair Kit
3	100737	Gasket, Window
4	100738	Window, IR Terrazzo
5	100739	Window Plate, IR Terrazzo
6	100740	Spring, Window Plate
7	100734	Set Screw

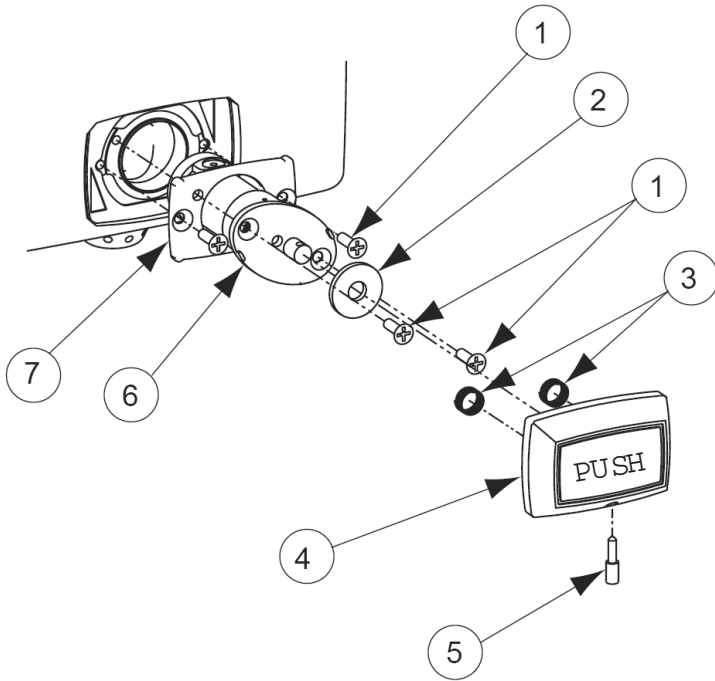
Bradley Sensor Unit (for terreon)



Item	Part #	Description
1	100742	Sensor - Adaptive
2	100743	Window
3	107331	Sprayhead
4	117934	Threaded Rod
5	117027	Backplate
6	117639	Nut
7	117102	Lockwasher
8	106419	Straight Fitting (front sprayhead)
9	121364	Swivel Fitting (side sprayheads)
10	100751	Tubing 1/4" (per foot)

Bradley Washfountain

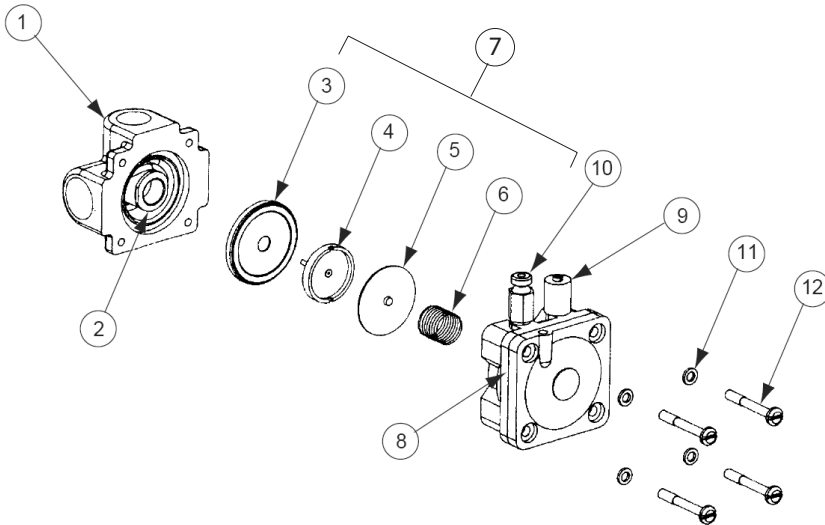
Bradley Push Metering Valve



Item	Part #	Description
1	107175	Screw, Flat Head
2	107176	Washer, Flat Foam
3*	100754	Spring, Pushbutton
4*	100755	Pushbutton
5*	100756	Set Screw SS
6	100757	Multi-Fount Cartridge
7	100758	Multi-Fount Cartridge For Harsh Water
	100759	Celcon Flange

*Items included in Handle Repair Kit Part #101077

Bradley Air Metering Valve

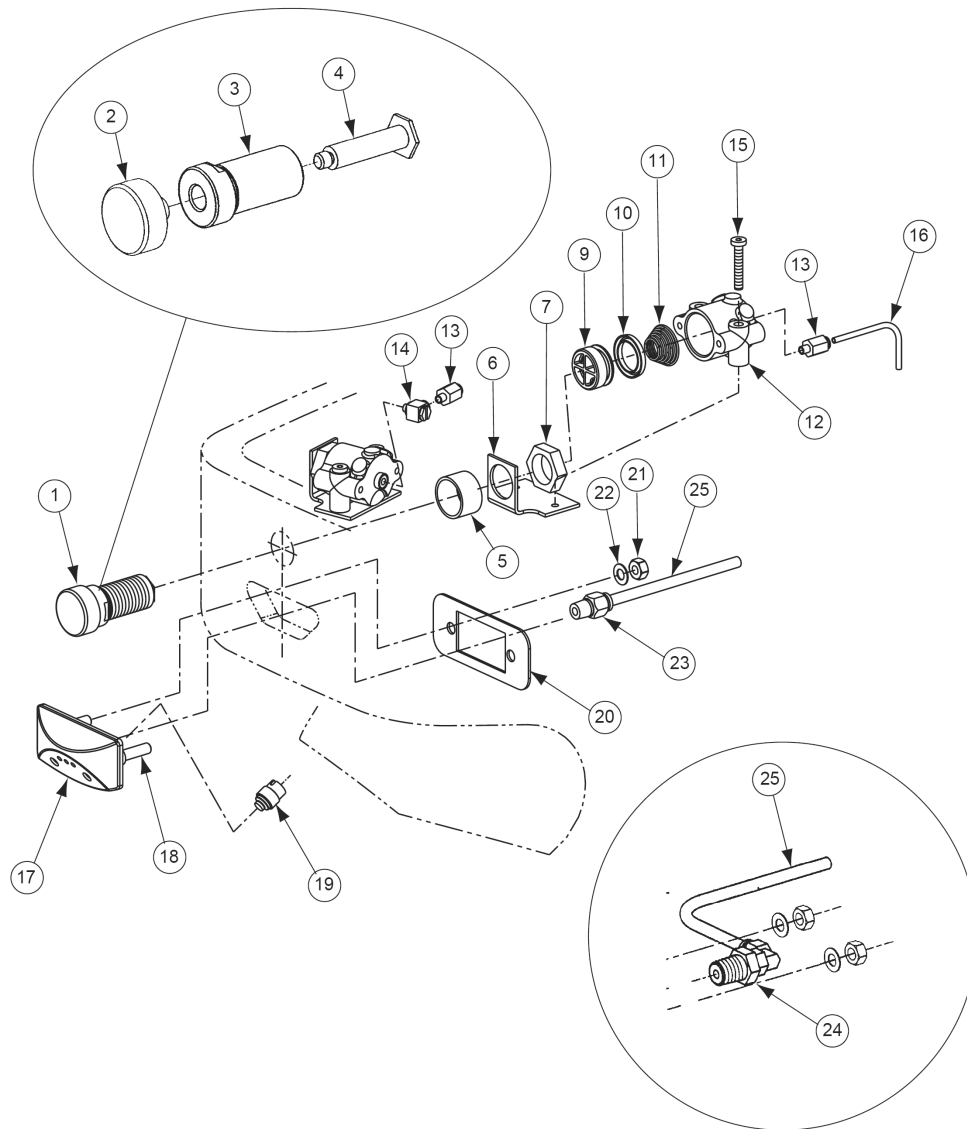


Complete Valve Part #100772

Item	Part #	Description
1	116412	Valve Body Lower
2	116367	Valve Seat
3	121448	Rubber Diaphragm
4	119061	Seat Guide
5	117963	Armature w/ Grommet
6	116850	Spring
7	106401	Small Parts Kit (items 3-6)
8	100767	Large Parts Kit (items 7-12)
9	119967	Timer Assembly
10	117842	Tube Connector 1/8" straight
11	117114	Lockwasher
12	117581	Screw

Bradley Washfountain

Bradley Air Metering Valve



Item	Part #	Description
1	101078	Pushbutton Assembly
2	116719	Pushbutton Only
3	117972	Guide For Pushbutton
4	117221	Shoulder Screw
5	116943	Spacer
6	116944	Bracket
7	106755	Nut
9*	116479	Piston
10**	-----	U-Cup (No Longer Available)
11*	116855	Spring
12*	116440	Actuator Body
13*	117842	Tube Connector 1/8" Straight

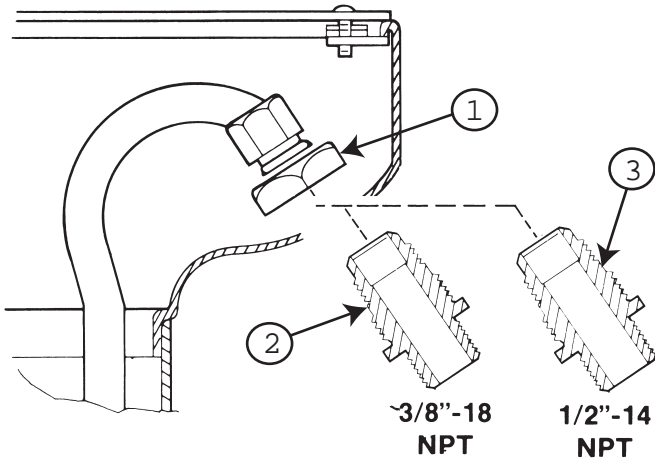
Item	Part #	Description
15	116947	Screw
16	100786	Tubing 1/8" (Per Foot)
17	107331	Sprayhead
18	117934	Threaded Rod
19	100743	Window Hole Plug
20	117027	Backplate
21	117639	Nut
22	117102	Lockwasher
23	106419	Straight Fitting (Front Sprayhead)
24	121364	Swivel Fitting (Side Sprayhead)
25	100751	Tubing 1/4" ID (Per Foot)

*Items included in actuator assembly #106945

**U-Cup no longer available order actuator assembly #106945

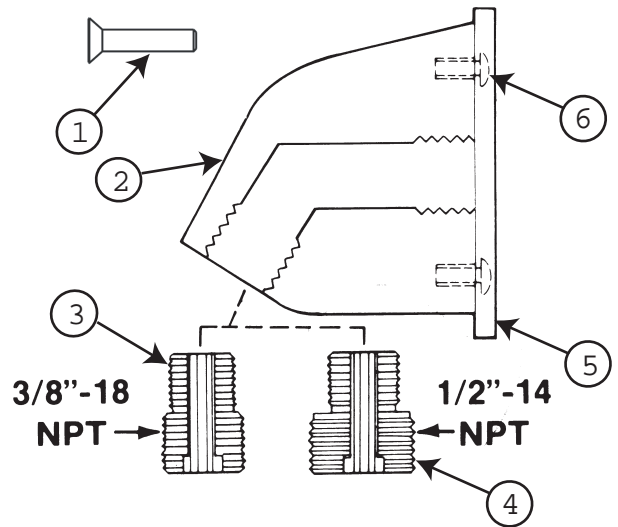
Bradley Showerheads

Column Showerheads Parts



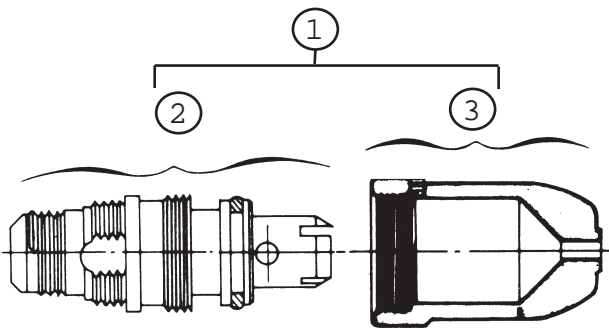
Item	Part #	Description
1	100788	Nut
2	117351	Showerhead Adapter (flare) 3/8" - 18 NPT
3	117349	Showerhead Adapter (flare) 1/2" - 14 NPT

Wall Showerhead Parts



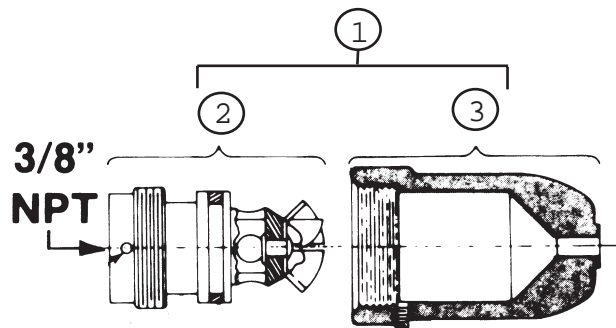
Item	Part #	Description
1	117519	Screw for Showerhead Plate
2	117442	Showerhead Arm
3	100793	Showerhead Adapter (straight) 3/8" - 18" NPT
4	117350	Showerhead Adapter (straight) 1-2" - 14" NPT
5	117407	Showerhead Plate
6	117513	Screw

Column Showerhead



Item	Part #	Description
1	100797	Complete Column Showerhead (male)
2	100798	Showerhead Core Assembly (male)
3	121138	Showerhead Shell w/ set screws

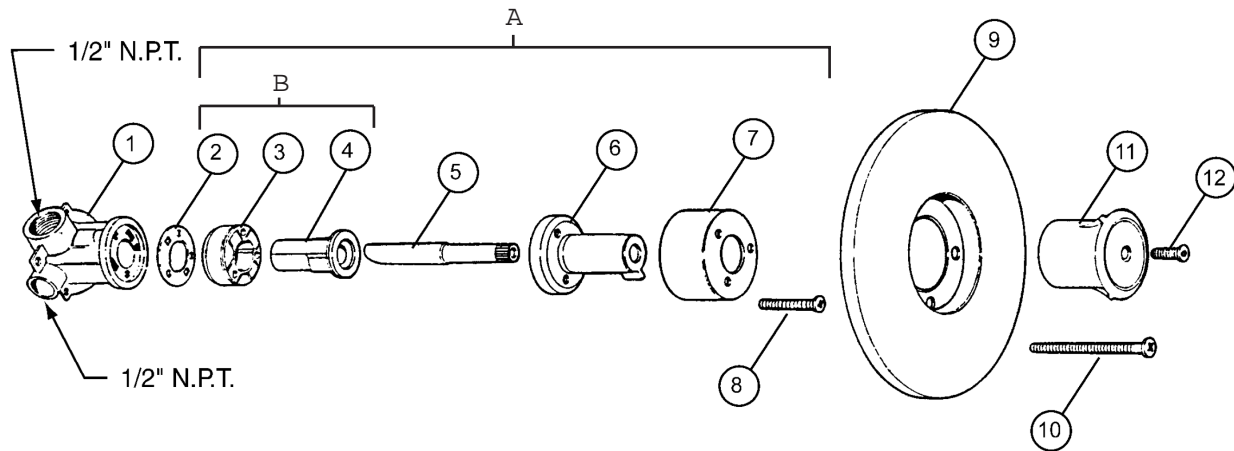
Wall Showerhead



Item	Part #	Description
1	100800	Complete Wall Showerhead (female)
2	100801	Showerhead Core Assembly (female)
3	121138	Showerhead Shell w/ set screws

Bradley Shower Valve

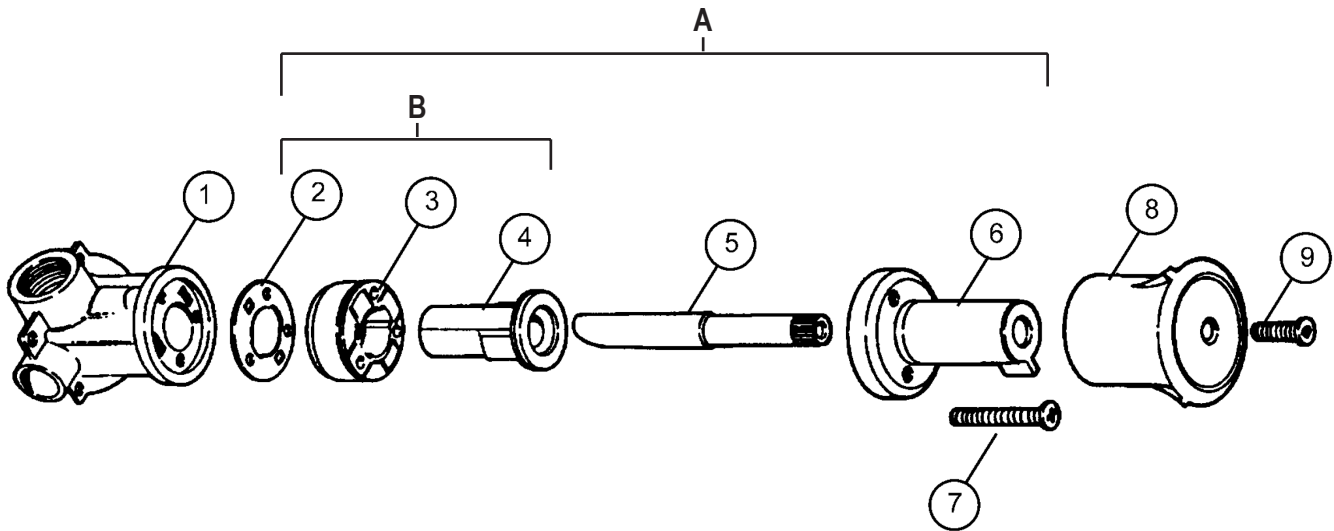
Bradley Bradtrol Shower Valve for Individual Showers



Item	Part #	Description	A Valve Assembly #100825 includes	B Repair Kit #100826 includes
1	119170	Valve Body		
2	119166	Gasket	1	1
3	119165	Cartridge	1	1
4	119172	Sleeve & Insert	1	1
5	119173	Cam	1	
6	119160	Cam Bearing	1	
7	119171	Cam Bearing Cover	1	
8	121449	Screw	3	
9	119162	Escutcheon		
10	117568	Escutcheon Screw		
11	100809	Handle		
12	100810	Handle Screw		

Bradley Shower Valve

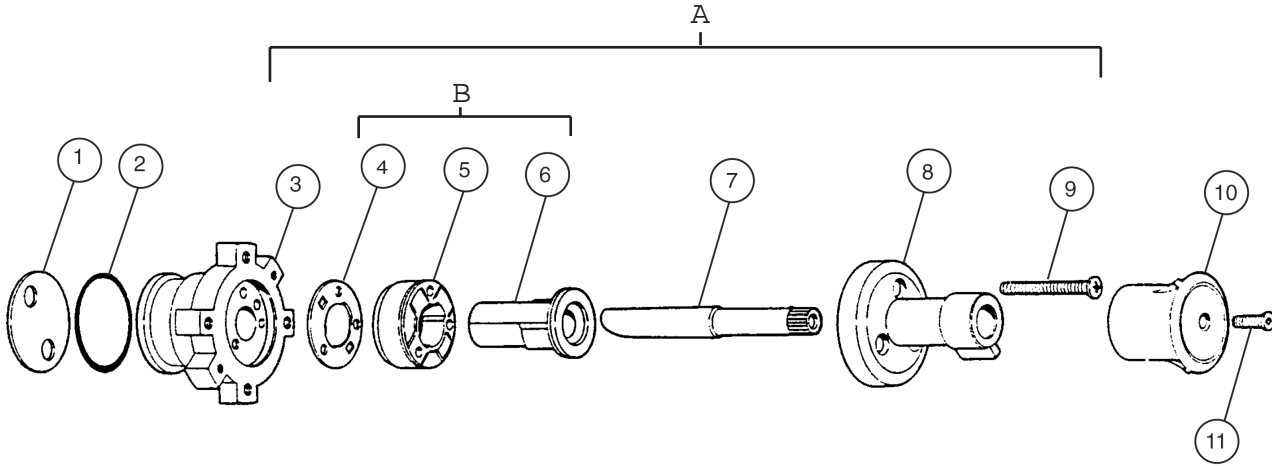
Bradley Bradtrol Shower Valve for Econo-Wall, Wall Save, and Panelons



Item	Part #	Description	A Valve Assembly #119857 includes	B Repair Kit #100812 includes
1	119169	Valve Body		
2	119166	Gasket	1	1
3	119165	Cartridge	1	1
4	119172	Sleeve & Insert	1	1
5	116495	Cam	1	
6	116540	Cam Bearing	1	
7	121449	Screw	3	
8	100809	Handle		
9	100810	Handle Screw		

Bradley Shower Valve

Bradley Bradtrol Shower Valve for Column Showers



Complete Valve (2-5 Person Column) Part **#121465**

Complete Valve (6 Person Column) Part **#120711**

Item	Part #	Description	A Valve Assembly #100813 includes	B Repair Kit #100812 includes
1	116593	Gasket		
2	106376	Gasket		
3	116391	Adapter	1	
4	119166	Gasket	1	1
5	119165	Cartridge	1	1
6	119172	Sleeve and Insert	1	1
7	100818	Cam	1	
8	116540	Cam Bearing	1	
9	121449	Screw	3	
10	100809	Handle		
11	100810	Handle Screw		

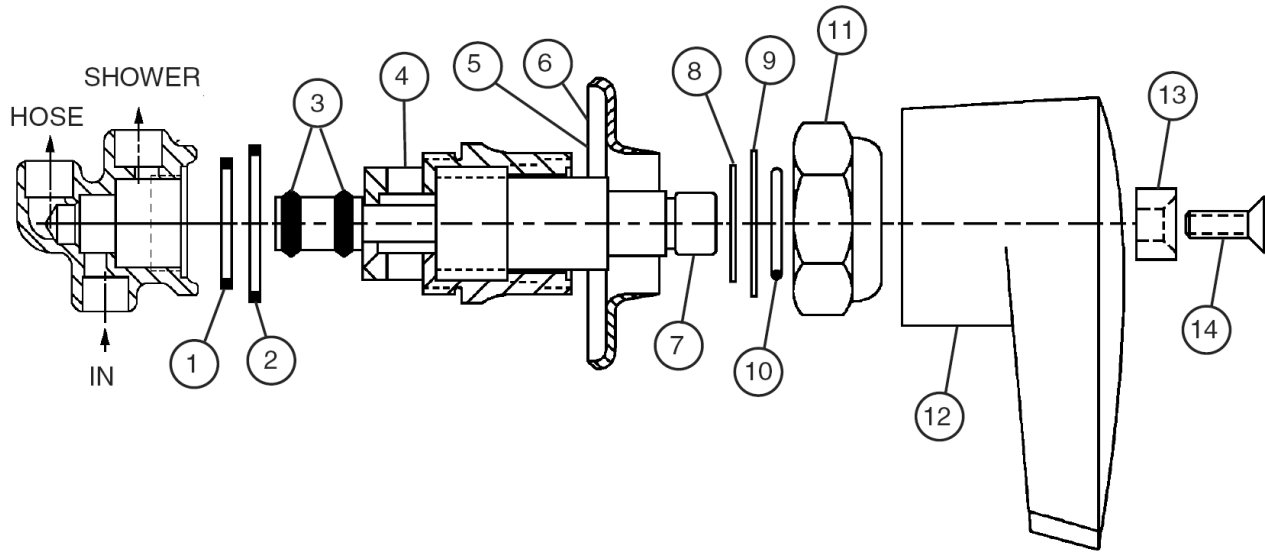
Items Not Shown

Part # Description

117231	Escutcheon, 6 Person Shower
117232	Escutcheon, 2-5 Person Shower
117526	Screw for Upper Escutcheon Hole
100990	Screw for Lower Escutcheon Hole

Bradley Diverter Valve

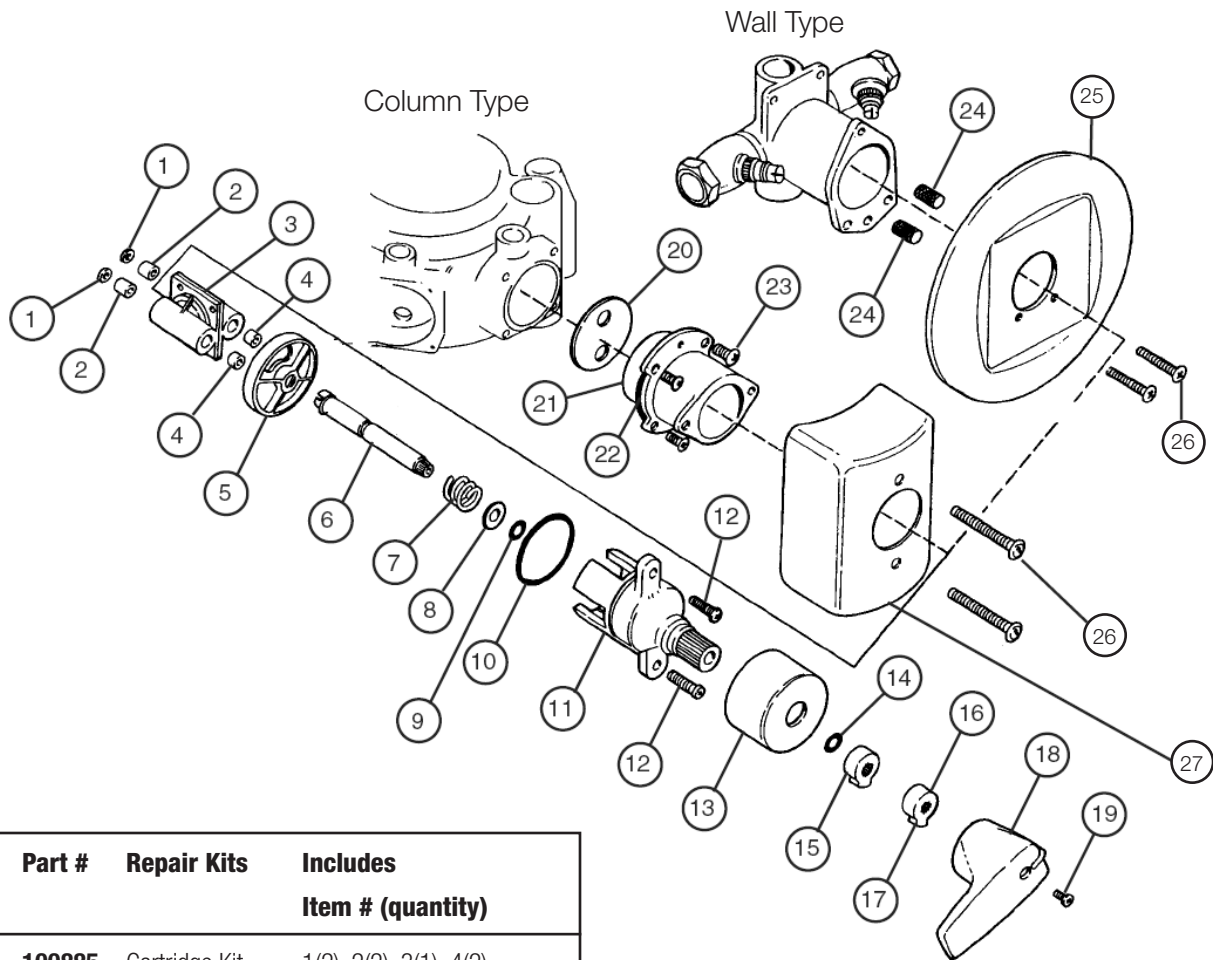
Bradley Diverter Shower Valve for Econo-Walls and Column Showers



Item	Part #	Description	A Valve Assembly #120408 includes	B Repair Kit #120426 includes
1	100835	Washer	1	1
2	100836	Washer	1	1
3	100837	Washer	2	2
4	116398	Valve Body	1	1
5	117230	Escutcheon - Flat		1
6	117224	Escutcheon - Column	1	
7	116506	Stem	1	1
8	117095	Washer	1	1
9	100667	Washer	1	1
10	116586	O-Ring	1	1
11	116539	Bonnet	1	1
12	116708	Handle	1	1
13	117316	Insert	1	1
14	100810	Screw	1	1

Bradley Shower Valve

Bradley Equa-Flo Shower Valve Prior to March 2002



Part #	Repair Kits	Includes Item # (quantity)
100885	Cartridge Kit	1(2), 2(2), 3(1), 4(2)
100886	Stem Kit	6(1), 7(1), 9(1)
100887	Gasket Kit	1(2), 4(2), 9(1), 14(1)

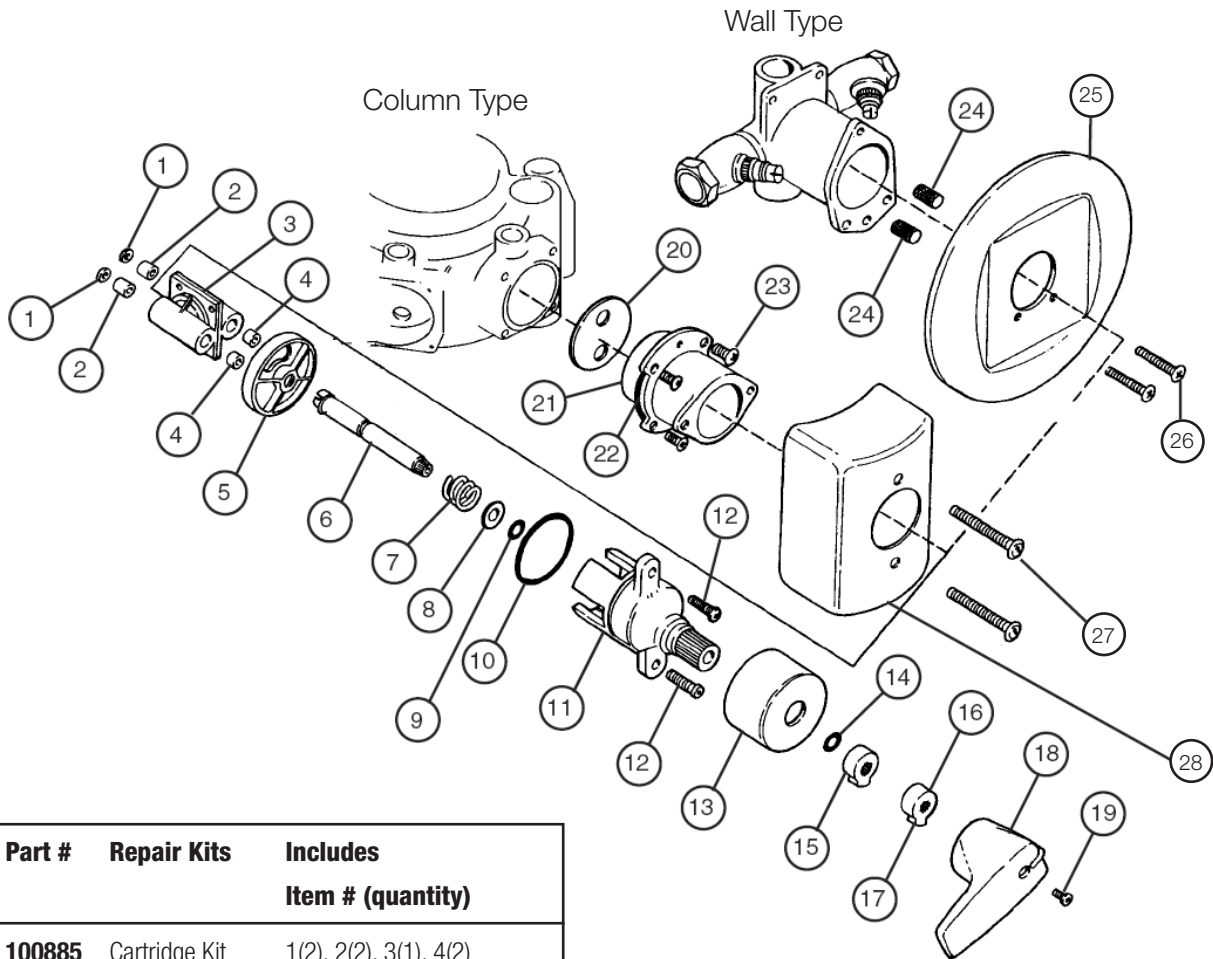
Item	Part #	Description
1	116645	Square Ring
2	120655	Sleeve & Flipper
3*	-----	Cartridge Housing
4	116657	Double-face Seal
5	100853	Rotor
6	116530	Stem
7	116834	Spring
8	100856	Washer
9	116589	O-Ring
10	100858	O-Ring
11	100859	Cap/Clamp
12	100860	Screw
13	100861	Cover
14	100862	O-Ring
15	100863	OFF Limit Stop

Item	Part #	Description
16	100864	Hot Limit Stop
17	100865	Set Screw
18	100866	Handle
19	100867	Screw
20	116593	Gasket
21	116403	Valve Body
22	106376	Top Seat Gasket
23	117761	Screws
24	Disc.	Internal Screens
25	119176	Escutcheon (individual)
	119183	Escutcheon (wall Saver)
	119175	Escutcheon (Panelon & Econowall)
26	117563	Escutcheon Screws
27	117244	Escutcheon (6 person column)
	117243	Escutcheon (2-5 person column)

*Only available in kit #100885

Bradley Shower Valve

Bradley Equa-Flo Shower Valve March 2002 to July 2004



Part #	Repair Kits	Includes Item # (quantity)
100885	Cartridge Kit	1(2), 2(2), 3(1), 4(2)
100886	Stem Kit	6(1), 7(1), 9(1)
100887	Gasket Kit	1(2), 4(2), 9(1), 14(1)

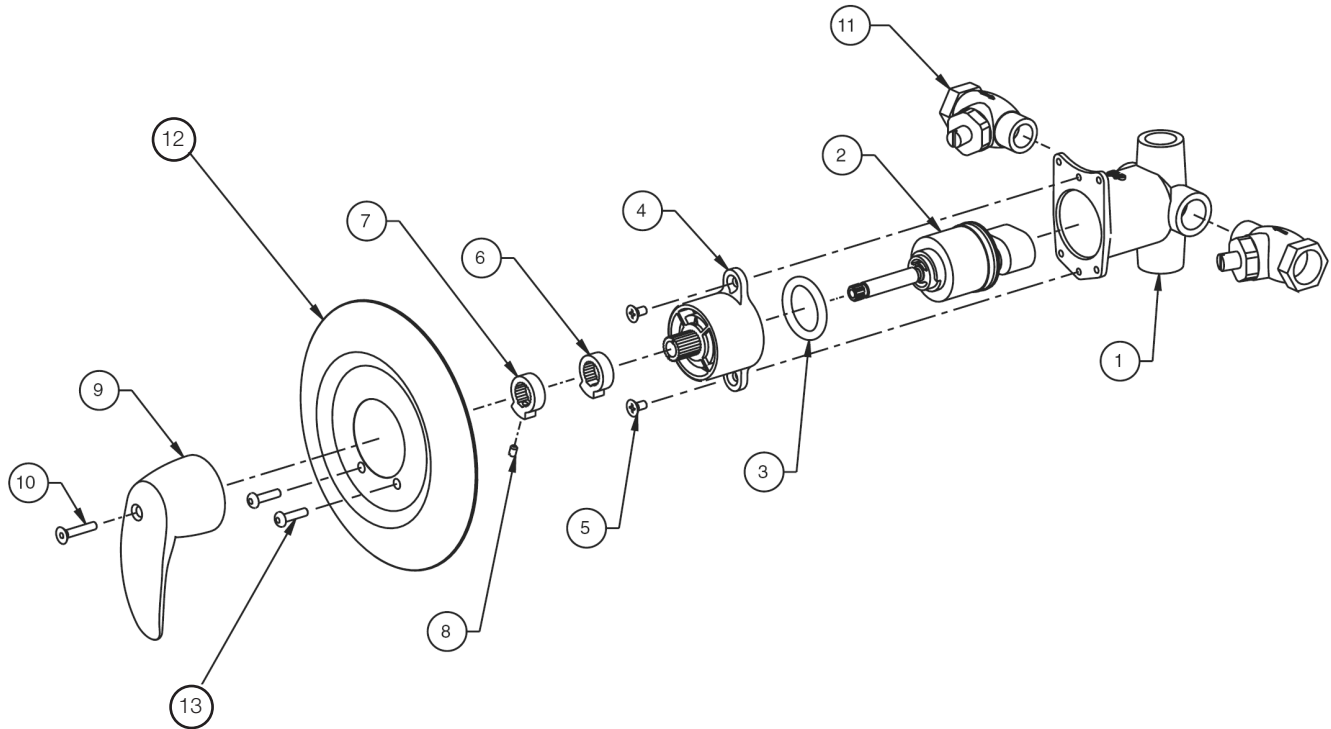
Item	Part #	Description
1	116645	Square Ring
2	120655	Sleeve & Flipper
3*	-----	Cartridge Housing
4	116657	Double-face Seal
5	100853	Rotor
6**	-----	Stem
7	116834	Spring
8	100856	Washer
9	116589	O-Ring
10	100858	O-Ring
11	100859	Cap/Clamp
12	100860	Screw
13	100861	Cover
14	100862	O-Ring
15	100863	OFF Limit Stop

Item	Part #	Description
16	100864	HOT Limit Stop
17	100865	Set Screw
18	107332	Handle
19	100867	Handle Screw
20	116593	Gasket
21	116403	Valve Body
22	106376	Top Seat Gasket
23	117761	Screws
24	Disc.	Internal Screens
25	119177	Escutcheon (individual & econowall)
	119178	Escutcheon (panelon)
	119183	Escutcheon (wall saver)
26	100860	Escutcheon Screws
27	117563	Escutcheon Screws
28	117273	Escutcheon (6 person column)
	117272	Escutcheon (2-5 person column)

*Only available in kit #100885 **Only available in Kit #100886

Bradley Shower Valve

Bradley Equa-Flo Pressure Balancing Shower Valve Individual, Econo-Wall, & Panelon August 2004 to Present



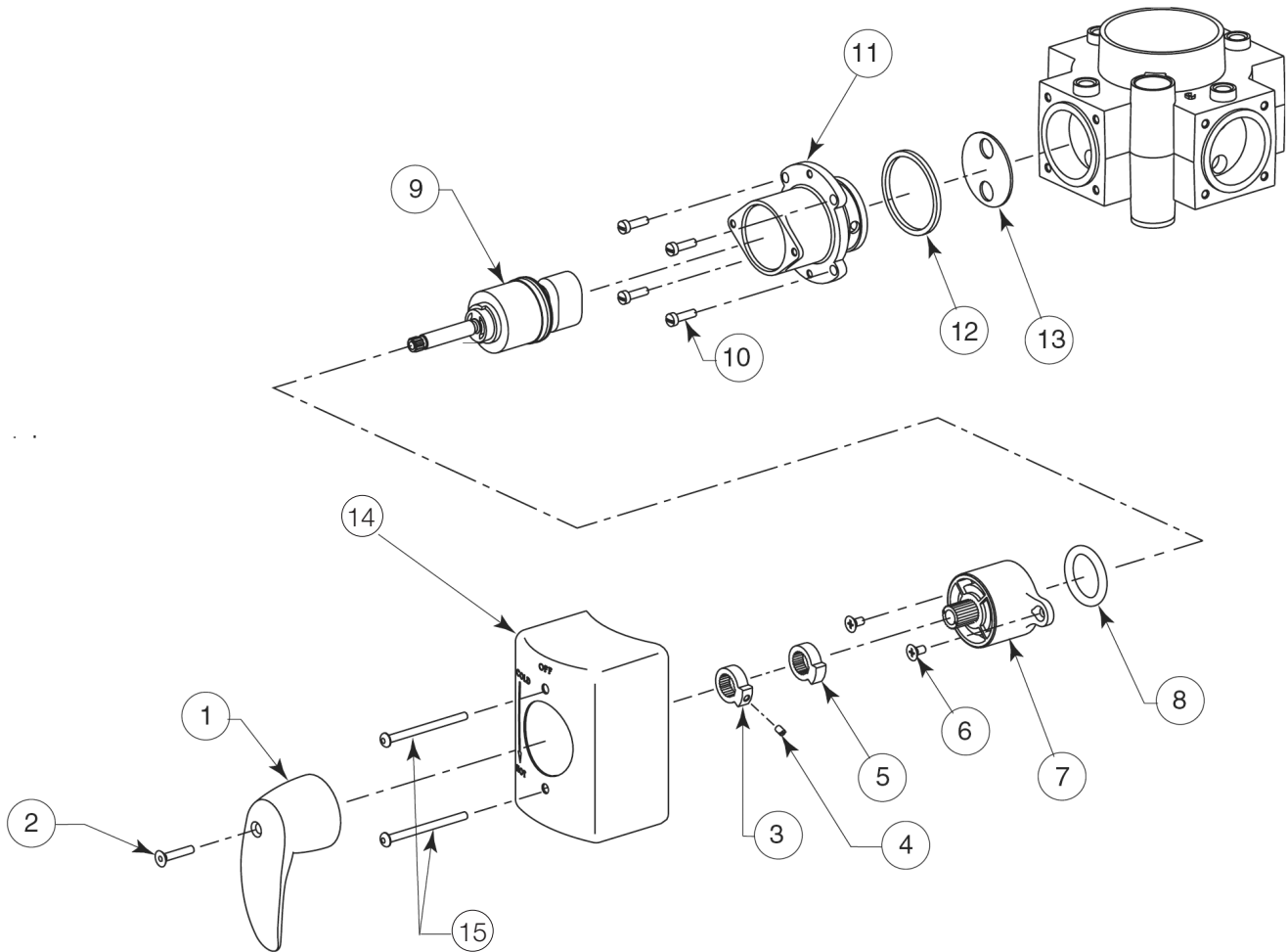
Item	Part #	Description
1	116404	Valve Body
2 & 3	100893	Cartridge Assy. w/ O-Ring
4	116018	Cap
5	117632	Flat Head Screw
6	100863	Limit Stop, "OFF"
7	100864	Limit Stop, "HOT"
8	100865	Set Screw
9	107332	Handle
10	100867	Flat Head Screw
11	119945	Check Stop
12	119177	Escutcheon, Individual & Econo-wall
	119178	Escutcheon, Panelon
	119183	Escutcheon, Wall Saver
13	100860	Escutcheon Screws, Econo-wall, Panelon, & Wall-Saver
	117564	Escutcheon Screws, Individual

Part #	Description
120898	Individual & Econo-wall Showers
121467	Panelon Showers
120899	Wall Saver Showers

Above kits are per station (for 5-person, order 5 valve kits)

Bradley Shower Valve

Bradley Equa-Flo Pressure Balancing Shower Valve for Column Showers August 2004 to Present



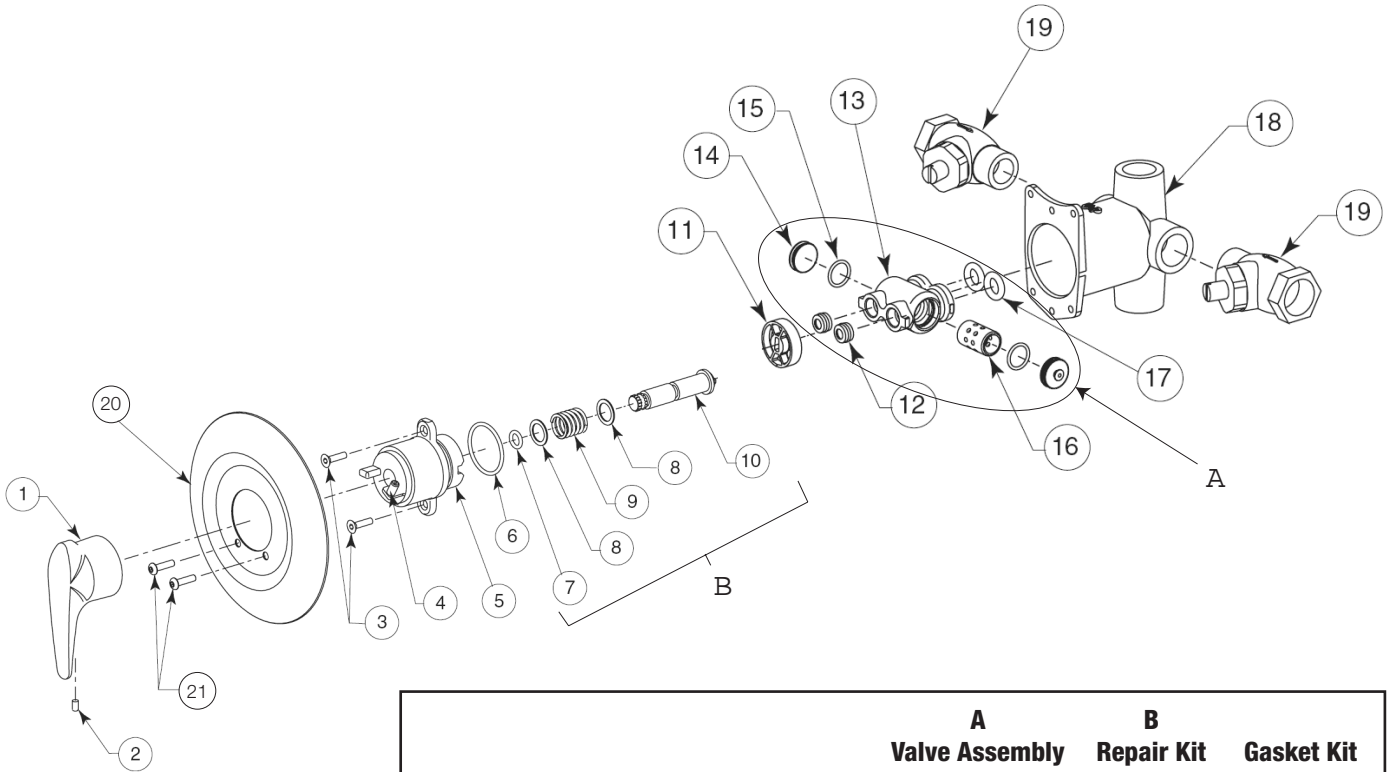
Item	Part #	Description
1	107332	Handle
2	100867	Flat Head Screw
3	100864	Limit Stop, "HOT"
4	100865	Set Screw
5	100863	Limit Stop, "OFF"
6	117632	Flat Head Screw
7	116018	Cap
8 & 9	100893	Cartridge Assy. w/ O-Ring
10	117761	Screw
11	116403	Valve Body
12	106376	Gasket
13	116593	Washer
14	117273	Escutcheon (6 person)
	117272	Escutcheon (2-5 person)
15	117563	Escutcheon Screws

Part #	Description
120900	2-5 Person Shower
120901	6 Person Shower

Above kits are per station (for 5-person, order 5 valve kits)

Bradley Shower Valve

Bradley Equa-Flo HD Pressure Balancing Shower Valve for Individual, Econo-Wall, Wall Saver, & Panelon Showers



Part # Description

121410	Individual & Econo-wall
121383	Panelon
120882	Wall-saver

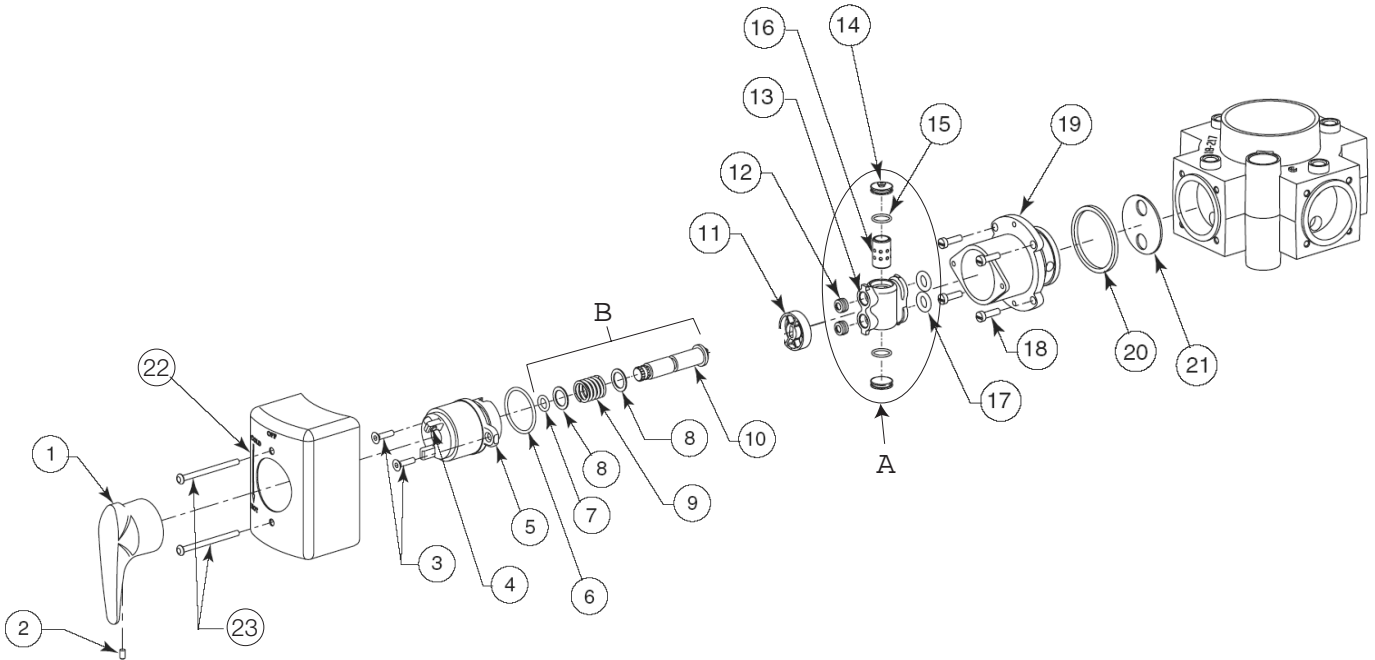
Above kits are per station
(for 5-person, order 5 valve kits)

*Only available with Stem Kit #121428

Item	Part #	Description	A Valve Assembly #121091 includes	B Repair Kit #121428 includes	Gasket Kit #120880 includes
1	116758	Handle			
2	117538	Screw			
3	100810	Screw			
4	117626	Set Screw			
5	116013	Valve Cap			
6	116688	O-Ring			1
7	116584	O-Ring		1	1
8	160774	Washer		2	
9*	-----	Spring		1	
10*	-----	Stem		1	
11	116535	Rotor			
12	116657	Double Face Seal	2		2
13	116450	Cartridge Housing	1		
14	117393	Retainer	2		
15	116592	O-Ring	2		2
16	116484	Piston	1		
17	116689	O-Ring	2		2
18	116404	Valve Body			
19	119945	Stops			
20	119177	Escutcheon, Ind & Econo-wall			
	119178	Escutcheon, Panelon			
	119183	Escutcheon, Wall Saver			
21	100860	Escutcheon Screws			

Bradley Shower Valve

Bradley Equa-Flo HD Pressure Balancing Shower Valve for Column Showers



Part #	Description
120883	2-5 Person Shower
120884	6 Person Shower

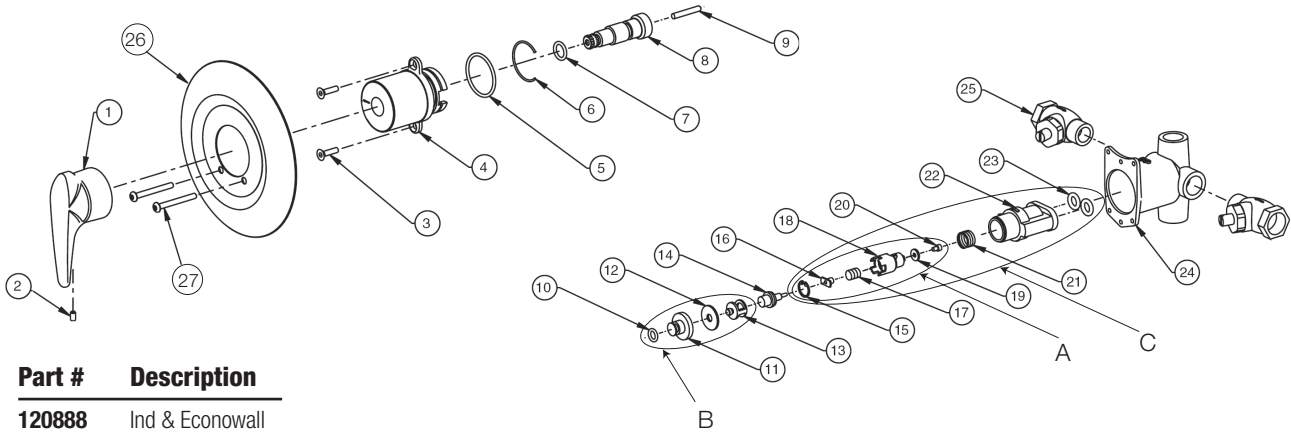
Above kits are per station
(for 5-person, order 5 valve kits)

*Only available with Stem Kit #121428

Item	Part #	Description	A Valve Assembly #121091 includes	B Repair Kit #121428 includes	Gasket Kit #120880 includes
1	116758	Handle			
2	117538	Screw			
3	100810	Screw			
4	117626	Set Screw			
5	116013	Valve Cap			
6	116688	O-Ring			1
7	116584	O-Ring		1	1
8	160774	Washer		2	
9*	-----	Spring		1	
10*	-----	Stem		1	
11	116536	Rotor			
12	116657	Double Face Seal	2		2
13	116450	Cartridge Housing	1		
14	117393	Retainer	2		
15	116592	O-Ring	2		2
16	116484	Piston	1		
17	116689	O-Ring	2		2
18	117761	Screw			
19	116403	Valve Body			
20	106376	Gasket			1
21	116593	Washer			1
22	117273	Escutcheon (6 person)			
	117272	Escutcheon (2-5 person)			
23	117563	Escutcheon Screw			

Bradley Shower Valve

**Bradley Thermostatic Shower Valve April 2003 to Present
for Individual, Econo-Wall, Wall Saver and Panelon Showers**



Part # Description

- 120888** Ind & Econowall
- 120889** Panelon
- 120890** Wall Saver

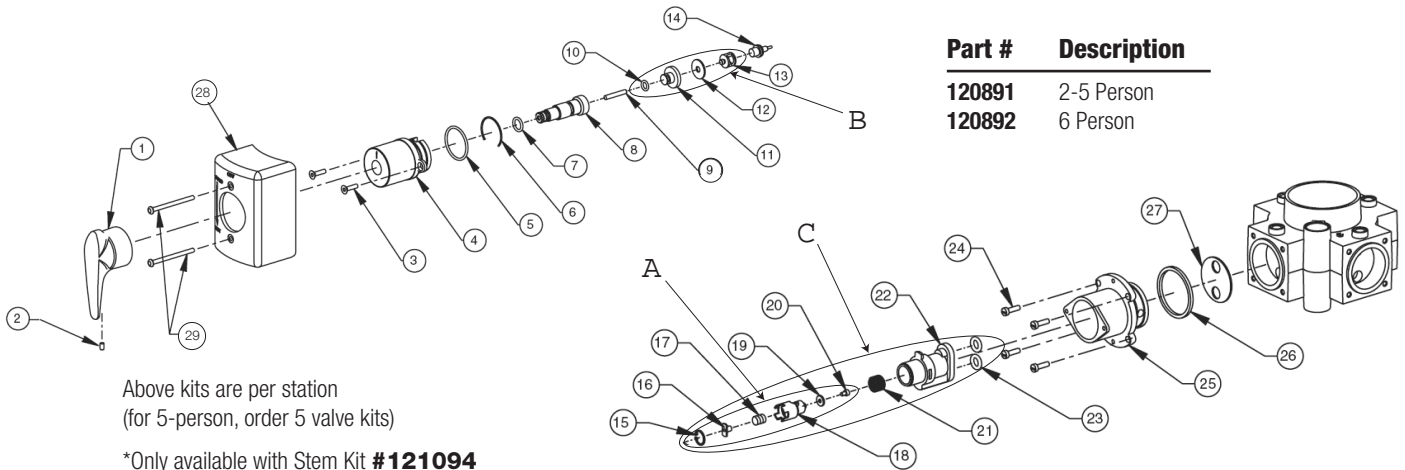
Above kits are per station
(for 5-person, order 5 valve kits)

*Only available with Stem Kit #121094

Item	Part #	Description	A Valve Assembly #120703 includes	B Repair Kit #121094 includes	Thermostat #120893 includes	C Piston Kit #120887 includes	Gasket Kit #120885 includes
1	116758	Handle					
2	117538	Set Screw					
3	100810	Flat Screw					
4	116012	Cap, TMV Shower					
5	116688	O-Ring			1		1
6	117392	Retainer, TMV Shower					
7	116601	O-Ring					1
8	116533	Stem, TMV Shower					
9	117619	Set Screw					
10	116608	O-Ring		1			1
11*	-----	Holder, Shutoff Disk		1			1
12*	-----	Disk, Shutoff		1			1
13*	-----	Retainer, Shutoff Disk		1			1
14	120094	Thermostat			1		
15	116811	Retaining Ring	1			1	
16	117383	Retainer, Overheat Spring	1			1	
17	116861	Spring	1			1	
18	116486	Piston	1			1	
19	117146	Seal, Disk Hot	1			1	
20	117618	Screw	1			1	
21	116858	Spring				1	
22	117174	Liner, TMV Shower				1	
23	116689	O-Ring				2	2
24	116404	Valve Body					
25	119945	Check Stops					
26	119180	Escutcheon, Ind, Econowall					
	119181	Escutcheon, Panelon					
	119182	Escutcheon, Wall Saver					
27	117564	Escutcheon Screws					

Bradley Shower Valve

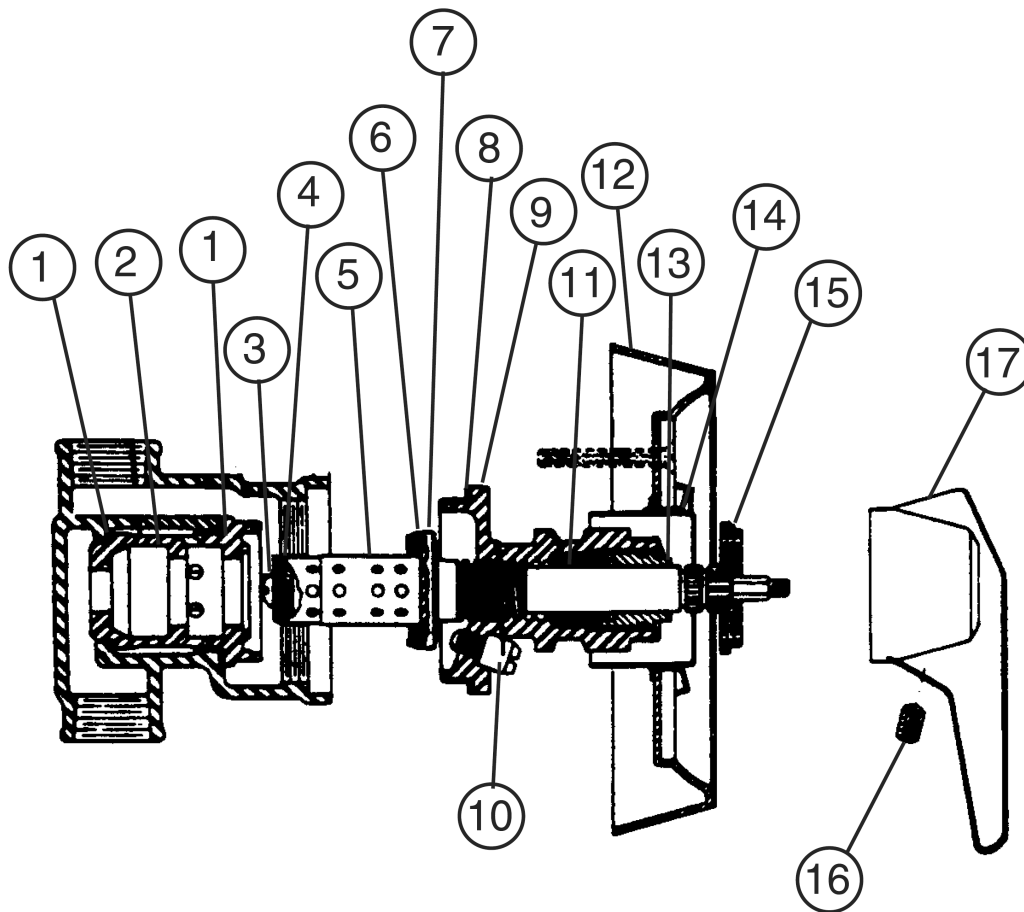
Bradley Thermostatic Shower Valve April 2003 to Present for Column Showers



Item	Part #	Description	A Valve Assembly #120703 includes	B Repair Kit #121094 includes	Thermostat #120893 includes	C Piston Kit #120887 includes	Gasket Kit #120885 includes
1	116758	Handle					
2	117538	Set Screw					
3	100810	Flat Screw					
4	116012	Cap, TMV Shower					
5	116688	O-Ring			1		1
6	117392	Retainer, TMV Shower					
7	116601	O-Ring					1
8	116533	Stem, TMV Shower					
9	117619	Set Screw					
10	116608	O-Ring		1			1
11*	-----	Holder, Shutoff Disk		1			1
12*	-----	Disk, Shutoff		1			1
13*	-----	Retainer, Shutoff Disk		1			1
14	120094	Thermostat			1		
15	116811	Retaining Ring	1			1	
16	117383	Retainer, Overhead Spring	1			1	
17	116861	Spring	1			1	
18	116486	Piston	1			1	
19	117146	Seal, Disk Hot	1			1	
20	117618	Screw	1			1	
21	116858	Spring				1	
22	117174	Liner, TMV Shower				1	
23	116689	O-Ring				2	
24	117761	Screw					
25	116403	Valve Body					
26	106376	Gasket					1
27	116593	Washer					1
28	117273	Escutcheon (6 person)					
	117272	Escutcheon (2-5 person)					
29	*117563	Escutcheon Screws					

Bradley Shower Valve

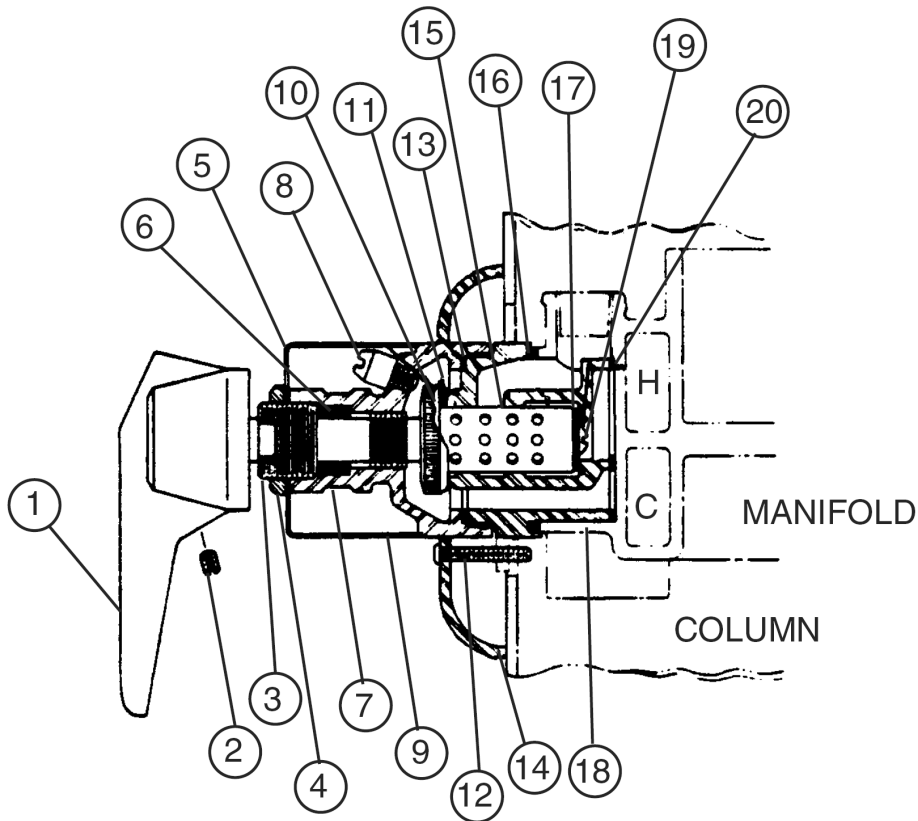
Bradley Pressure Balancing Mixing Valve for Panelon and Wall Showers



Item	Part #	Description
1	Disc.	Top & Bottom Seat Gasket
2	117778	Renewable Seat
3	Disc.	Hot Washer Screw
4	Disc.	Hot Washer
5	117777	Flow Control Spindle
6	117764	Cold Washer
7	Disc.	Cold Washer Retainer
8	117776	Cap Gasket
9	117775	Cap
10	100986	Limit Stop Assembly
11	Disc.	Packing
12	119942	Escutcheon & Screw
13	117774	Packing Nut
14	100987	Dome Cover
15	117772	Dome Lock Nut
16	107333	Handle Screw
17	Disc.	Handle

Bradley Shower Valve

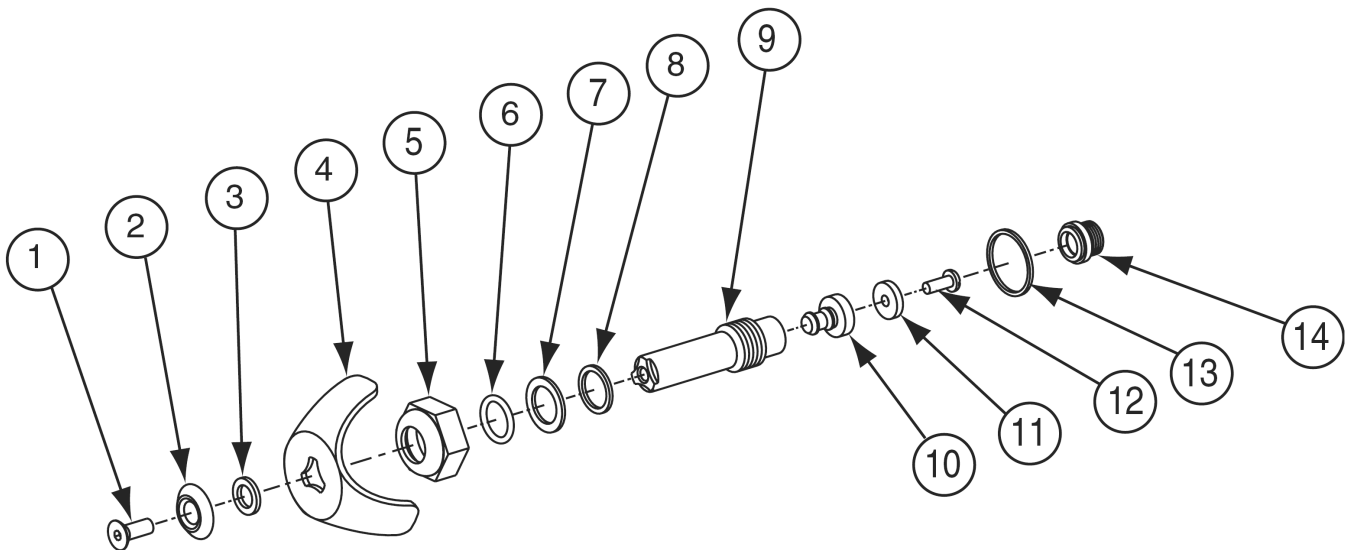
Bradley Pressure Balancing Mixing Valve for Column Showers



Item	Part #	Description	Gasket Kit #107334 includes
1	Disc.	Handle	
2	107333	Handle Set Screw	1
3	117763	Packing Nut	
4	100982	Lock Nut	
5	117767	Dial	
6	Disc.	Packing	2
7	100985	Cap	
8	Disc.	Limit Stop Assembly	
9	100987	Dome Cover	
10	Disc.	Cold Washer Retainer	1
11	117764	Cold Washer	1
12	100990	Escutcheon Screw	
13	Disc.	Cap Gasket	1
14	117227	Escutcheon, 2-5 person	
	117229	Escutcheon, 6 person	
15	100535	Flower Control Spindle	1
16	106376	Top Seat Gasket	1
17	Disc.	Hot Washer	
18	100996	Body Seat	1
19	Disc.	Hot Washer Screw	
20	106375	Bottom Seat Gasket	1

Bradley Shower Valve

Bradley Compression Shower Valve

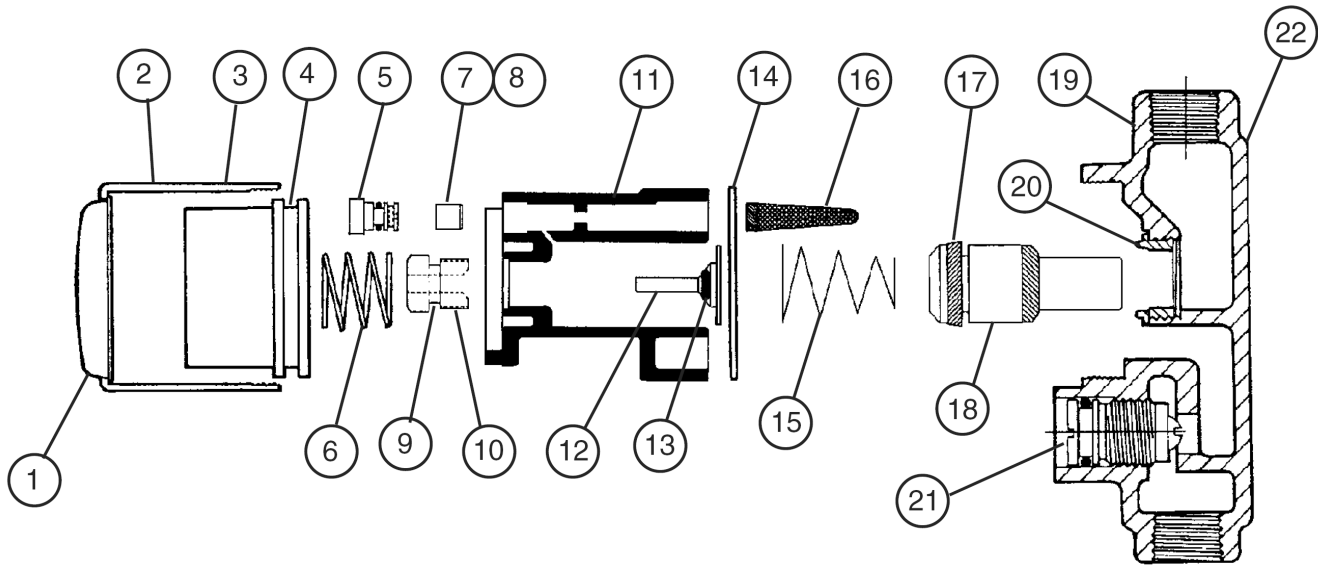


Item	Part #	Description	Complete Assy. # see chart includes	Valve Stem #101012 includes	Stem Extension #119856 includes	Parts Kit #101014 includes
1	101015	Screw	1			
2	106318	Index Washer (white)	1			
	101017	Index Washer (blue)	1			
	101018	Index Washer (red)	1			
3	106139	Insert Washer 1				
4	106140	Handle	1			
5	116539	Bonnet	1			
6	116586	O-Ring	1			1
7	100667	Fiber Washer	1			1
8	117095	Brass Washer	1			
9	101022	Valve Stem	1	1		
10	116493	Valve Stem Extension	1	1	1	1
11	116630	Bibb Washer	1	1	1	1
12	117543	Screw	1	1	1	1
13	100836	Fiber Washer - Valve Body				1
14	101027	Valve Seat H&C				1

Part #	Description
101009	Complete Valve Stem & Handle Assembly w/ White Index
107335	Complete Valve Stem & Handle Assembly w/ Blue Index
107336	Complete Valve Stem & Handle Assembly w/ Red Index

Bradley Shower Valve

Bradley Touch 'N Flo Shower Valve



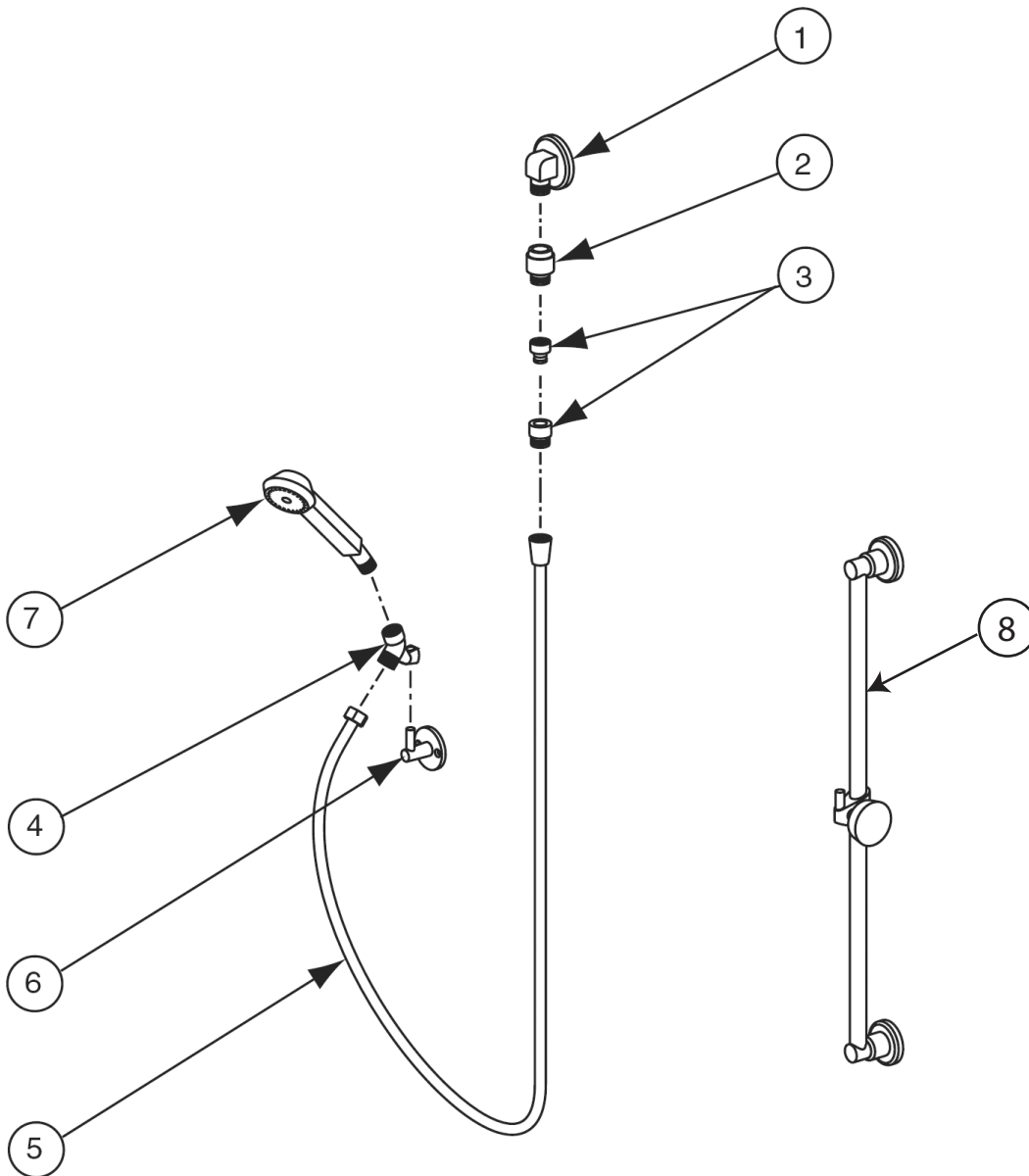
Item	Part #	Description	Complete Assy. #106427* includes	Valve Stem #101029 includes	Stem Extension #101030 includes	Parts Kit #101031 includes
1	116707	Push Button	1			
2	115918	Cover 1-5/8" Long	1			
3	115920	Cover (individual only)				
4	117988	Space (individual only)				
5	119860	Screw Assembly	1	1	1	
6	101037	Spring	1			
7	121261	Standard Fixed Orifice Assy.	1	1	1	1
8	121263	Longer Cycle Orifice Assy.				
9	116588	O-Ring				
10	121093	Guide	1	1	1	
11	116419	Body	1	1	1	
12	121381	Poppet Assembly	1	1	1	
13	116628	O-Ring				1
14	106162	Gasket				1
15	116837	Conical Spring	1		1	1
16	117906	Filter	1	1	1	1
17	116655	U-Cup				
18	101049	Plunger Assembly	1		1	1
19	116394	Bottom Body				
20	116365	Seat				
21	106428	Internal Stop Core				
22	119954	Bottom Body Assembly				

Valve Style	Escutcheon Part #	Screw Part #
6-Person Column Shower	117228	106947
2-5 Person Column Shower	117226	106947
All Other Showers	117239	117549

*For "short cover" valve only.

Bradley Shower Valve

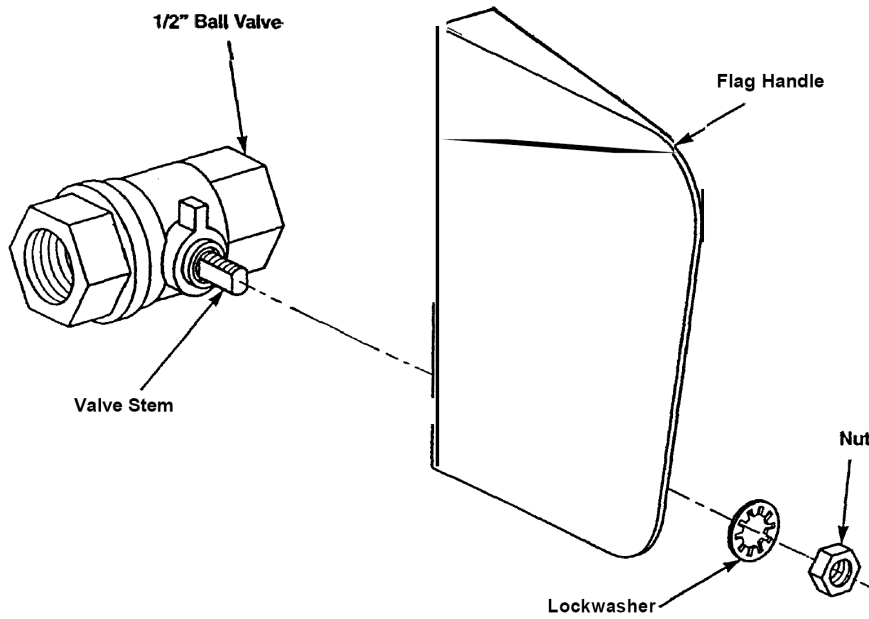
Bradley Hand Held Shower Head



Item	Part #	Description	Shower Kit #160773 includes
1	117860	Supply Elbow w/ Flange	1
2	100971	Back Flow Preventer	1
3	107229	Quick Connector	1
4	107637	Swivel Connector	1
5	107230	S.S. Flex Hose 60"	1
6	117863	Wall Mount - Showerhead	1
7	107636	Hand Shower Head	1
8	117859	Slide Bar 24"	

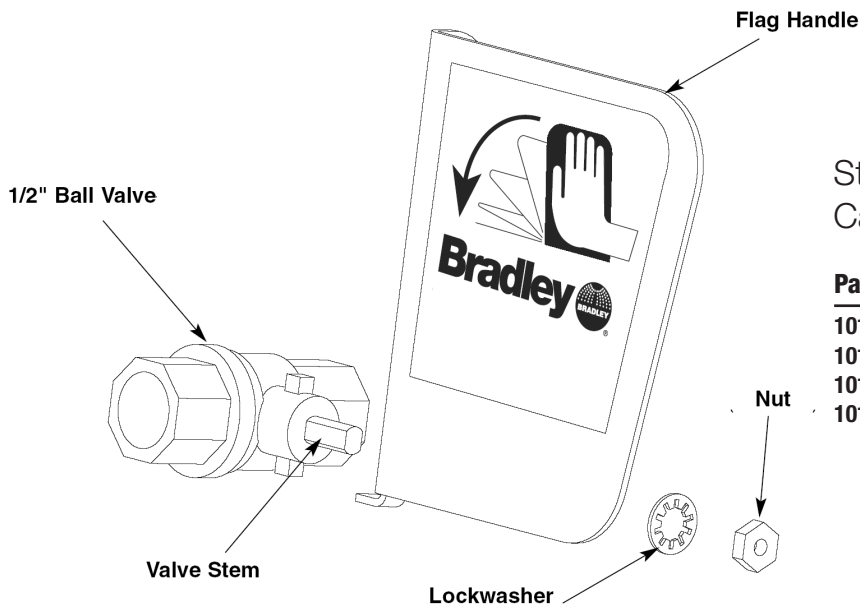
Bradley Eyewash Parts

Plastic Eyewash Handle and Valve



Part #	Description
101059	Plastic Handle w/ hardware
107337	#40577 w/ Blue Valve
101061	Ball Valve Only

Stainless Steel Eyewash Handle and Valve



Stainless Steel Handle Kit **#101062**
Can replace plastic handle.

Part #	Description
101062	S. Steel Handle w/ hardware
101063	#40580 w/ Blue Valve
101061	Ball Valve Only
101109	Stainless Steel Handle Adapter