



a Geberit company

2100 South Clearwater Drive
Des Plaines, IL 60018
Phone: 847-803-5000
Fax: 847-803-5454
www.chicagofaucets.com

REPAIR PARTS

BY: JAR DATE: 10-05-06

CHK: *[Signature]* REV: 12-09-08

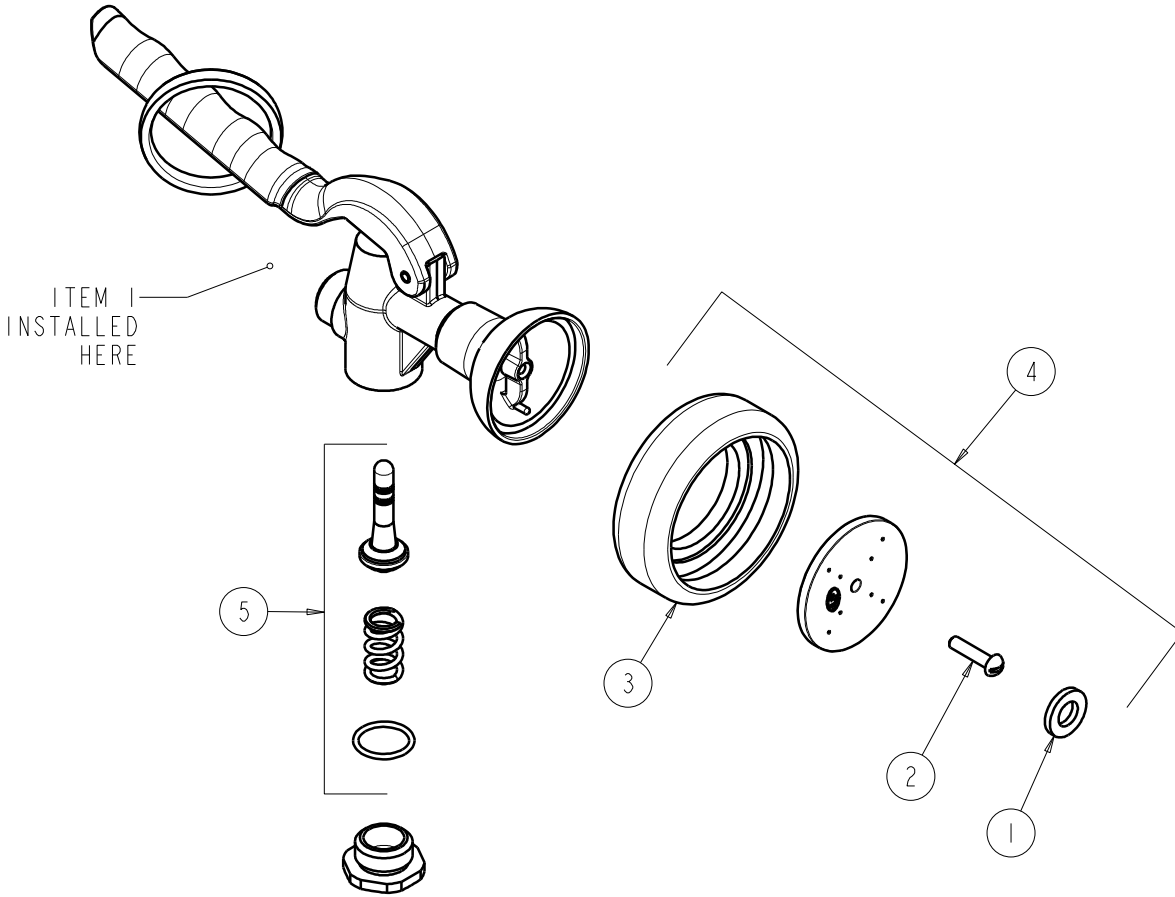
FITTING NO.

80-LCP

SUBMITTED MODEL NO.

ITEM NO.

FOR TECHNICAL ASSISTANCE
1-800-TEC-TRUE (1-800-832-8783)



ITEM	PART NO.	DESCRIPTION
1	919-143JKNF	GASKET, .67 X .35 X .09 (1 PER)
2	919-037JKNF	SCREW
3	919-235JKNF	BUMPER, RUBBER
4	919-150KJKNF	LOW FLOW,FACE-BUMPER RENEW KIT
5	919-130KJKNF	RENEWAL KIT, VALVE STEM ASSEMBLY