

**CHICAGO FAUCETS**  
a Geberit company

2100 South Clearwater Drive  
Des Plaines, IL 60018  
Phone: 847-803-5000  
Fax: 847-803-5454  
www.chicagofaucets.com

**REPAIR PARTS**

FITTING NO.

116.306.21.1

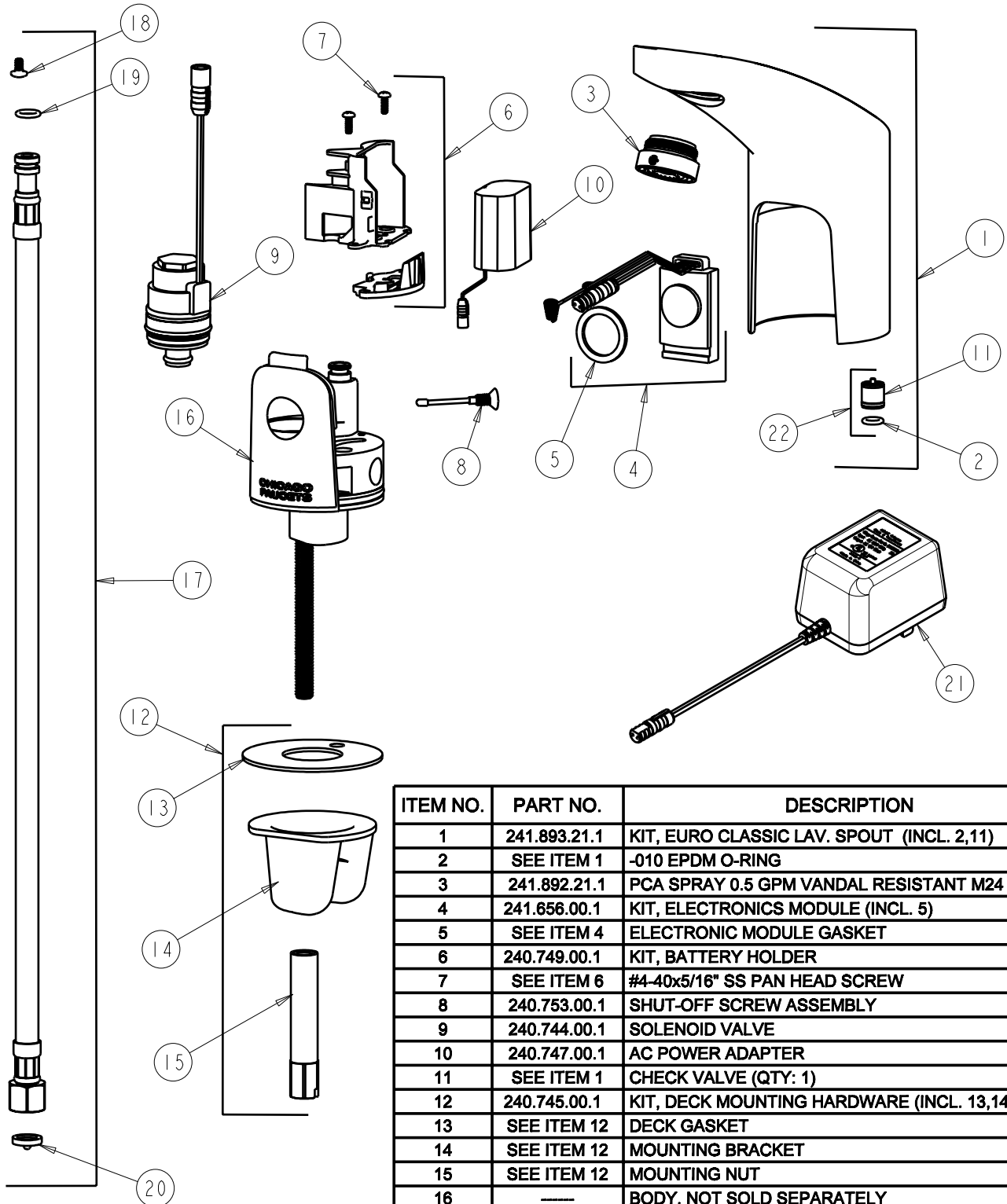
SUBMITTED MODEL NO.

ITEM NO.

**FOR TECHNICAL ASSISTANCE**  
1-800-TEC-TRUE (1-800-832-8783)

BY: SID DATE: 01-22-08

CHK: REV:



ITEM NO.	PART NO.	DESCRIPTION
1	241.893.21.1	KIT, EURO CLASSIC LAV. SPOUT (INCL. 2,11)
2	SEE ITEM 1	-010 EPDM O-RING
3	241.892.21.1	PCA SPRAY 0.5 GPM VANDAL RESISTANT M24 MALE
4	241.656.00.1	KIT, ELECTRONICS MODULE (INCL. 5)
5	SEE ITEM 4	ELECTRONIC MODULE GASKET
6	240.749.00.1	KIT, BATTERY HOLDER
7	SEE ITEM 6	#4-40x5/16" SS PAN HEAD SCREW
8	240.753.00.1	SHUT-OFF SCREW ASSEMBLY
9	240.744.00.1	SOLENOID VALVE
10	240.747.00.1	AC POWER ADAPTER
11	SEE ITEM 1	CHECK VALVE (QTY: 1)
12	240.745.00.1	KIT, DECK MOUNTING HARDWARE (INCL. 13,14,15)
13	SEE ITEM 12	DECK GASKET
14	SEE ITEM 12	MOUNTING BRACKET
15	SEE ITEM 12	MOUNTING NUT
16	-----	BODY, NOT SOLD SEPARATELY
17	240.693.00.1	KIT, SS BRAIDED HOSE (QTY: 1) (INCL. 18,19,20)
18	SEE ITEM 17	#6-32x1/4" SS BINDER HEAD SCREW
19	SEE ITEM 17	-011 EPDM O-RING
20	3300-005	FILTER GASKET
21	240.630.00.1	TRANSFORMER, SINGLE USE PLUG IN
22	241.653.00.1	KIT, CHECK VALVES & O-RINGS