

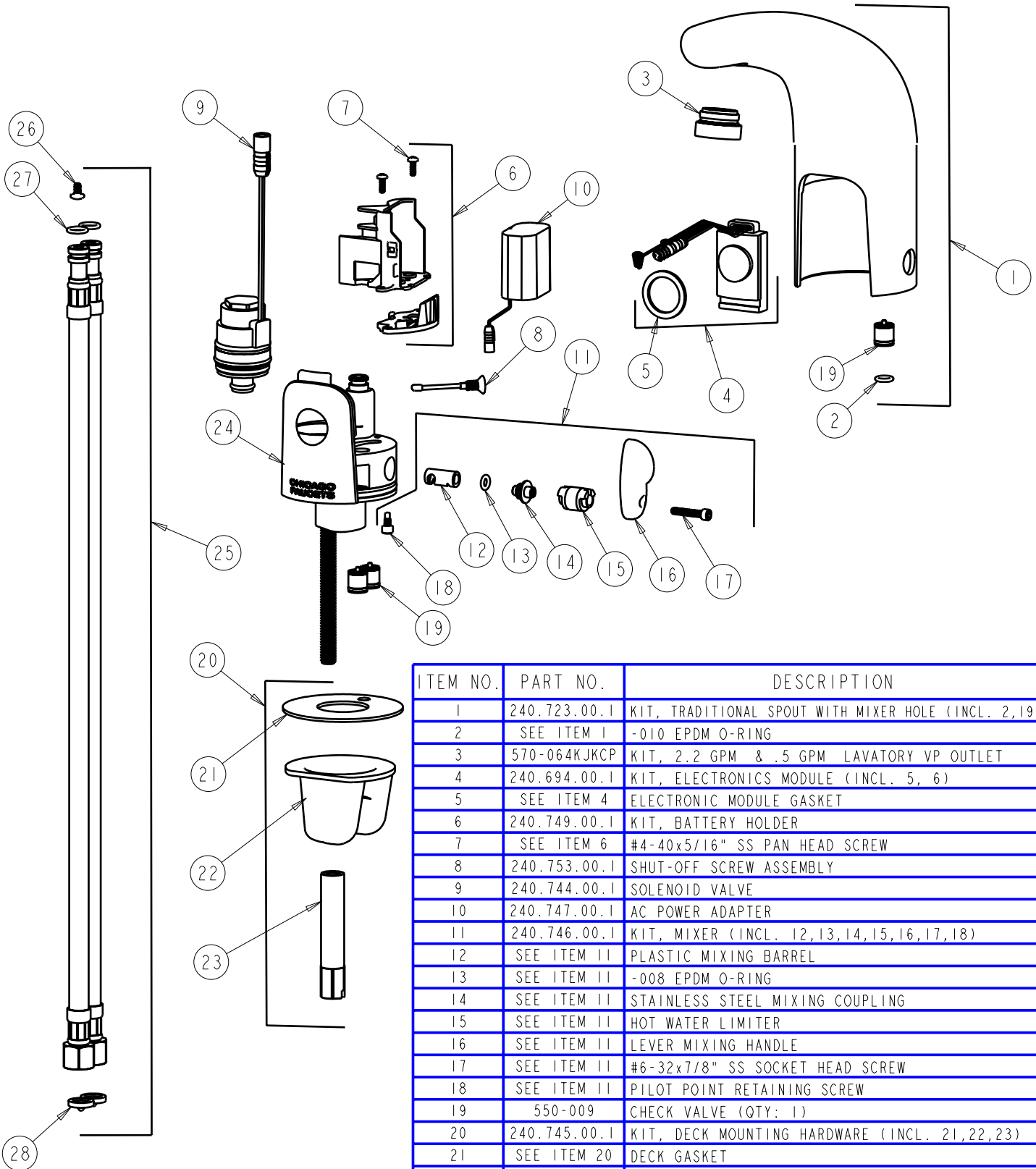
PARTS LIST

BY: SID
CHK'D: *[Signature]*



FINISH: AS SPECIFIED
DATE: 06-26-06
REV: 08-08-07

116.121.21.1



ITEM NO.	PART NO.	DESCRIPTION
1	240.723.00.1	KIT, TRADITIONAL SPOUT WITH MIXER HOLE (INCL. 2,19)
2	SEE ITEM 1	-010 EPDM O-RING
3	570-064KJKCP	KIT, 2.2 GPM & .5 GPM LAVATORY VP OUTLET
4	240.694.00.1	KIT, ELECTRONICS MODULE (INCL. 5, 6)
5	SEE ITEM 4	ELECTRONIC MODULE GASKET
6	240.749.00.1	KIT, BATTERY HOLDER
7	SEE ITEM 6	#4-40x5/16" SS PAN HEAD SCREW
8	240.753.00.1	SHUT-OFF SCREW ASSEMBLY
9	240.744.00.1	SOLENOID VALVE
10	240.747.00.1	AC POWER ADAPTER
11	240.746.00.1	KIT, MIXER (INCL. 12,13,14,15,16,17,18)
12	SEE ITEM 11	PLASTIC MIXING BARREL
13	SEE ITEM 11	-008 EPDM O-RING
14	SEE ITEM 11	STAINLESS STEEL MIXING COUPLING
15	SEE ITEM 11	HOT WATER LIMITER
16	SEE ITEM 11	LEVER MIXING HANDLE
17	SEE ITEM 11	#6-32x7/8" SS SOCKET HEAD SCREW
18	SEE ITEM 11	PILOT POINT RETAINING SCREW
19	550-009	CHECK VALVE (QTY: 1)
20	240.745.00.1	KIT, DECK MOUNTING HARDWARE (INCL. 21,22,23)
21	SEE ITEM 20	DECK GASKET
22	SEE ITEM 20	MOUNTING BRACKET
23	SEE ITEM 20	MOUNTING NUT
24	-----	BODY, NOT SOLD SEPARATELY
25	240.693.00.1	KIT, SS BRAIDED HOSE (QTY: 1) (INCL. 26,27,28)
26	SEE ITEM 25	#6-32x1/4" SS BINDER HEAD SCREW
27	SEE ITEM 25	-011 EPDM O-RING
28	3300-005	FILTER GASKET