

# PARTS LIST

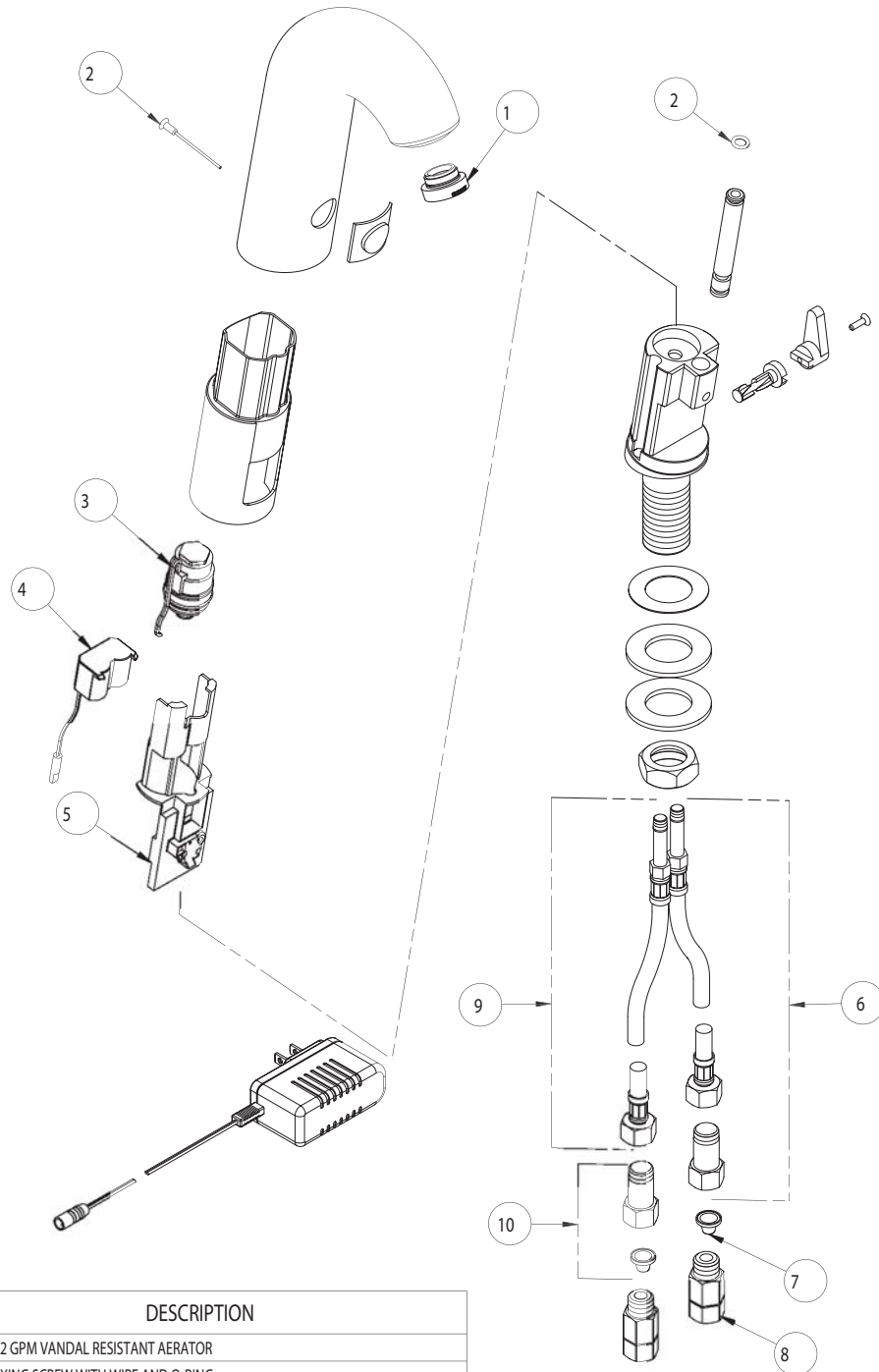
BY: SID  
CHK'D:

CHICAGO FAUCETS  
a Geberit company

FINISH:  
DATE:

AS SPECIFIED  
02-04-04

115.726.21.1



ITEM NO.	PART NO.	DESCRIPTION
1	242.031.21.1	2.2 GPM VANDAL RESISTANT AERATOR
2	242.038.00.1	FIXING SCREW WITH WIRE AND O-RING
3	242.036.00.1	SOLENOID VALVE
4	242.035.00.1	MAIN ADAPTER MODULE
5	242.037.00.1	ELECTRONICS MODULE
6	244.003.00.1	BRAIDED HOSE
7	244.004.00.1	SCREEN FILTER (2 PIECES)
8	242.032.00.1	ADAPTER FOR ANGLE STOP VALVE
9	241.062.00.1	FLEXIBLE HOSE (2 PIECES)
10	241.063.00.1	BACKFLOW PREVENTER & FILTER (2 PIECES OF EACH)